

# Home Care Technical Specification

## Grab Bar with Toilet Paper Holder

LR2352D

### Stock Numbers:

LR2352DBN – Grab Bar with Integrated Paper Holder  
Brushed Nickel

LR2352DOWB – Grab Bar with Integrated Paper Holder  
Old World Bronze

LR2352DCH – Grab Bar with Integrated Paper Holder  
Chrome

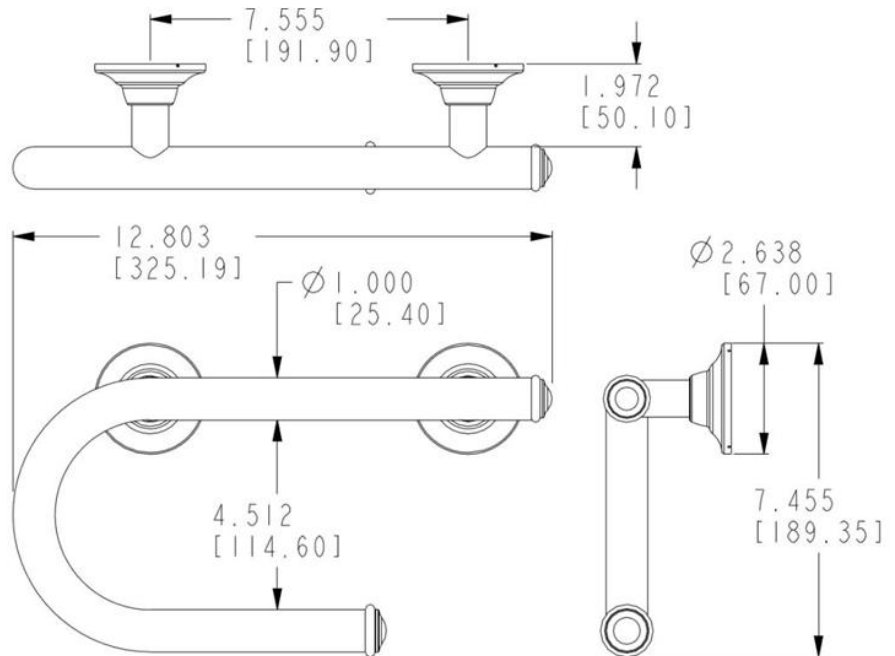
### Materials:

Grab Bar is made from Stainless Steel Construction. SecureMount anchors are made of POM.

### Compliance:

- Tested to 250 lbs. Weight Capacity

### Dimensions:



Stock Number: \_\_\_\_\_ Grab Bar with Integrated Toilet Paper Holder By Creative Specialties

25300 AL MOEN DRIVE • NORTH OLMS TED, OH 44070  
CORPORATE HEADQUARTERS: (800) 321-8809 • FAX: (800) 848-6636  
INTERNATIONAL: (440) 962-2000 • FAX: (440) 962-2726  
CUSTOMER SERVICE (USA): 800-882-0116 • FAX: (888) 379-2720  
WWW.MOEN.COM

©Copyright Creative Specialties International

Literature #BA1667