

# Home Care Technical Specification

## SecureMount Anchor

## SMA1000

### Stock Numbers:

- ❑ **SMA1000CH –SecureMount Anchors**  
Chrome Finish  
2 Anchors
- ❑ **SMA1000OWB –SecureMount Anchors**  
Old World Bronze Finish  
2 Anchors
- ❑ **SMA1001CH –SecureMount Anchors**  
Chrome Finish  
10 Anchors
- ❑ **SMA1005CH –SecureMount Anchors**  
Chrome Finish  
Single Anchor

### Materials:

SecureMount Anchor mounting plate is made of stainless steel.

SecureMount Anchor guide and anchor are made of POM.

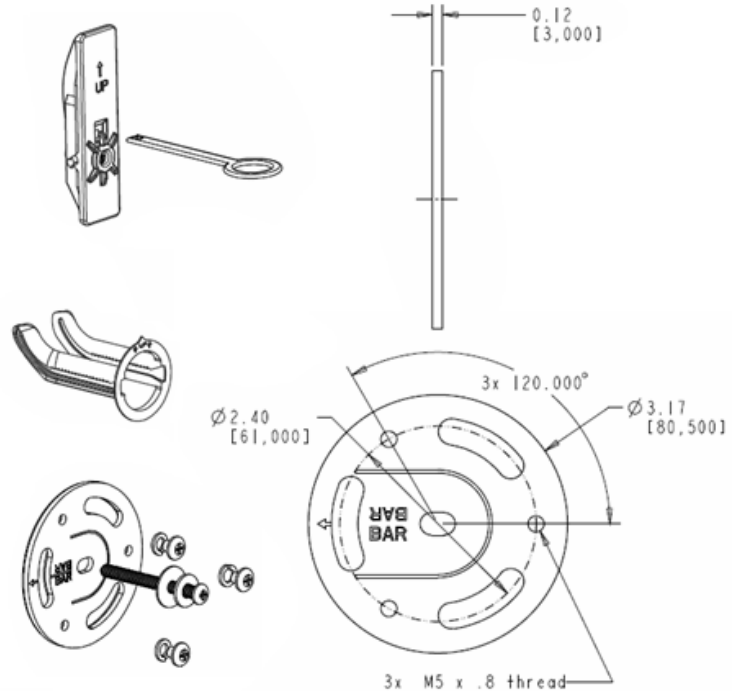
### Compliance:

- CSI SecureMount Anchors meet or exceed the applicable requirements of the following standards:  
ADA  
ANSI A117.1  
ASTM F446  
CSA B45  
CSA B651
- For use only when securely installed in approved substrates\* for persons **no more than 300lbs.**

\*Requires a 3½" space behind the wall and works in the following substrates

- 1/2" or 5/8" Dry Wall
- 1/2" or 5/8" Dry Wall with Tile
- 1/2" or 5/8" Dry Wall with Marble
- 1/8" or 1/4" Fiberglass Tub Surround

### Dimensions:



### Installation Instructions:

Direction for wall mounting installation:

1. Position grab bar on wall in desired location and mark around the outside of the flanges.
2. One at a time, center the mounting plate within the marked flanges, and mark the center hole for drilling.
3. Drill one 1¼" hole at each mounting location.
4. Insert guide sleeves into each hole in the wall. (Note: UP indicator must always point up regardless of grab bar orientation)
5. Connect pull tab to the secure mount anchor.
6. With pull tab up, insert the anchor into the hole in the wall.
7. Pull back on the pull tab, and disconnect it from the anchor.
8. Place mounting plate over the hole and secure with the anchor screw, and flat and rubber washers. (Note: Bar indicators should be facing in, align arrows)
9. Align the grab bar flanges to the secure mount anchor and secure with flange screws and split lock washer.

Directions for stud mounting installation:

1. Position grab bar on wall in desired location and mark around the outside of the flanges.
2. Determine stud center and drill one 1/8" pilot hole at each location.
3. Install wood screw supplied with grab bar.
4. Install the 3 additional wood screws through the grab bar flange into the elongated mounting plate slots.

**Stock Number:** \_\_\_\_\_ **SecureMount Anchor**  
**By Creative Specialties**

25300 AL MOEN DRIVE • NORTH OLMSTED, OH 44070  
CORPORATE HEADQUARTERS: (800) 321-8809 • FAX: (800) 848-6636  
INTERNATIONAL: (440) 962-2000 • FAX: (440) 962-2726  
CUSTOMER SERVICE (USA): 800-882-0116 • FAX: (888) 379-2720  
WWW.MOEN.COM

©Copyright Creative Specialties International

Literature #BA1387