

Towel Bar Hook Technical Specification

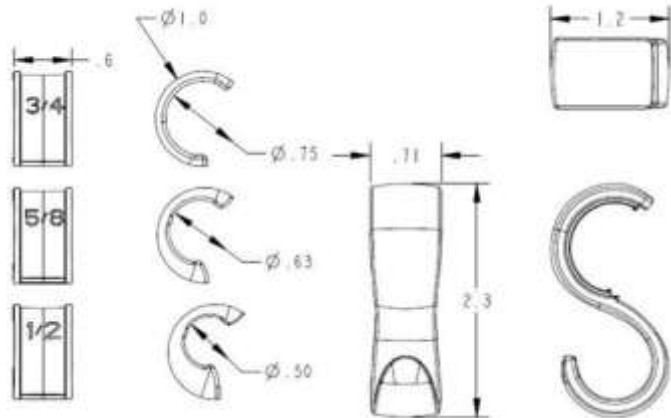
Towel Bar Hook

DN9203

Stock Numbers:

- ❑ DN9203BN – Towel Bar Hook
Brushed Nickel Finish
- ❑ DN9203CH– Towel Bar Hook
Chrome Finish
- ❑ DN9203OWB – Towel Bar
Hook
Old World Bronze Finish

Dimensions:



Materials:

Hook: Zinc

Rubber Insert: Thermal Plastic
Rubber

Installation Instructions:

1. Find the appropriate size (diameter) of your bar
2. Locate the rubber insert according to the size of your bar
3. Place the rubber insert as shown above
4. Place hook on towel bar and press until it snaps

Cleaning Instructions:

To preserve the fine finish of this product, clean only with a soft damp cloth. Dry well. Do not use commercial or abrasive cleaners.

Stock Number: _____ Towel Bar Hook
By Creative Specialties