

# Hotel / Motel Technical Specification

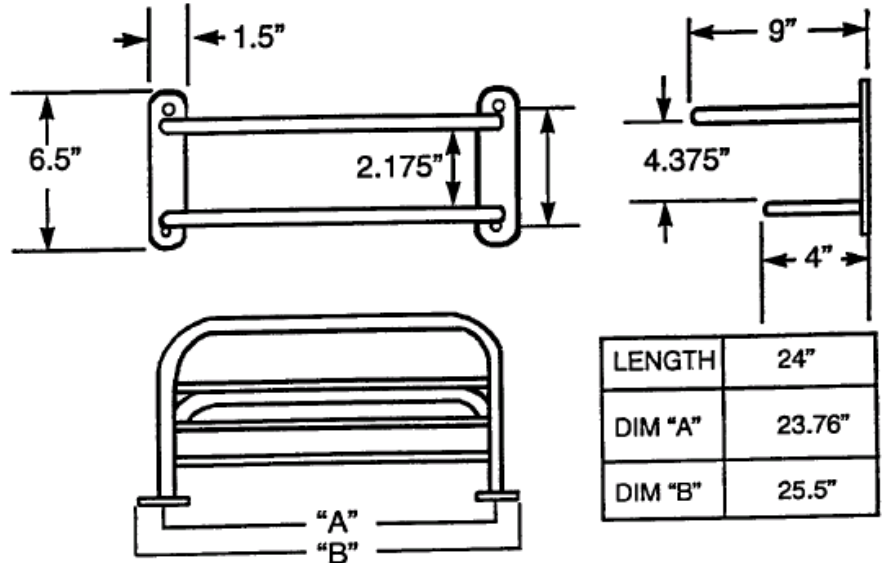
## Towel Shelf

# 5205

### Stock Numbers:

- 5205-610 – 24" Decorative Towel Shelf with Extra Bar  
Polished Chrome Finish

### Dimensions:



### Materials:

ALL CHROME BATH HARDWARE IS TRIPLE PLATED WITH COPPER, NICKEL AND CHROMIUM FOR LONG LASTING BEAUTY, AND MEET ASTM-B86 STANDARDS.

**Towel Shelf** wall flange is constructed of 17 gauge stamped brass. Shelf tubing and towel bar tubing is .035 (20 gauge) 3/4" O.D. brass tubing. Crossbars are .025 (23 gauge) 3/8" O.D. brass tubing. Tubing and escutcheon have a polished brass or triple plated polished chrome finish with a lacquer coat for added protection.

### Installation Instructions:

Assemble the towel bar and shelf to the wall flanges using the four screws and eight washers (provided). Then mount the wall flange at desired location using four 1 1/2" flathead nickel plated steel screws (provided).

Note: Wood blocking is preferable behind all wall surfaces. If wood blocking is not available, the following optional fasteners are suggested: Tile/Masonry – Plastic or lead anchors; Plaster/Drywall – Toggle bolts.

**Stock Number:** \_\_\_\_\_ **Decorative Towel Shelf w/ Bar**  
By Creative Specialties



25300 AL MOEN DRIVE • NORTH OLMSTED, OH 44070  
CORPORATE HEADQUARTERS: (800) 321-8809 • FAX: (800) 848-6636  
INTERNATIONAL: (440) 962-2000 • FAX: (440) 962-2726  
CUSTOMER SERVICE (USA): 800-882-0116 • FAX: (888) 379-2720  
WWW.MOEN.COM

©Copyright Creative Specialties International

Literature #BA1660