

Home Care Technical Specification

R8900P

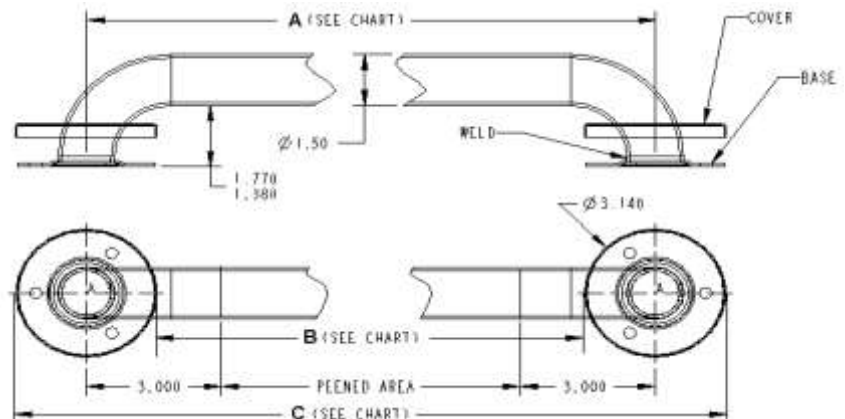
1 1/2" Peened Grab Bar – Concealed Screw

LR8900P

Stock Numbers:

- R8912P – 12" Grab Bar**
Stainless Steel Peened Finish
Concealed Screw Mounting
1 1/2" Diameter Bar
- R8916P, LR8916P – 16" Grab Bar**
Stainless Steel Peened Finish
Concealed Screw Mounting
1 1/2" Diameter Bar
- R8918P, LR8918P – 18" Grab Bar**
Stainless Steel Peened Finish
Concealed Screw Mounting
1 1/2" Diameter Bar
- R8924P, LR8924P – 24" Grab Bar**
Stainless Steel Peened Finish
Concealed Screw Mounting
1 1/2" Diameter Bar
- R8930P – 30" Grab Bar**
Stainless Steel Peened Finish
Concealed Screw Mounting
1 1/2" Diameter Bar
- R8932P, LR8932P – 32" Grab Bar**
Stainless Steel Peened Finish
Concealed Screw Mounting
1 1/2" Diameter Bar
- R8936P, LR8936P – 36" Grab Bar**
Stainless Steel Peened Finish
Concealed Screw Mounting
1 1/2" Diameter Bar
- R8942P, LR8942P – 42" Grab Bar**
Stainless Steel Peened Finish
Concealed Screw Mounting
1 1/2" Diameter Bar
- R8948P – 48" Grab Bar**
Stainless Steel Peened Finish
Concealed Screw Mounting
1 1/2" Diameter Bar

Dimensions:



	A	B	C
R8912P	12"	8.75	15.25
R8916P	16"	12.75	19.25
R8918P	18"	14.75	21.25
R8924P	24"	20.75	27.25
R8930P	30"	26.75	33.25
R8932P	32"	28.75	35.25
R8936P	36"	32.75	39.25
R8942P	42"	38.75	45.25
R8948P	48"	44.75	51.25

Materials:

1 1/2" Peened Grab Bar rods are formed from 20-gauge type-304 stainless steel tubing with a satin finish. 12-42" length is 20 gauge 48" length is 18 gauge

Compliance:

- ADA, ANSI, ASTM, CSA
- Tested to 500 lbs. pull

Installation Instructions:

1. Position unit on wall in desired location.
2. Mark mounting holes.
3. Drill starter holes.
4. Mount unit on wall using 2" screws (provided).
5. Snap flange covers into place.

Note: SecureMount Anchors are recommended for use in non-stud (hollow-wall) applications per installation instructions.

Stock Number: _____ Grab Bar
By Creative Specialties



25300 AL MOEN DRIVE • NORTH OLMSTED, OH 44070
CORPORATE HEADQUARTERS: (800) 321-8809 • FAX: (800) 848-6636
INTERNATIONAL: (440) 962-2000 • FAX: (440) 962-2726
CUSTOMER SERVICE (USA): 800-882-0116 • FAX: (888) 379-2720
WWW.MOEN.COM

©Copyright Creative Specialties International

Literature #BA1677