

Mason® Technical Specification

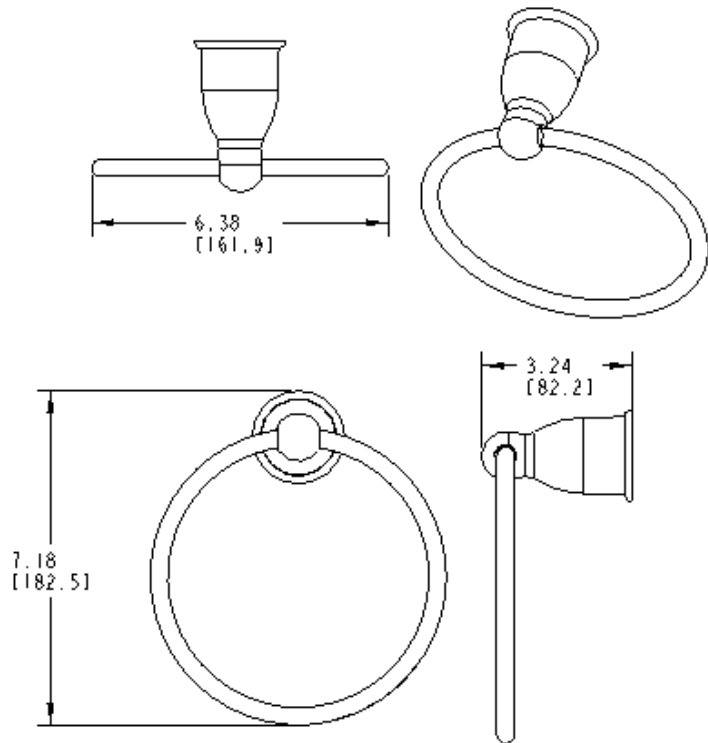
Towel Ring

YB8086

Stock Numbers:

- ❑ **YB8086CH – Towel Ring**
Chrome Finish
- ❑ **YB8086OWB – Towel Ring**
Old World Bronze Finish
- ❑ **YB8086PB – Towel Ring**
Polished Brass Finish
- ❑ **YB8086BC – Towel Ring**
Brushed Chrome Finish
- ❑ **YB8086SN – Towel Ring**
Satin Nickel Finish

Dimensions:



Materials:

Towel Ring post is constructed of zinc. Ring is aluminum.

Installation Instructions:

1. Locate position where towel ring should be installed.
2. Using 1/4" drill bit, drill one pilot hole.
3. Position mounting post to wall by inserting wall anchor into pilot hole and pressing firmly.
4. Make sure that locking tab on mounting post is facing down (6 o'clock).
5. Tighten wall anchor screw while holding mounting post firmly in place.
6. Attach towel ring by pressing firmly to mounting post until it clicks. (The square opening at the base of the post must be facing down to match-up with locking tab.)
7. Place spring roller into each post.

Cleaning Instructions:

To preserve the fine finish of this product, clean only with a soft damp cloth. Dry well. Do not use commercial or abrasive cleaners.

Stock Number: _____ **Towel Ring**
By Creative Specialties



25300 AL MOEN DRIVE • NORTH OLMSTED, OH 44070
CORPORATE HEADQUARTERS: (800) 321-8809 • FAX: (800) 848-6636
INTERNATIONAL: (440) 962-2000 • FAX: (440) 962-2726
CUSTOMER SERVICE (USA): 800-882-0116 • FAX: (888) 379-2720
WWW.MOEN.COM

©Copyright Creative Specialties International

Literature #BA1230