

Home Care Technical Specification

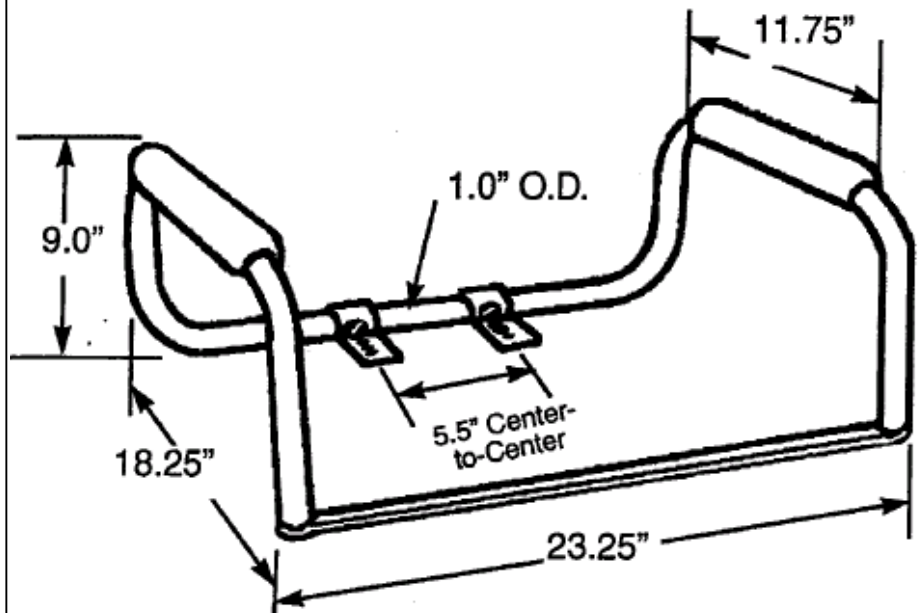
Toilet Safety Rail

DN7015

Stock Numbers:

- q **DN7015 – Toilet Safety Rail**
White
Photo Box Packaging with Handle

Dimensions:



Materials:

ASSEMBLY TESTED
TO CONFIRM ADA
COMPLIANCE



Toilet Safety Rail is made from anodized aluminum with a powder coated white finish. Armrests are high impact molded white polyethylene.

WARNING- Prevent Serious or Fatal Injury:

For use only by persons weighing up to 300lbs. Consult a health care professional for advice and instructions specific to your needs before use. Install in accordance with CSI's instructions. After installation, periodically check and maintain the condition of toilet seat bolts to ensure they are not damaged and that they clear the bottom of the toilet and securely fasten into the nut. If you have any concern about the length, condition or strength of the current toilet seat bolts and nuts, please replace them with an appropriate new set. Contact CSI immediately at 1-800-882-0116 if any components of the rail are damaged or missing, or if you have any questions concerning installation, use or maintenance of this product. Do not jump or stand on this product or modify it in any way.

FOR QUESTIONS OR ASSISTANCE WITH INSTALLATION, CONTACT CSI AT 1-800-882-0116.

Installation Instructions:

1. Attach rails, one at a time, to back center piece with brackets facing forward.
2. Connect flat bar to the front by fastening to open ends of rails with 1" slotted screws provided.
3. Remove toilet seat. Unscrew toilet seat bolts nuts at the rear underside of toilet bowl. Remove bolts, seat and lid.
4. Place assembled toilet safety rail directly on toilet bowl with flat bar to the front. Adjust so that there is a minimum of one inch from the flat bar to front of the bowl.
5. Place toilet lid and seat in position over toilet safety rail so that mounting holes of seat, safety rail and toilet are aligned. Insert existing toilet seat bolts and tighten bolt nuts.
6. Ensure that bolt is securely fastened into the nut.

Stock Number: _____ Toilet Safety Rail
By CSI Bath Furnishings



25300 AL MOEN DRIVE • NORTH OLMS TED, OH 44070
CORPORATE HEADQUARTERS: (800) 321-8809 • FAX: (800) 848-6636
INTERNATIONAL: (440) 962-2000 • FAX: (440) 962-2726
CUSTOMER SERVICE (USA): 800-882-0116 • FAX: (888) 379-2720
WWW.HOMECARE.MOEN.COM

©Copyright Creative Specialties International 2006

Literature # BA1389