

Home Care Technical Specification

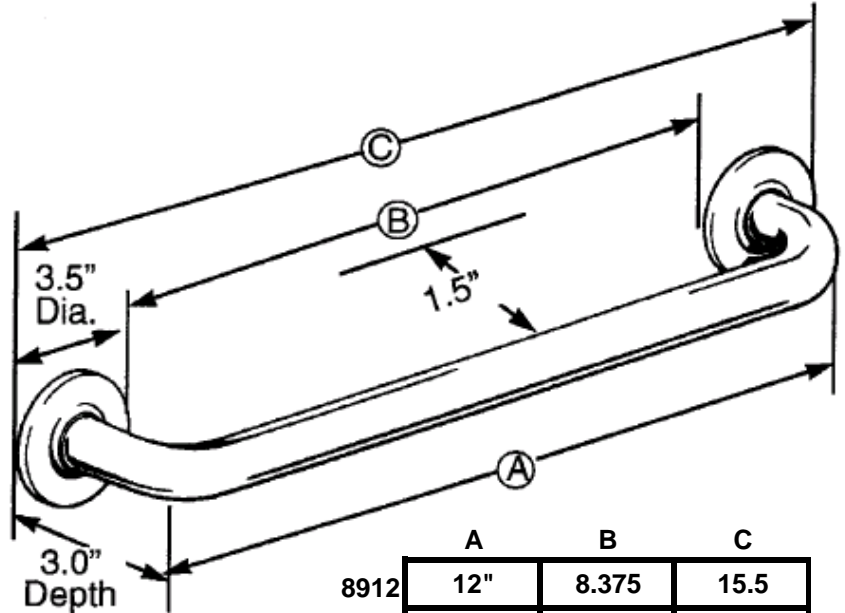
1 1/2" Grab Bars – Concealed Screw

8900

Stock Numbers:

- q **8912 – 12" Grab Bar**
Satin Finish
1 1/2" Bar, Concealed Screw Mounting
- q **R8918, R8918W – 18" Grab Bar**
Satin or White Finish
1 1/2" Bar, Concealed Screw Mounting
- q **R8924, R8924W – 24" Grab Bar**
Satin or White Finish
1 1/2" Bar, Concealed Screw Mounting
- q **DN8930, 8930W – 30" Grab Bar**
Satin or White Finish
1 1/2" Bar, Concealed Screw Mounting
- q **8932 – 32" Grab Bar**
Satin Finish
1 1/2" Bar, Concealed Screw Mounting
- q **R8936, R8936W – 36" Grab Bar**
Satin or White Finish
1 1/2" Bar, Concealed Screw Mounting
- q **8942, R8942W – 42" Grab Bar**
Satin or White Finish
1 1/2" Bar, Concealed Screw Mounting
- q **DN8948 – 48" Grab Bar**
Satin Finish
1 1/2" Bar, Concealed Screw Mounting

Dimensions:



	A	B	C
8912	12"	8.375	15.5
8918	18"	14.375	21.5
8924	24"	20.375	27.5
8930	30"	26.375	33.5
8932	32"	28.375	35.5
8936	36"	32.375	39.5
8942	42"	38.375	45.5
8948	48"	44.375	51.5

Materials:

1 1/2" Grab Bar rods are formed from 18-gauge (.049) type 304 stainless steel tubing with a satin or white powder coated finish.

Compliance:

- ADA, ANSI, ASTM, CSA
- Tested to 500 lbs. pull

Installation Instructions:

1. Position unit on wall in desired location.
2. Mark mounting holes.
3. Drill starter holes.
4. Mount unit on wall using 2 1/4" screws (provided).
5. Snap flange covers into place.

Note: SecureMount Anchors are recommended for use in non-stud (hollow-wall) applications.

Stock Number: _____ 1 1/2" Grab Bars
By Creative Specialties



25300 AL MOEN DRIVE • NORTH OLMS TED, OH 44070
CORPORATE HEADQUARTERS: (800) 321-8809 • FAX: (800) 848-6636
INTERNATIONAL: (440) 962-2000 • FAX: (440) 962-2726
CUSTOMER SERVICE (USA): 800-882-0116 • FAX: (888) 379-2720
WWW.SHOWHOUSE.MOEN.COM

©Copyright Creative Specialties International