

Sienna Technical Specification

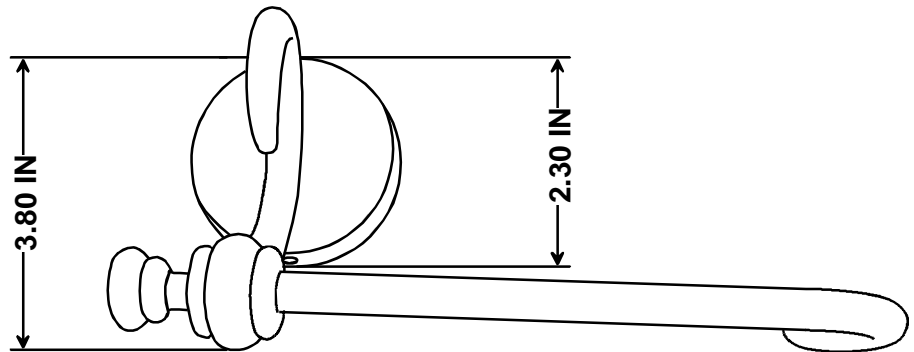
Paper Holder

DN4908

Stock Numbers:

- q **DN4908BK – Paper Holder**
Black Finish

Dimensions:



**3.50 IN DEEP
FROM FRONT
OF TP HOLDER
TO WALL**

Materials:

Paper Holder is constructed of wrought iron. Black finish is powder coated. Natural finish is painted and has an acrylic coating for added protection.

Installation Instructions:

1. Remove the mounting bracket from the body by loosening the setscrew.
2. Position the assembled unit on the wall where desired.
3. Lightly mark the outline of each base.
4. Center a mounting bracket within each base outline with "UP" facing you.
5. Mark the 2 small hole locations of each mounting bracket.
6. Drill a 5/16" hole at each mounting bracket hole location.
7. Fold ends of the plastic toggle together and insert into each 5/16" hole.
8. Tap anchor flush to the wall.
9. Insert plastic pin into anchor and lightly tap to expand anchor open. (Do not force or hammer pin)
10. Remove pin from anchor.
11. Place each mounting bracket over the wall anchors, lining up the holes.
12. Insert a screw through the mounting bracket slots into each wall anchor until tight. Do not over tighten.
13. Place product over the mounting bracket. Check and make sure that the base set screw hole is facing down.
14. Assemble the set screw to the base. Use the hex wrench included in hardware kit to tighten the set screw and secure the assembly to the mounting bracket.

Cleaning Instructions:

To preserve the fine finish of this product, clean only with a soft damp cloth. Dry well. Do not use commercial or abrasive cleaners.

Stock Number: _____ **Toilet Paper Holder**
By CSI Bath Furnishings