

# Iso Technical Specification

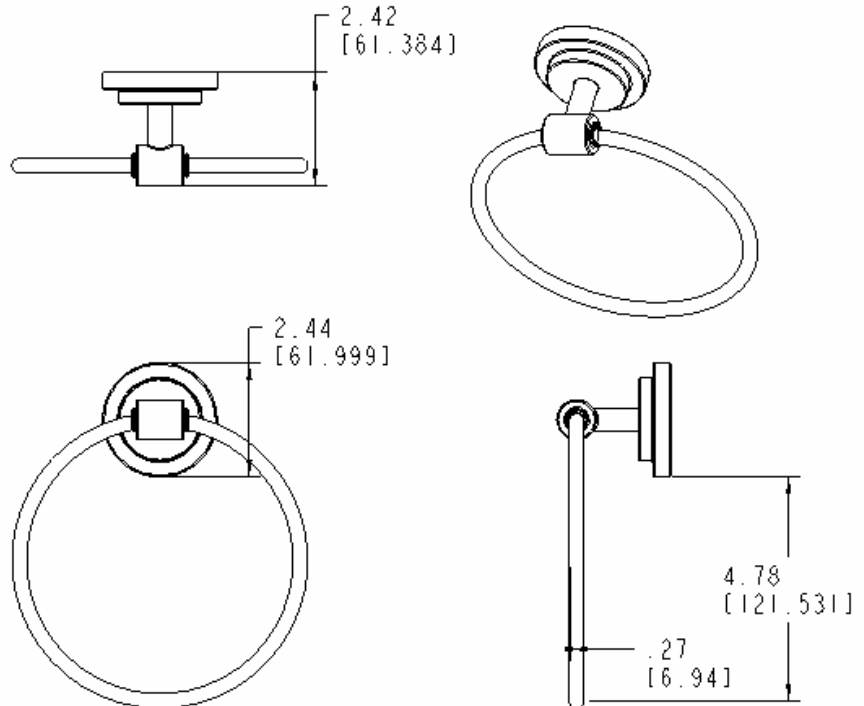
## Towel Ring

# DN0786

### Stock Numbers:

- q **DN0786CH – Towel Ring**  
Chrome Finish

### Dimensions:



### Materials:

**Towel Ring** post is constructed of zinc. Ring is aluminum.

### Installation Instructions:

Directions below are for installation into drywall. If installing product into a stud, use the wood screws and washers provided only.

1. Position the EZ 2 Install Mounting System wall bracket on the wall at desired location with the word "UP" facing you and upright; mark both vertical hole locations checking to ensure that the vertical holes are level
2. Drill 2 holes as marked using 5/16" drill bit
3. Fold ends of the plastic toggle anchor together and insert into each hole in the wall.
4. Lightly tap anchors until flush with the wall.
5. One at a time, insert plastic pin into each anchor and lightly tap to activate anchor. Remove pin and repeat on other anchor.
6. Secure the EZ 2 Install wall bracket to the wall by inserting 2 screws through the wall bracket holes and into the anchors. Tighten screws.
7. Place product post over EZ 2 Install wall bracket and slide down to lock into place.

### Cleaning Instructions:

To preserve the fine finish of this product, clean only with a soft damp cloth. Dry well. Do not use commercial or abrasive cleaners.

**Stock Number:** \_\_\_\_\_ **Towel Ring**  
By Creative Specialties



25300 AL MOEN DRIVE • NORTH OLMSTED, OH 44070  
CORPORATE HEADQUARTERS: (800) 321-8809 • FAX: (800) 848-6636  
INTERNATIONAL: (440) 962-2000 • FAX: (440) 962-2726  
CUSTOMER SERVICE (USA): 800-882-0116 • FAX: (888) 379-2720  
WWW.CSI.MOEN.COM

©Copyright Creative Specialties International

Literature #BA1403