

CYCLONE[®] Xi[™]

96% THERMAL EFFICIENCY VERSATILE POWER DIRECT VENT

The Cyclone Xi is a light-duty, power direct vent, fully condensing commercial gas water heater with an internal helical heat exchanger. This helical heat exchanger helps Cyclone Xi achieve 96% thermal efficiency and deliver outstanding hot water output.

ENERGY STAR[®] QUALIFIED

HELICAL INTERNAL HEAT EXCHANGER

- Completely surrounded by water in tank, provides much greater heat transfer surface than standard straight flue tube
- Operates at 96% thermal efficiency, which saves money on operating costs, increases hot water output compared to standard efficiency water heaters
- Minimizes standby losses by trapping heat in the tank
- Spiral heat exchanger reduces the accumulation of lime scale, to help maintain higher efficiency performance over time

VERSATILE POWER DIRECT VENT DESIGN

- Uses inexpensive PVC, CPVC, ABS or polypropylene pipe. Canadian installations require ULC S636 approved PVC or CPVC pipe for venting. Can be vented vertically thru-the-roof or horizontally thru-the-wall – 2" pipe, vents up to 45 equivalent feet – 3" pipe, vents up to 128 equivalent feet
- Optional concentric vent and sidewall termination kits available

CONDENSING DESIGN

- 96% efficient condensing design
- Equipped with condensate drain tee

SIDE-MOUNTED HOT AND COLD RECIRCULATING TAPS

- Allows Cyclone Xi to be installed as part of combination space heating/water heating applications
- Plugs for the recirculating taps are factory installed

ADVANCED ELECTRONIC CONTROL

- Large LCD display
- Precise temperature control
- Advanced diagnostics
- iCOMM[™] Compatible and can be monitored from remote locations. Call 1.888.WATER02 for more information.



PERMAGLAS[®] ULTRA COAT[™] GLASS LINING

- A. O. Smith exclusive process provides superior protection against corrosion
- Protects all interior tank surfaces including inside and outside of the helical heat exchanger

HEAVY-DUTY ANODIC PROTECTION

- Provides even more protection against corrosion

AVAILABLE IN NATURAL GAS AND PROPANE

TOP-FIRED LOW NOX GREEN CHOICE[®] GAS BURNER

- Complies with California SCAQMD Rule 1146.2 and other Air Quality Management Districts with similar NOx emission requirements of 14 ng/j or 20 ppm

CSA CERTIFIED AND ASME RATED T&P RELIEF VALVE

MAXIMUM HYDROSTATIC WORKING PRESSURE: 150 PSI

CODES AND STANDARDS

- Design-certified by CSA International according to ANSI Z21.10.3-CSA 4.3 standards
- These models meet the thermal efficiency and standby loss requirements of the U.S. Department of Energy and current edition of ASHRAE/IESNA 90.1
- Approved for Canada

THREE-YEAR LIMITED TANK AND ONE-YEAR PARTS WARRANTY

- For complete information, consult written warranty or contact your local sales rep

BTX-100 and BTXL-100



Model Shown BTX-100 Series 130/131





Commercial Gas Water Heaters

CYCLONE[®] Xi[™]

96% THERMAL EFFICIENCY
VERSATILE POWER DIRECT VENT

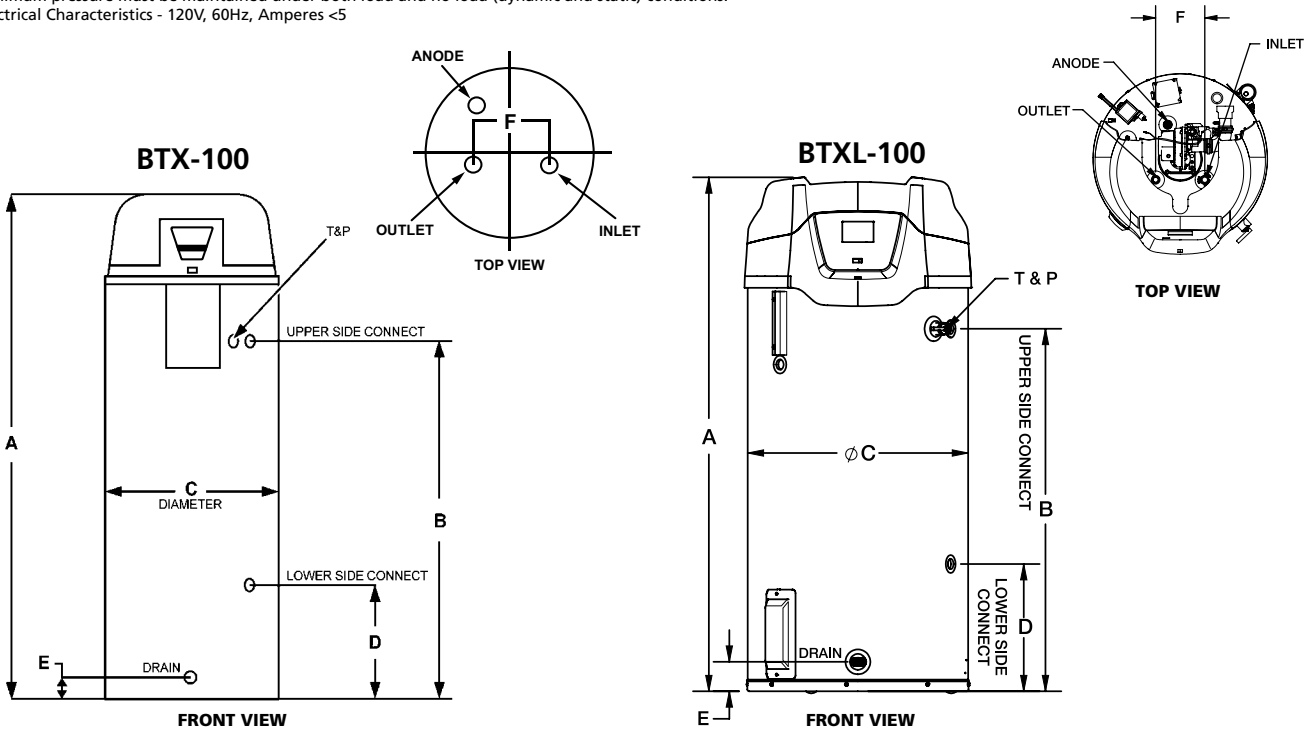
SPECIFICATIONS

MODEL NUMBER	BTU INPUT PER HOUR	GALLONS (LITRES)	RECOVERY GPH (LPH)			SHIPPING WEIGHT lb (kg)
			40°F / 22°C RISE	100°F / 56°C RISE	140°F / 78°C RISE	
BTX-100	100,000	50 (189)	291 (1102)	116 (439)	83 (314)	255 (116)
BTXL-100	100,000	75 (284)	291 (1102)	116 (439)	83 (314)	382 (173)

DIMENSIONS IN INCHES (CM)

MODEL NUMBER	A	B	C	D	E	F
BTX-100	66-3/4 (169.5)	49-1/4 (125.1)	22 (55.9)	15-3/4 (40)	3 (7.6)	8 (20.3)
BTXL-100	64-3/4 (164.4)	45-5/8 (116)	27-3/4 (70.5)	16 (40.6)	3-3/4 (9.4)	8 (20.3)

Available in Propane (LP) Gas
 Inlet and outlet connections: 3/4" male for BTX-100 and 1" for BTXL-100
 Circulation loop connections: 3/4" female
 Gas inlet: 1/2"
 Maximum Supply Pressure: 14 inches W.C. (3.48kPa)
 Minimum Supply Pressure for Natural Gas: 3.50 inches W.C. (.87kPa)
 Minimum Supply Pressure for Propane Gas: 8.00 inches W.C. (1.99kPa)
 Minimum pressure must be maintained under both load and no load (dynamic and static) conditions.
 Electrical Characteristics - 120V, 60Hz, Amperes <5



SUGGESTED SPECIFICATION

(Natural or Propane) gas water heater(s) shall be A. O. Smith Cyclone Xi model with 96% thermal efficiency with storage capacity _____; an input rating of 100,000 BTUs per hour, a recovery rating of 116 gallons per hour at 100°F rise and a maximum hydrostatic working pressure of 150 psi. Water heater(s) shall be of power direct vent design, using 2" or 3" PVC, CPVC, ABS or polypropylene pipe for horizontal and/or vertical vent runs. Water heater(s) shall have: 1: Seamless, glasslined steel tank construction and a spiral-shaped heat exchanger placed entirely inside the tank, which shall be glasslined on the flue gas side to protect against acidic condensate. 2: Advanced electronic control w/ LCD display and actual diagnostic. 3: A 3-year limited warranty against tank leaks. Water heater(s) shall meet the thermal efficiency and standby loss requirements of the U.S. Department of Energy and current edition of ASHRAE/IESNA 90.1 and be design-certified by UL (Underwriters Laboratories) according to ANSI Z21.10.3-CSA 4.3 standards governing storage tank water heaters. Water heater should incorporate the iCOMM™ system connection for remote monitoring, leak detection and fault alert.

For Technical Information and Automated Fax Service, call 800-527-1953. A. O. Smith reserves the right to make product changes or improvements without prior notice.