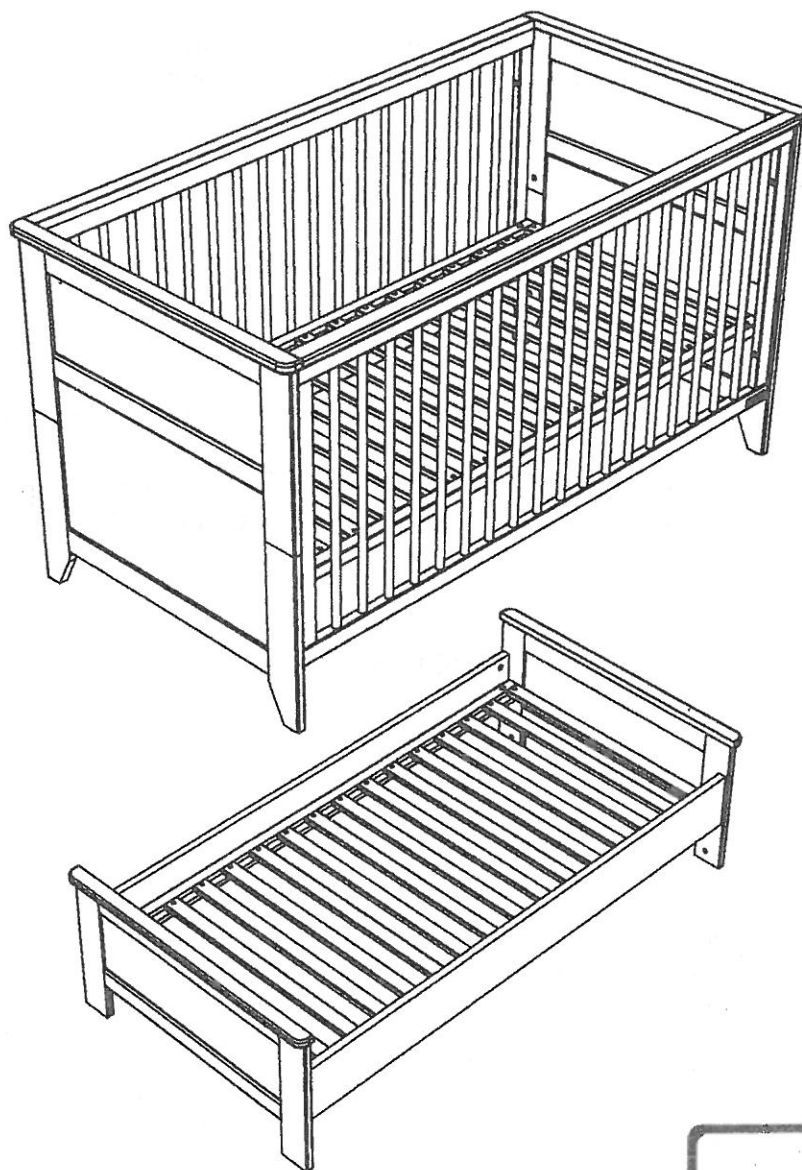


STRATFORD

FIXING INSTRUCTIONS

STRTFORD / Cot bed



IMPORTANT!
RETAIN FOR FUTURE
REFERENCE
READ CAREFULLY

Lollipop
Lane

Important notes

Do not discard any packaging until you have checked the parts against the list below. Please take a few minutes to read through the assembly instructions. Unpack your cot bed carefully onto a soft level surface such as a carpeted floor. Familiarise yourself with the parts by comparing them with the checklist provided below.

The recommended mattress size for this cot bed is 140 x 70 cm.
The Vanilla cot bed is designed to be used from birth to approximately 4 years.

The base can be fixed in 3 positions. The lowest position being the safest (refer to safety notes). The cot can be converted into a toddler size bed (approximately from 18 months to 4 years of age).



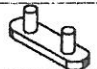

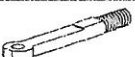





Please be careful when moving cot-bed ends.
The bottom section may separate from the top if not held in place.

There is a line engraved on each of the cot bed sides. These should face the inside of the cot bed. These lines determine the maximum height of the mattress when the base is in the highest position. (refer to safety notes).

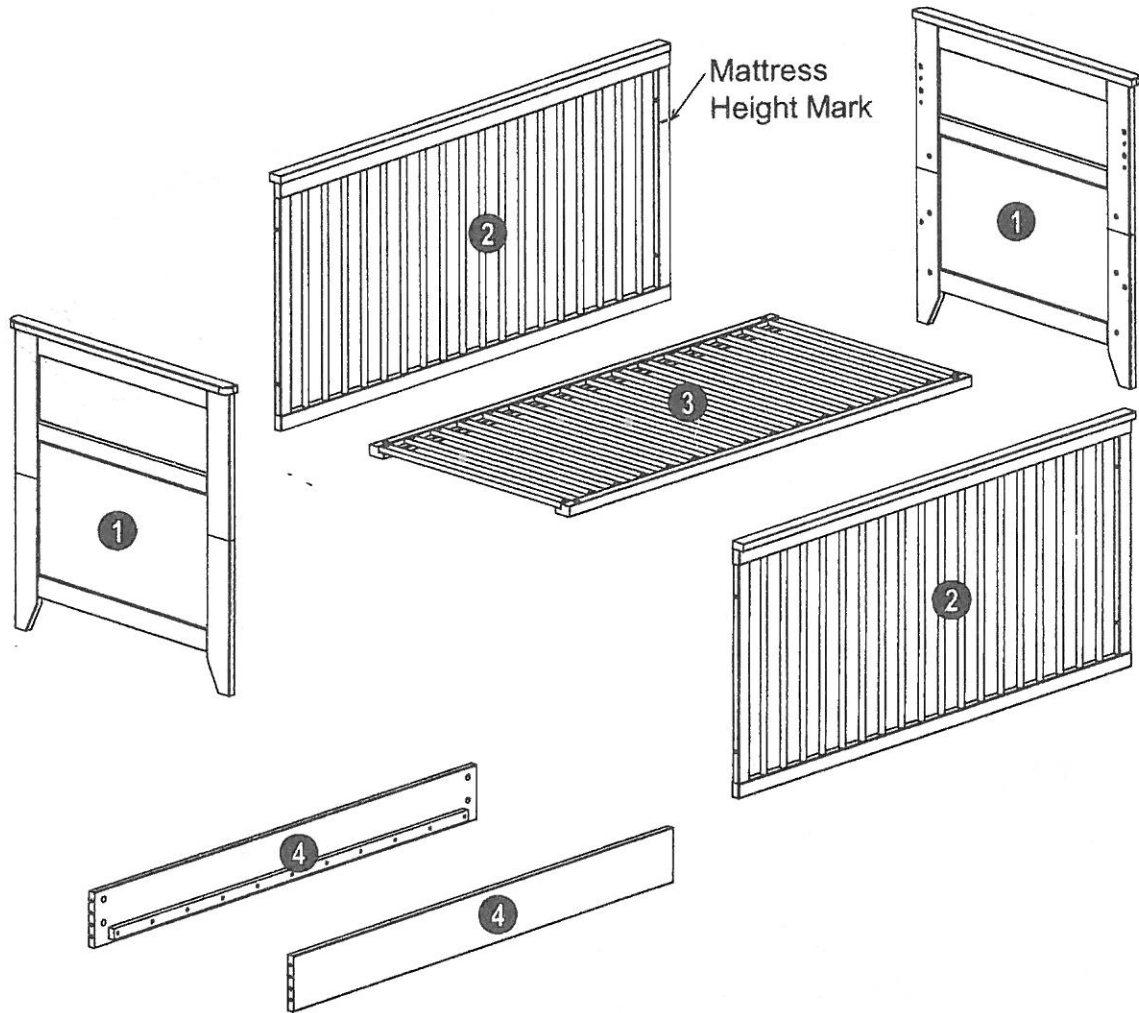
Please make sure that all assembly fittings shall always be correctly tightened and checked regularly.

This cotbed conforms to BSEN716-1 2008 Safety Standards for cots
This bed conforms to BS 8509:2008+A1:2011 Safety Standards for Childrens Beds

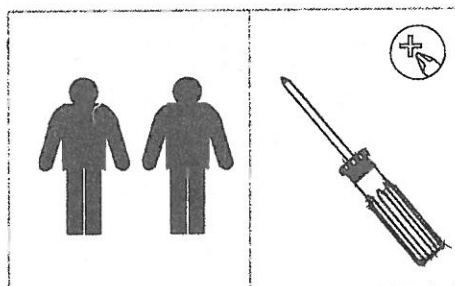
Parts checklist

Ref	Part	Description	Size	Qty
A		Barrel bolt	34mm	8
B		Cam	Dia 15mm	8
C		Adjustable Feet		4
D		Dowel	Dia 8 x 35mm	12
E		Mattress base bolt		4
F		Long bolt	M6 x 45mm	8
G			M6 x 40mm	4
H			M6 x 25mm	4
I		Allen Key		1
J		Capping nut		4

Parts checklist



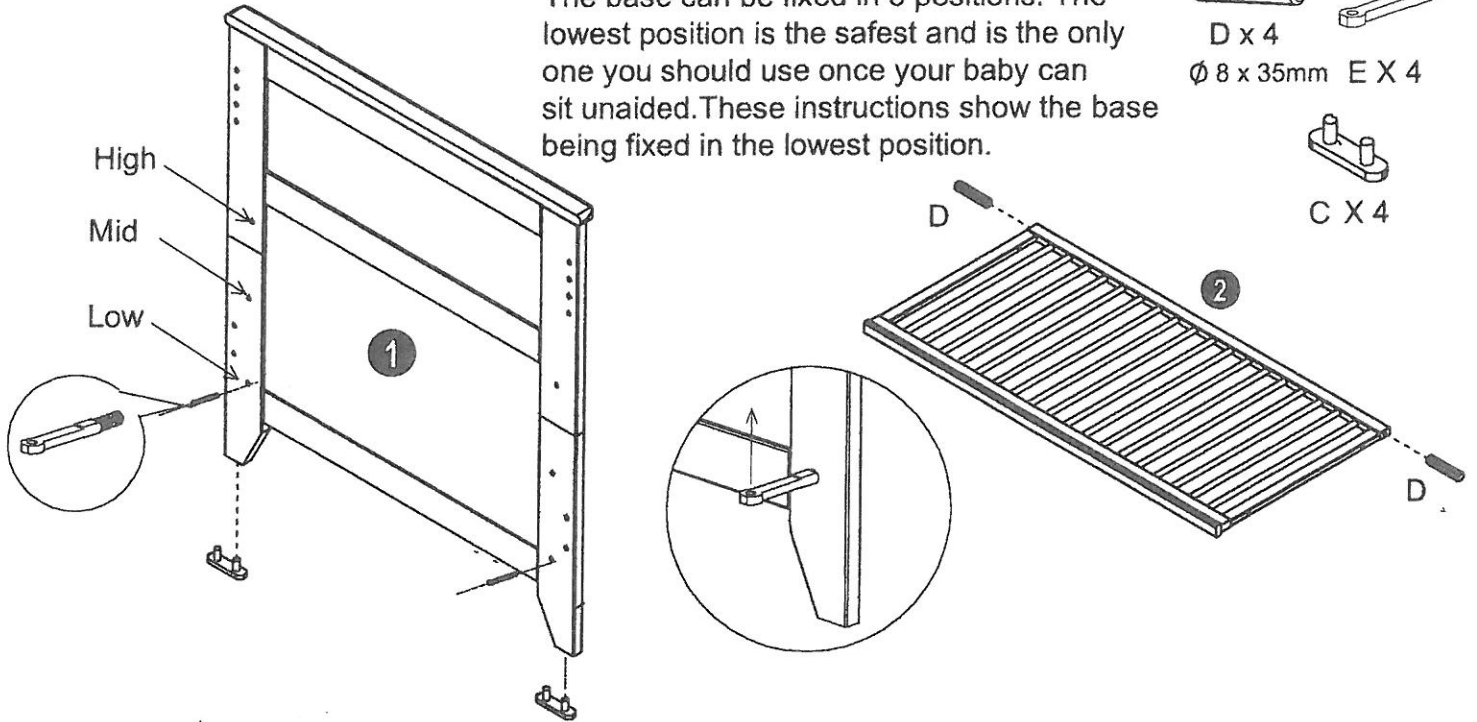
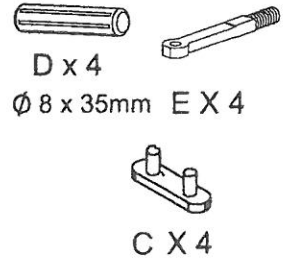
Item	Name	Qty
1	Cot end	2
2	Side rail	2
3	Mattress base	1
4	Bed side rail	2



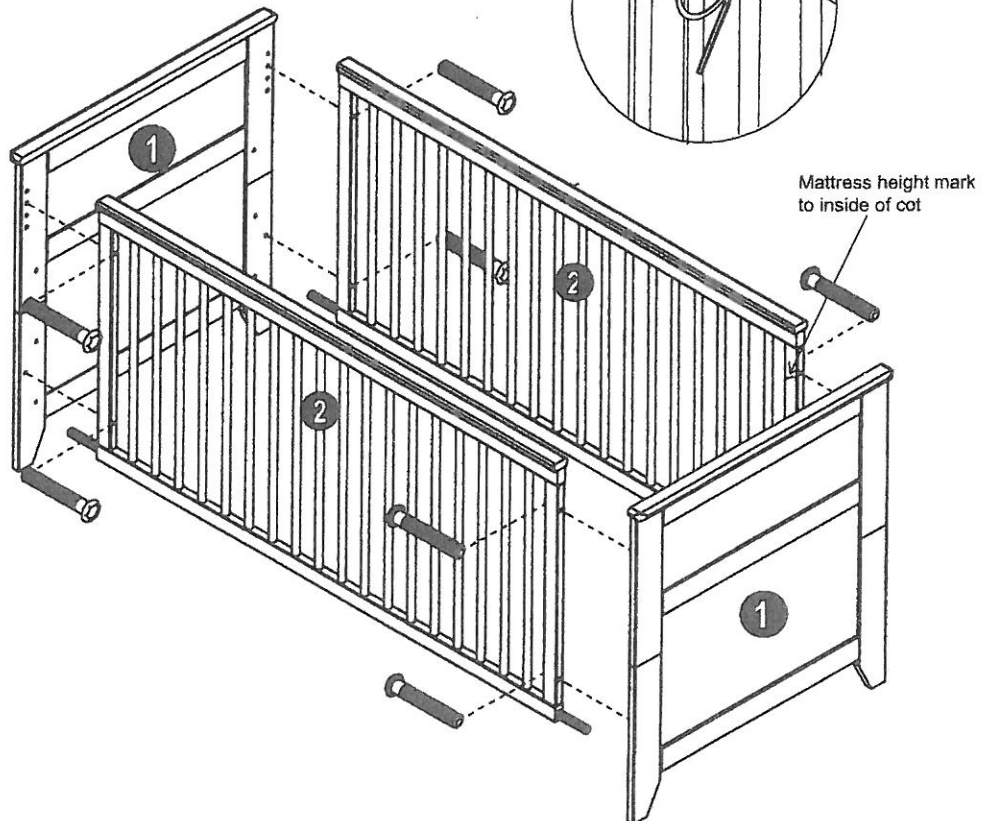
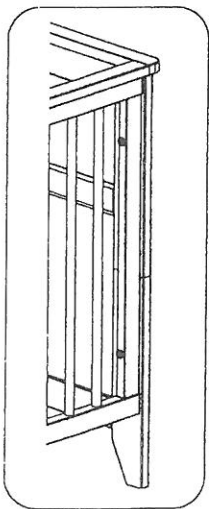
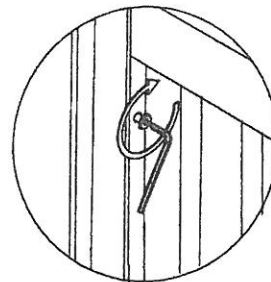
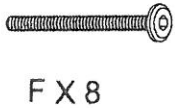
Assembly

1. Attaching the bed base fixings to bed ends.

The base can be fixed in 3 positions. The lowest position is the safest and is the only one you should use once your baby can sit unaided. These instructions show the base being fixed in the lowest position.



2. Attaching the side rails to the ends.



Assembly

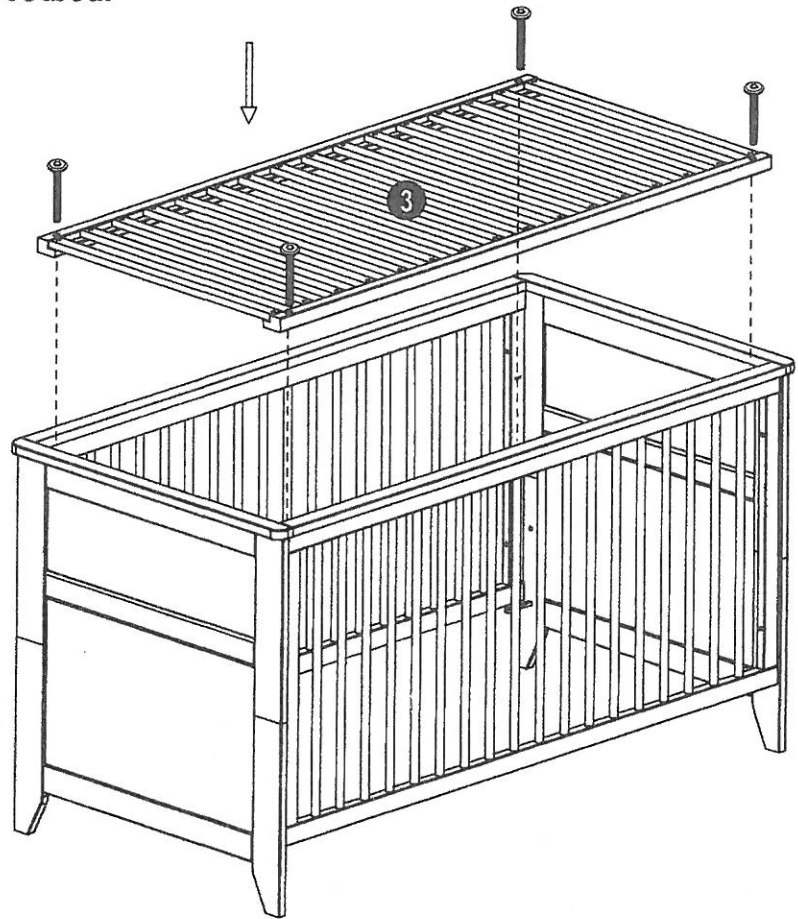
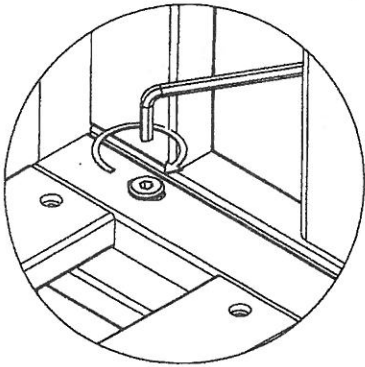
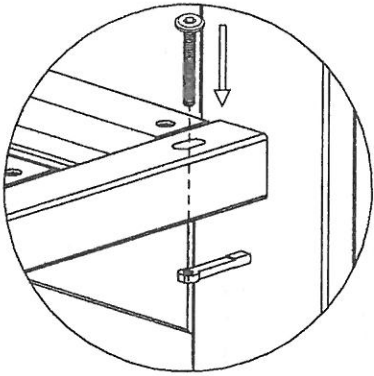
3. Attaching the bed base to the cotbed.



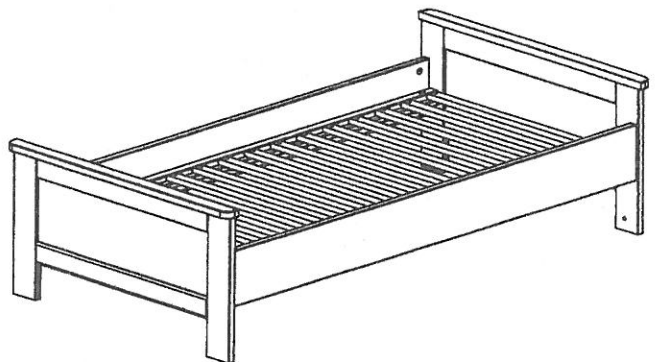
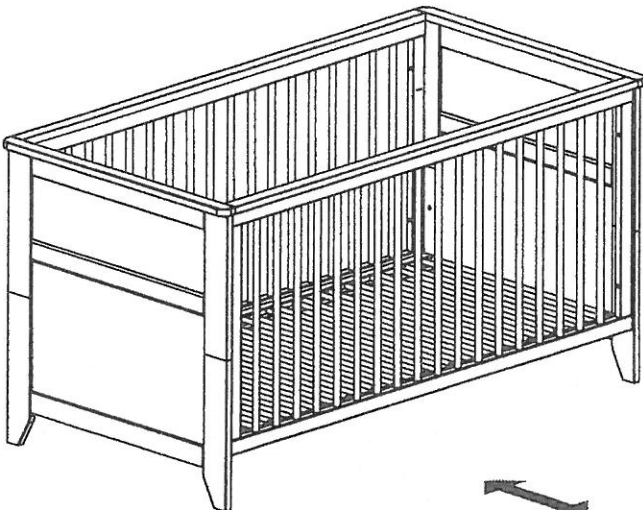
G X 4



I X 1

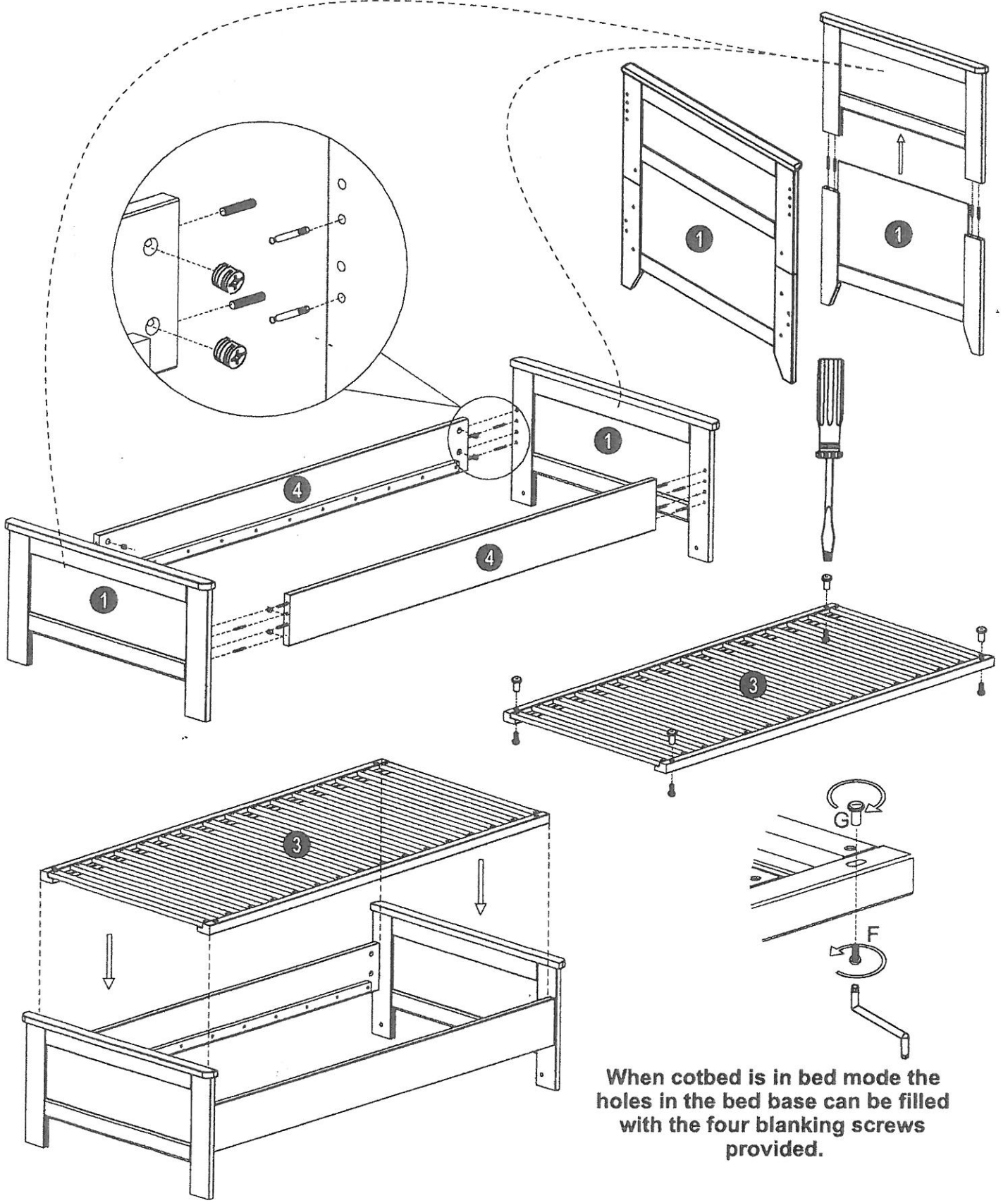


Please keep all parts and fixings that are not used in a safe place. You will need them to convert the cot into the toddler bed.



Assembly

4. Changing the cot into a bed.



When cotbed is in bed mode the holes in the bed base can be filled with the four blanking screws provided.

Care and Safety

SAFETY NOTES :

Excessive chewing may damage the wood and cause splintering. If any part is damaged, stop using the cot bed until the correct replacement part has been obtained from Izziwotnot. Do not allow children to climb on the furniture. The safety of your child is your responsibility. Before use, please ensure each item of furniture is on a stable, level surface.

Never use the item of furniture if any parts are broken or missing.

To avoid the risk of suffocation, keep all plastic bags and packaging out of reach of babies and young children.

All assembly fittings should always be tightened properly. Care should be taken that no fittings are loose, because the child could trap parts of the body or clothing which could pose a risk of strangulation.

Warning: Be aware of the risk of open fire and other sources of strong heat, such as electric bar fires, gas fires, etc. in the near vicinity of the cot.

Warning: Do not use the cot if any part is broken, torn or missing and use only spare parts approved by the manufacturer.

Warning: Do not leave anything in the cot or place the cot close to another product, which could provide a foothold or present a risk of suffocation or strangulation, e.g. strings, blind/curtain cords, etc.

Warning: Do not use more than 1 mattress in the cot.

The lowest base position is the safest and should always be used as soon as baby is old enough to sit up.

The thickness of the mattress chosen must not reduce the internal depth (from mattress surface to top of the side) to less than 500mm with the base in the lowest position or 200mm with the base in the highest position. The cot bed sides have an engraved line on the inside indicating this height.

The mattress to be used with this cot should be no more than 30mm shorter or narrower than the internal length or width of the cot bed.

Never pivot or drag the item of furniture when moving. The item of furniture must always be lifted by at least two people.

To prevent injury from falls, when a child is able to climb out of the cot the cot shall no longer be used for that child.

Children are likely to play, bounce, jump and climb on beds, therefore the child's bed should not be placed too close to other furniture or windows, and should be placed either tight to any wall or have a gap of 300mm between the wall and the side of the bed.

WARNING : Do not place this child's bed near heat sources, windows and other furniture.

CARE OF YOUR PRODUCT :

Periodically check all fittings to ensure that none have come loose. Any loose fittings must be tightened using the correct tool.

Your cot bed can be cleaned by wiping with a damp cloth and drying with a soft dry cloth. Never clean with abrasives, ammonia based, bleach based or spirit type cleaners.

Take care when handling or moving the cot bed. Careless handling can damage wooden furniture.

CARE OF YOUR PRODUCT

Periodically check all fittings to ensure that none have come loose. Any loose fittings must be tightened using the correct tool.

Your cot bed can be cleaned by wiping with a damp cloth and drying with a soft dry cloth.

Never clean with abrasives, ammonia based, bleach based or spirit type cleaners.

Take care when handling or moving the cot bed. Careless handling can damage wooden furniture.

Lollipop Lane Ltd, Units 39/40
Oakhill Industrial Estate
Devonshire Road
Walkden
Manchester M28 3PT
Customer Service: 01204 709333