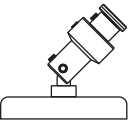
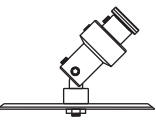
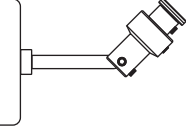
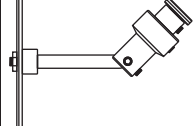


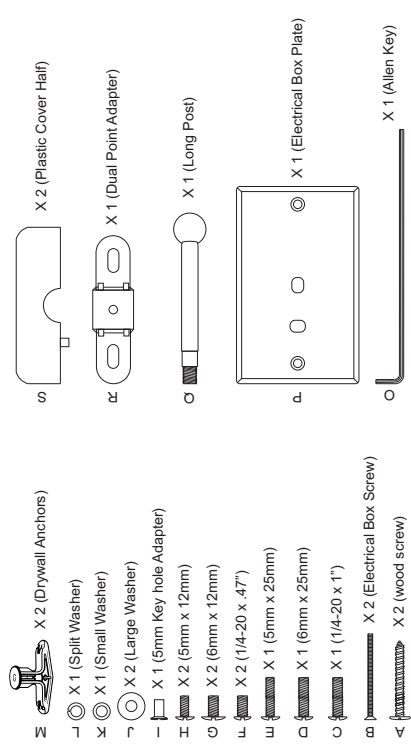
AM-20 UNIVERSAL SPEAKER MOUNT

The AM-20 Speaker Mount has been designed to offer 4 different configurations for mounting home theater speakers and can be used as a wall or ceiling mount. It is pre assembled in the Standard Wall Mount Configuration (A) shown, but can be assembled to any of the 3 additional configurations (B,C,D) shown. Just select the configuration best suited for your application and follow the assembly instructions on pages 2-4.

The AM-20 can support speakers up to 12 lbs (5.44kg) in all configurations and offers a full tilt and swivel adjustability.

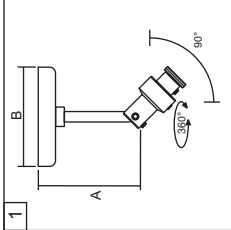
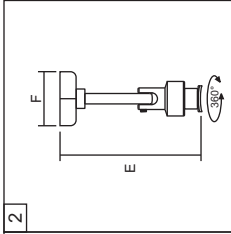
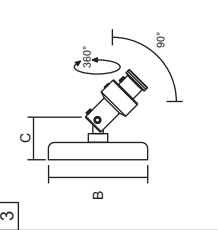
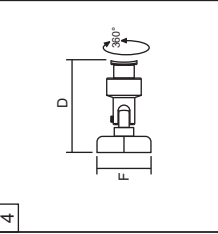
A	Standard Wall Mount Configuration For mounting to solid wall surfaces such as wood stud, drywall or masonry (concrete).	
B	Electrical Box Wall Mount Configuration For mounting to a standard single gang electrical box located on a wall in pre-wired homes.	
C	Standard Ceiling Mount Configuration For mounting to solid ceiling surfaces such as wood stud, drywall or masonry (concrete).	
D	Electrical Box Ceiling Mount Configuration For mounting to a standard single gang electrical box located on a ceiling in pre-wired homes.	

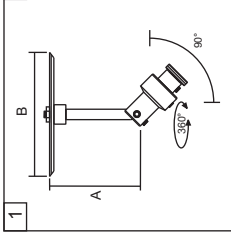
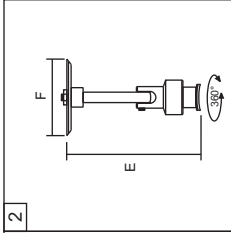
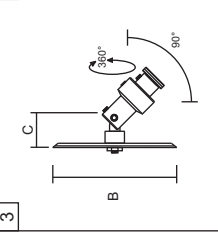
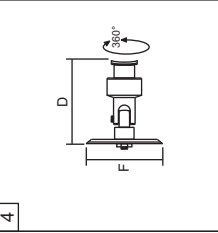
PARTS



NOTICE!

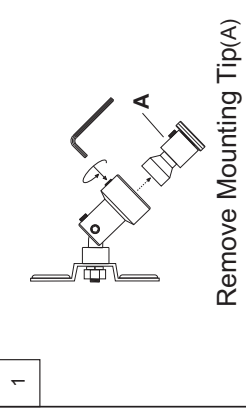
If you have any questions on the installation, assembly, or have missing or damaged parts, please contact our support team at (865) 671-2020 Monday-Friday 9:30a - 5:30p or by email 24/7 at sales@pinpointmarketinginc.com.

		<table border="1"> <tr><td>A</td><td>3.66"</td><td>93.0mm</td></tr> <tr><td>B</td><td>3.62"</td><td>92.0mm</td></tr> <tr><td>C</td><td>1.37"</td><td>35.0mm</td></tr> <tr><td>D</td><td>3.42"</td><td>87.0mm</td></tr> <tr><td>E</td><td>5.51"</td><td>140.0mm</td></tr> <tr><td>F</td><td>1.96"</td><td>50.0mm</td></tr> </table>	A	3.66"	93.0mm	B	3.62"	92.0mm	C	1.37"	35.0mm	D	3.42"	87.0mm	E	5.51"	140.0mm	F	1.96"	50.0mm
A	3.66"	93.0mm																		
B	3.62"	92.0mm																		
C	1.37"	35.0mm																		
D	3.42"	87.0mm																		
E	5.51"	140.0mm																		
F	1.96"	50.0mm																		
		<table border="1"> <tr><td>A</td><td>4.05"</td><td>103.0mm</td></tr> <tr><td>B</td><td>4.52"</td><td>115.0mm</td></tr> <tr><td>C</td><td>1.18"</td><td>30.0mm</td></tr> <tr><td>D</td><td>3.30"</td><td>84.0mm</td></tr> <tr><td>E</td><td>5.31"</td><td>135.0mm</td></tr> <tr><td>F</td><td>2.83"</td><td>72.0mm</td></tr> </table>	A	4.05"	103.0mm	B	4.52"	115.0mm	C	1.18"	30.0mm	D	3.30"	84.0mm	E	5.31"	135.0mm	F	2.83"	72.0mm
A	4.05"	103.0mm																		
B	4.52"	115.0mm																		
C	1.18"	30.0mm																		
D	3.30"	84.0mm																		
E	5.31"	135.0mm																		
F	2.83"	72.0mm																		

		<table border="1"> <tr><td>A</td><td>4.05"</td><td>103.0mm</td></tr> <tr><td>B</td><td>4.52"</td><td>115.0mm</td></tr> <tr><td>C</td><td>1.18"</td><td>30.0mm</td></tr> <tr><td>D</td><td>3.30"</td><td>84.0mm</td></tr> <tr><td>E</td><td>5.31"</td><td>135.0mm</td></tr> <tr><td>F</td><td>2.83"</td><td>72.0mm</td></tr> </table>	A	4.05"	103.0mm	B	4.52"	115.0mm	C	1.18"	30.0mm	D	3.30"	84.0mm	E	5.31"	135.0mm	F	2.83"	72.0mm
A	4.05"	103.0mm																		
B	4.52"	115.0mm																		
C	1.18"	30.0mm																		
D	3.30"	84.0mm																		
E	5.31"	135.0mm																		
F	2.83"	72.0mm																		
		<table border="1"> <tr><td>A</td><td>4.05"</td><td>103.0mm</td></tr> <tr><td>B</td><td>4.52"</td><td>115.0mm</td></tr> <tr><td>C</td><td>1.18"</td><td>30.0mm</td></tr> <tr><td>D</td><td>3.30"</td><td>84.0mm</td></tr> <tr><td>E</td><td>5.31"</td><td>135.0mm</td></tr> <tr><td>F</td><td>2.83"</td><td>72.0mm</td></tr> </table>	A	4.05"	103.0mm	B	4.52"	115.0mm	C	1.18"	30.0mm	D	3.30"	84.0mm	E	5.31"	135.0mm	F	2.83"	72.0mm
A	4.05"	103.0mm																		
B	4.52"	115.0mm																		
C	1.18"	30.0mm																		
D	3.30"	84.0mm																		
E	5.31"	135.0mm																		
F	2.83"	72.0mm																		

SPEAKER MOUNT CONFIGURATION ASSEMBLY

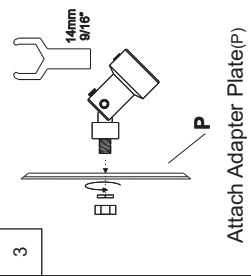
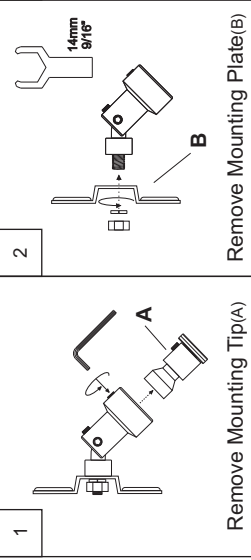
A STANDARD WALL MOUNT



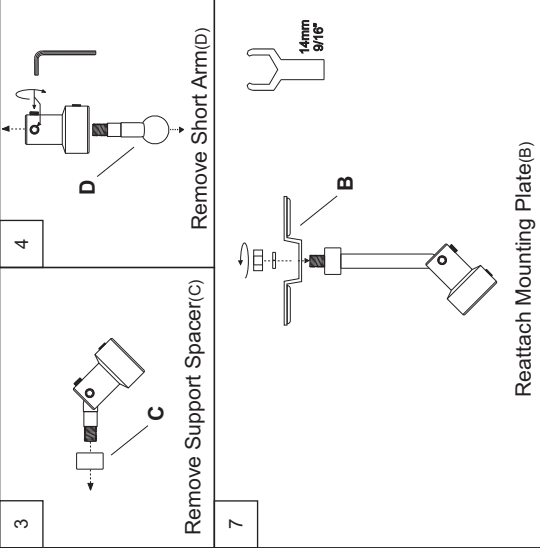
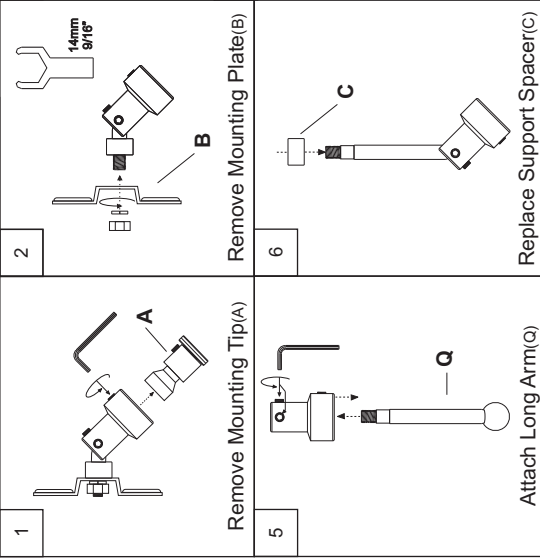
Choose the mounting configuration needed for your application from the diagrams on this page then continue to the next page.

Note: Over tightening the set screws may cause cross threading or stripped threads.

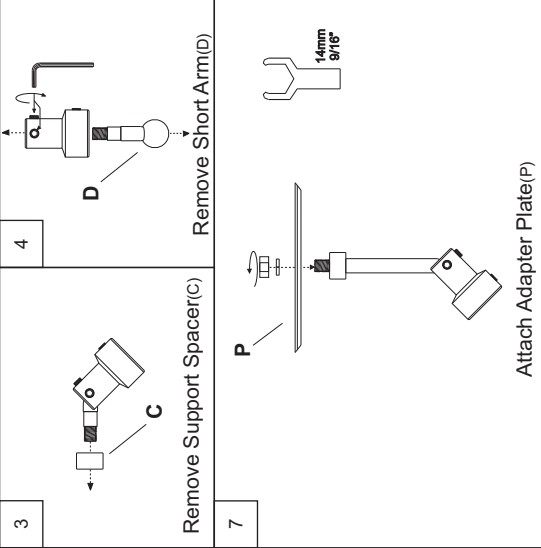
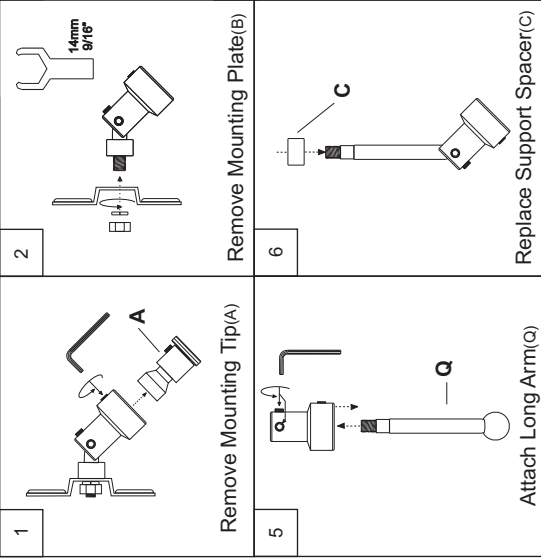
B PRE-WIRED CEILING MOUNT



C STANDARD CEILING MOUNT



D PRE-WIRED CEILING MOUNT

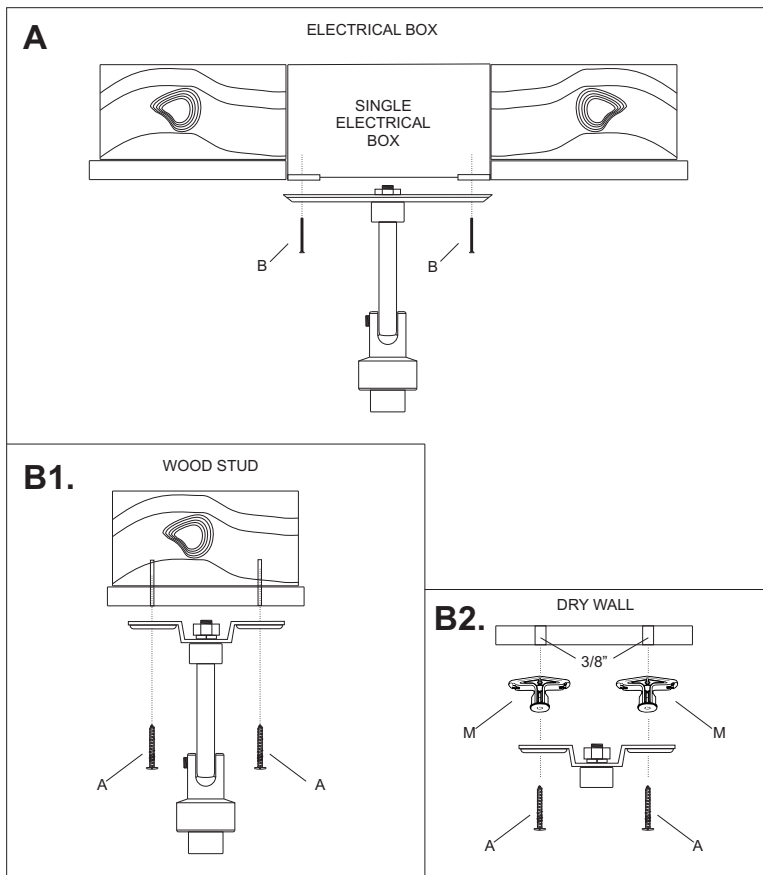


ATTACHING THE MOUNT

MOUNTING TO A CEILING LOCATION

FOLLOW **DIAGRAM A** WHEN MOUNTING TO A STANDARD SINGLE GANG ELECTRICAL BOX.

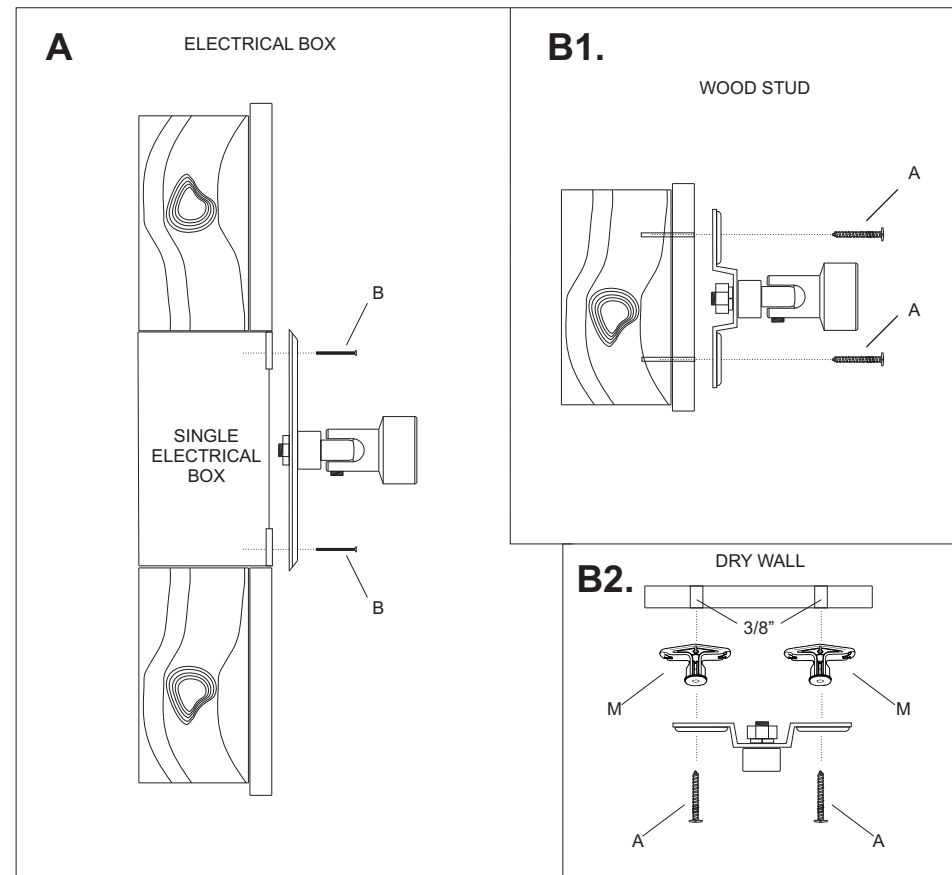
FOLLOW **DIAGRAM B** WHEN MOUNTING TO A SOLID SURFACE LOCATION.
B1. MOUNTING TO WOOD STUD
B2. MOUNTING TO DRYWALL



MOUNTING TO A WALL LOCATION

FOLLOW **DIAGRAM A** WHEN MOUNTING TO A STANDARD SINGLE GANG ELECTRICAL BOX.

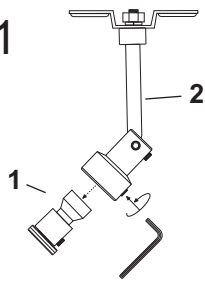
FOLLOW **DIAGRAM B** WHEN MOUNTING TO A SOLID SURFACE LOCATION.
B1. MOUNTING TO WOOD STUD
B2. MOUNTING TO DRYWALL



WARNING! - When mounting this product it is recommended to determine the location selected will support at least two times (2x) the total weight of the speaker. When mounting this product to a electrical box location, inspect this location to determine if the box is properly attached to a support stud (2x4') with screw/nail & the drywall is in good condition.

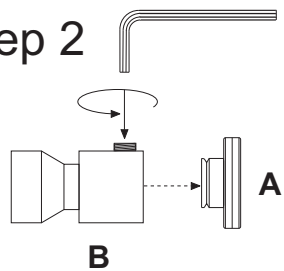
MOUNTING THE SPEAKER

Step 1



Before installing the speaker, remove the mounting tip assembly(1) from the mounting bracket body(2).

Step 2



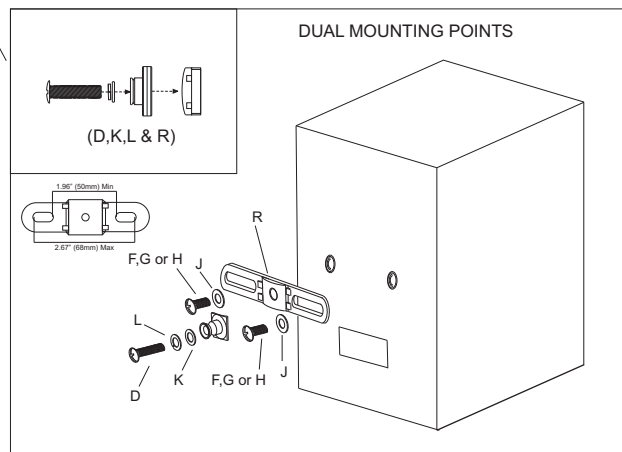
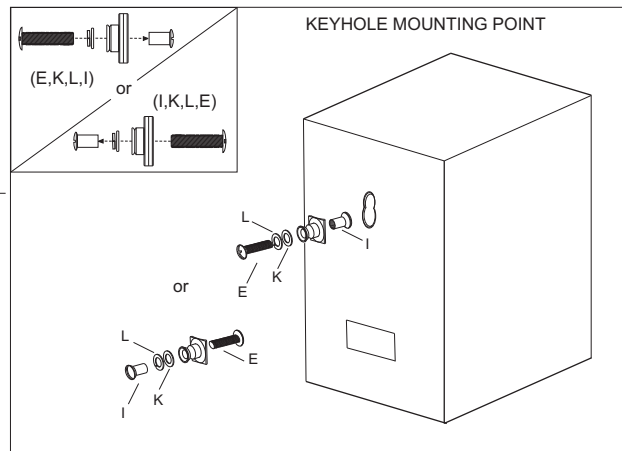
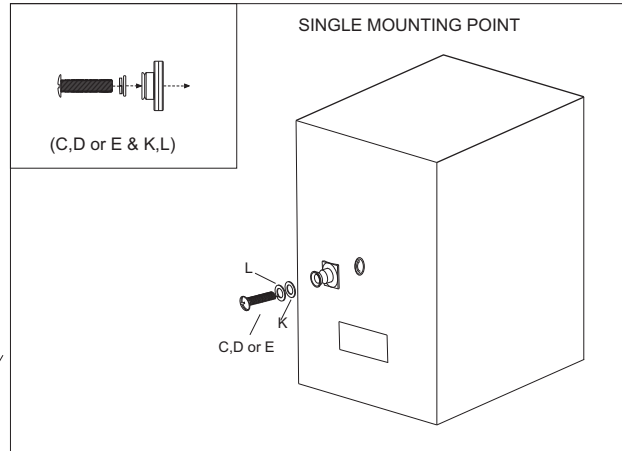
Step 2

To mount a speaker, remove the single point adapter tip(A) from the Mounting body(B) and determine the correct speaker mounting point your speaker has from the three (3) diagrams shown in step 3.

-Some speakers may use more than one type of mounting point, select the one best suited for your application.

-The hardware kit supplied with this mount are contains the most common size screws used to mount speakers. Some speakers may require longer or shorter screws not supplied in this kit.

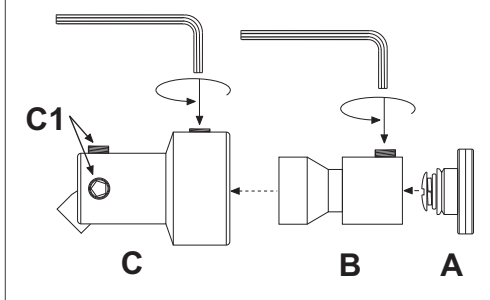
Step 3



Step 4

Once the speaker has been attached to the adapter tip(A), replace the adapter tip(A) to the mounting body(B) and then attach the adapter body(B) to the speaker mount assembly(C).

Step 4



After the speaker has been attached to the speaker mount assembly, you should connect the speaker wires.

To aim the speaker, loosen the small allen key bolts (C1) so that the adapter body can be rotated & tilted to the desired position. Tighten the allen key bolts(C1) to lock the speaker into the desired position.