

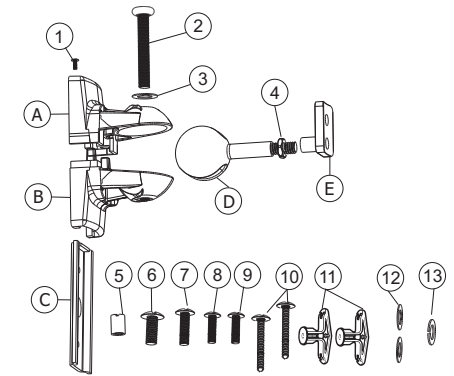


**AM-30**  
**Universal Speaker Wall Mount**  
**Max load 8 lbs**

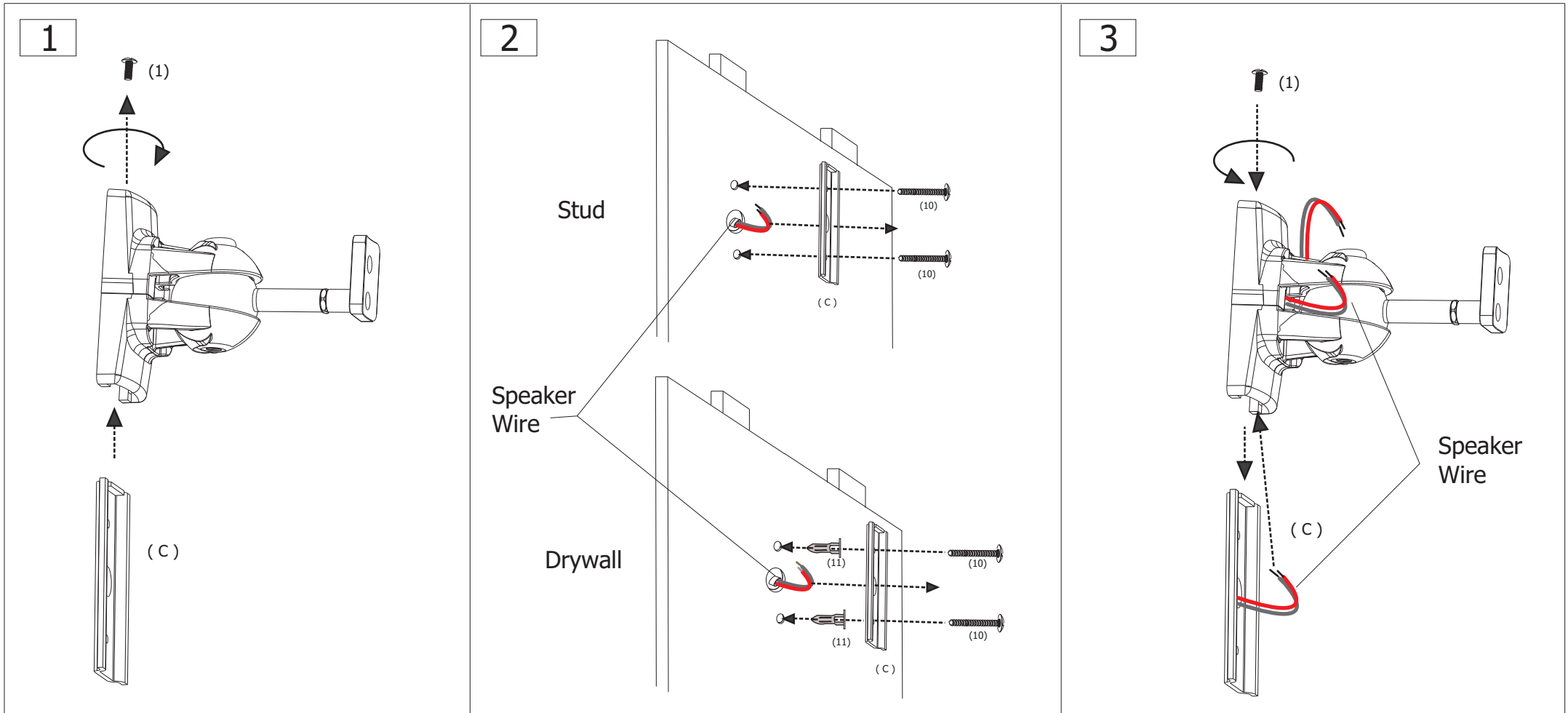
This manual should be read prior to starting assembly and mounting. It is recommended installing this mount to a solid surface location such as a wood stud or drywall that can support up to 3 times the total weight.

- A. Body Assembly (upper) x 1
- B. Body Assembly (lower) x 1
- C. Wall Plate x 1
- D. Arm Assembly x 1
- E. Offset Adapter x 1

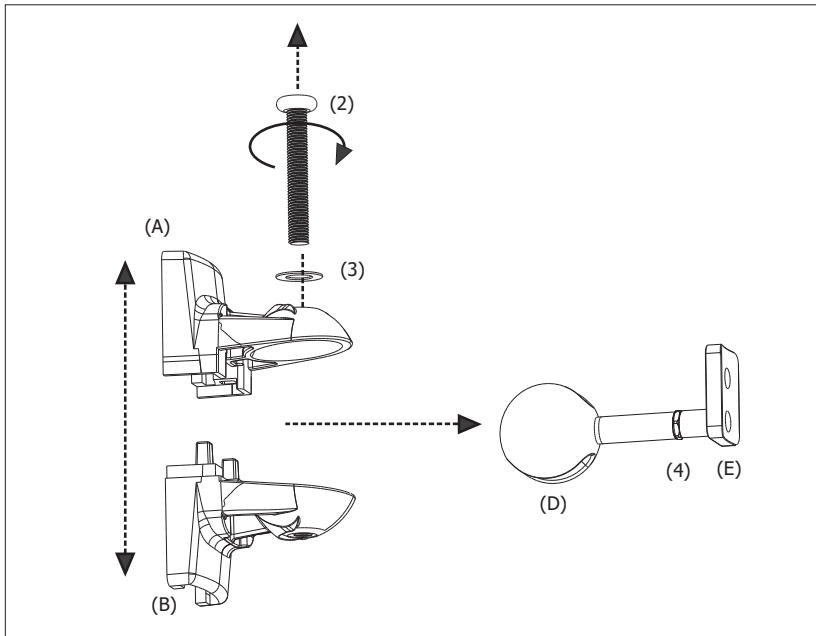
- 1. Assembly Lock screw x 1
- 2. Body Assembly Bolt x 1
- 3. Body Assembly Bolt Washer x 1
- 4. Locking Nut x 1
- 5. Keyhole adapter nut x 1
- 6. M6 x 12mm x 1
- 7. M5 x 12mm x 1 (large head)
- 8. M5 x 12mm x 1 (small head)
- 9. M4 x 12mm x 1
- 10. Wood Screw (for wall plate) x 2
- 11. Drywall anchors x 2
- 12. Washer x 2
- 13. Split Washer x 1



**Installing Mount to the Wall**

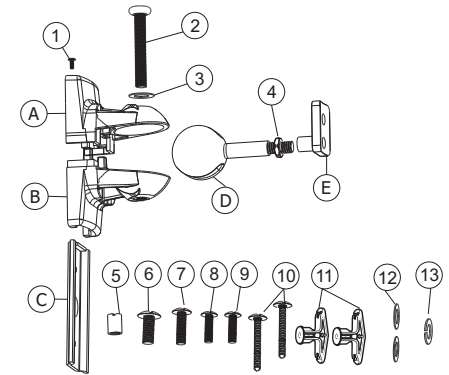


# Installing Mount to the Speaker

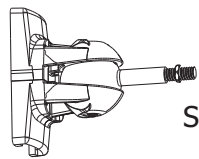


- A. Body Assembly (upper) x 1
- B. Body Assembly (lower) x 1
- C. Wall Plate x 1
- D. Arm Assembly x 1
- E. Offset Adapter x 1

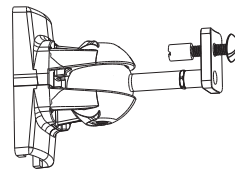
- 1. Assembly Lock screw x 1
- 2. Body Assembly Bolt x 1
- 3. Body Assembly Bolt Washer x 1
- 4. Locking Nut x 1
- 5. Keyhole adapter nut x 1
- 6. M6 x 12mm x 1
- 7. M5 x 12mm x 1 (large head)
- 8. M5 x 12mm x 1 (small head)
- 9. M4 x 12mm x 1
- 10. Wood Screw (for wall plate) x 2
- 11. Drywall anchors x 2
- 12. Washer x 2
- 13. Split Washer x 1



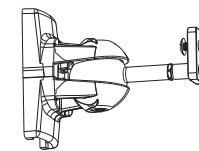
Select the mounting option below that best fits your speaker. More than one option may be possible depending on the speaker brand and model.  
 To determine the correct screw type to use, hand thread the screw into the threaded insert of the speaker. The screw should thread with no resistance. When the correct screw is selected, test fit the mount to the speaker. If the screw does not fit tight to the speaker, use the supplied washers to take up any slack until the speaker fits tight to the speaker.



Single Threaded Insert (1/4"-20)



Single Keyhole Slot ( M5)



Single Threaded Insert (M4 - M6)

