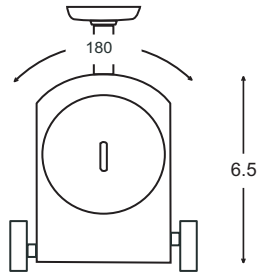
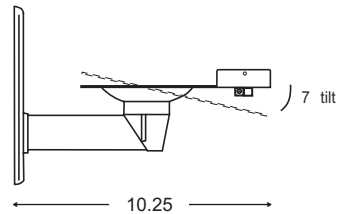


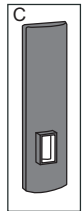
Pinpoint Mounts AM40

These instructions should be read prior to starting assembly and mounting. All 5 steps must be followed to insure the proper mounting and safety of your speakers. Wood based speakers will contract and expand do to the changing humidity in the room, the speaker clamping system should be checked periodically to insure it is tight. Pinpoint Mounts, their Distributors and Dealers are not responsible for damage or injury caused by improper installation. The speakers should not be wider than 11 inches, deeper than 13 inches and no taller than 22 inches. If you have any questions regarding these instruction please contact us at tech-support@pinpointmounts.com.

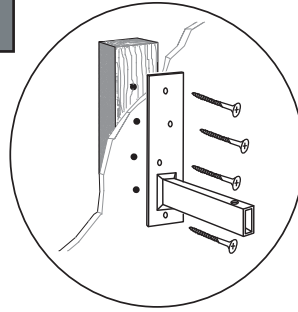


Parts List:

if any parts are missing or damaged do not return to place of purchase. Please call 865-671-2020. and we will send out the replacement parts.

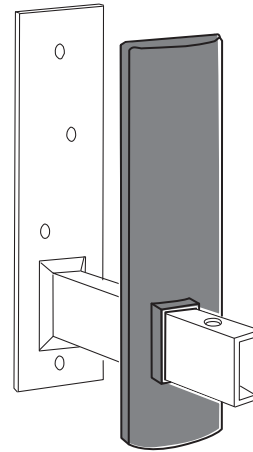


1



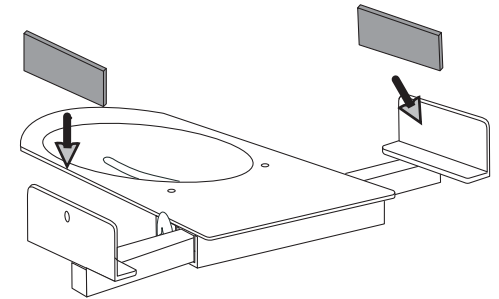
This mounts wall plate must be secured to a stud or other solid surface capable of supporting the total weight of the mount and speaker. Attaching the wall plate to drywall using drywall anchors will decrease the maximum weight handling and is done at the customers own risk.

2

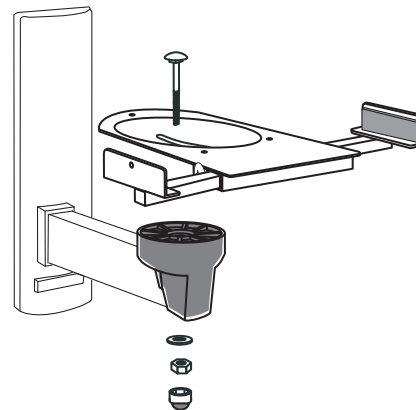


carefully push on the cover plate

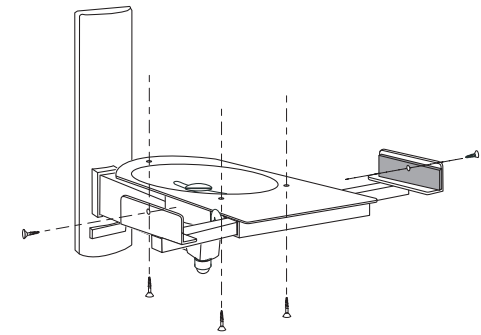
3



4



5



in order to maintain maximum safety it is necessary to use the small security screws.