



# Series: PF33/PF50

**Submersible Effluent/Sump Pumps  
1½" Discharge, 1/2" Spherical Solids, 1/3 & 1/2HP**



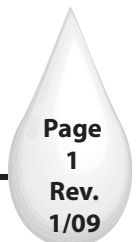
<b>DISCHARGE</b>	1-1/2" NPT, Female, Vertical
<b>LIQUID TEMPERATURE</b>	104°F Continuous
<b>MOTOR HOUSING/ VOLUTE</b>	Cast Iron, Class 30
<b>STRAINER</b>	Thermoplastic
<b>IMPELLER</b>	10 vane vortex, with pump out vanes on back side, Balanced. Material: Cast Iron
<b>SHAFT</b>	Stainless Steel
<b>O-RINGS</b>	Buna-N
<b>HARDWARE</b>	300 Series Stainless Steel
<b>SEAL</b>	Single Mechanical, Carbon/Ceramic/Buna-N
<b>POWER CORD</b>	10 Ft., 20 Ft., or 30 Ft. cord with plug
<b>UPPER BEARING</b>	Single Row, Ball, Oil Lubricated
<b>LOWER BEARING</b>	Single, Row, Ball, Oil Lubricated
<b>MOTOR</b>	Oil Filled, Class B insulation
<b>SINGLE PHASE</b>	Permanent Split Capacitor (PSC), Includes Overload Protection in Motor
<b>PAINT</b>	Powder Coated - Industrial Grade
<b>LEVEL CONTROL- PF33:</b>	(a) Manual, no float control & 10 ft long power cord with plug
<b>PF33X &amp; PF50X:</b>	(b) Manual, no float control & 20 ft long power cord with plug
<b>PF33A:</b>	(c) Wide angle, mechanical & 10 ft long power cord with plug
<b>PF33AX &amp; PF50AX:</b>	(d) Wide angle, mechanical & 20 ft long power cord with plug
<b>PF33AX-30:</b>	(e) Wide Angle, mechanical & 30 Ft long power cord with plug
<b>PF33X-30:</b>	(f) Manual, no float control & 30 Ft long power cord with plug
<b>PF33VF:</b>	(g) Vertical pvc float & 10 ft long power cord with plug
<b>PF33VFX &amp; PF50VFX:</b>	(h) Vertical pvc float & 20 ft long power cord with plug
<b>MIMIMUM SUMP DIAMETER</b>	(a) 12" diameter: PF33, PF33X, PF50X, PF33VF, PF33VFX & PF50VFX (b) 18" diameter: PF33A, PF33AX & PF50AX

**Series: PF33, PF33X, PF33X-30  
PF33A, PF33AX,  
PF33AX-30, PF33VF,  
PF33VFX, PF50X,  
PF50AX, PF50VFX**

**1/3 & 1/2HP, 3450 RPM, 60 Hz  
Submersible Sump Pumps**

**Description**

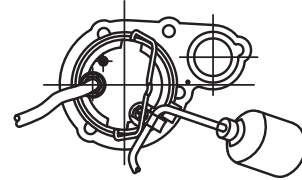
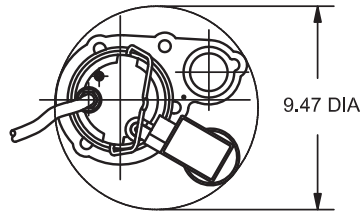
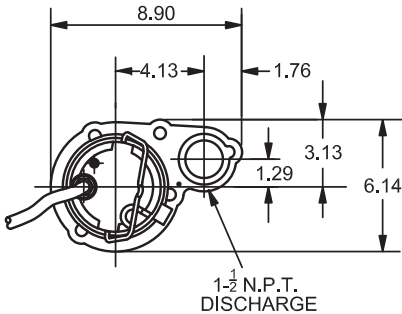
General purpose pump for residential, light industrial and commercial sump applications.



# Series: PF33/PF50



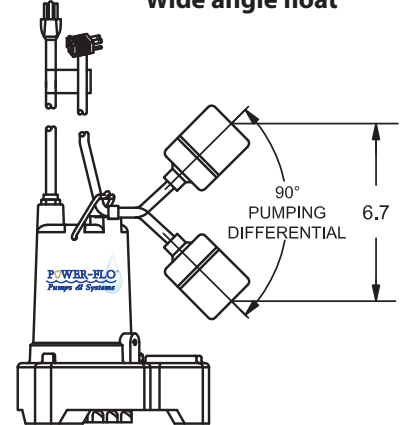
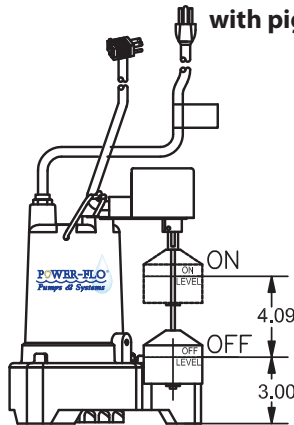
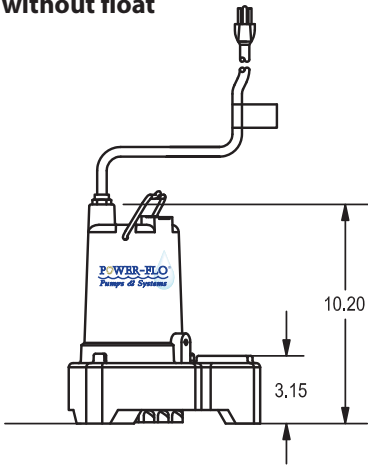
**Submersible Effluent/Sump Pumps**  
**1-1/2" Discharge, 1/2" Spherical Solids, 1/3 & 1/2HP**



**PF33 & PF50  
without float**

**PF33VF & PF50VF  
vertical level control  
with piggy-back plug**

**PF33A & PF50A with  
Wide angle float**



MODEL	HP	Hz	Volts/Ph	RPM	Full Load Amps	NEMA Start Code	Cord Type	Cord Size	Cord Length
PF33	1/3	60	115/1	3450	7.5	B	SJTW	16/3	10 Ft
PF33X	1/3	60	115/1	3450	7.5	B	SJTW	16/3	20 Ft
PF33X-30	1/3	60	115/1	3450	7.5	B	SJTW	16/3	30 Ft
PF33A	1/3	60	115/1	3450	7.5	B	SJTW	16/3	10 Ft
PF33AX	1/3	60	115/1	3450	7.5	B	SJTW	16/3	20 Ft
PF33VF	1/3	60	115/1	3450	7.5	B	SJTW	16/3	10 Ft
PF33VFX	1/3	60	115/1	3450	7.5	B	SJTW	16/3	20 Ft
PF33AX-30	1/3	60	115/1	3450	7.5	B	SJTW	16/3	30 Ft
PF50X	1/2	60	115/1	3450	8.0	A	SJTW	16/3	20 Ft
PF50AX	1/2	60	115/1	3450	8.0	A	SJTW	16/3	20 Ft
PF50VFX	1/2	60	115/1	3450	8.0	A	SJTW	16/3	20 Ft



# Series: PF33/PF50

Submersible Effluent/Sump Pumps  
 1½" Discharge, 1/2" Spherical Solids, 1/3 & 1/2HP

