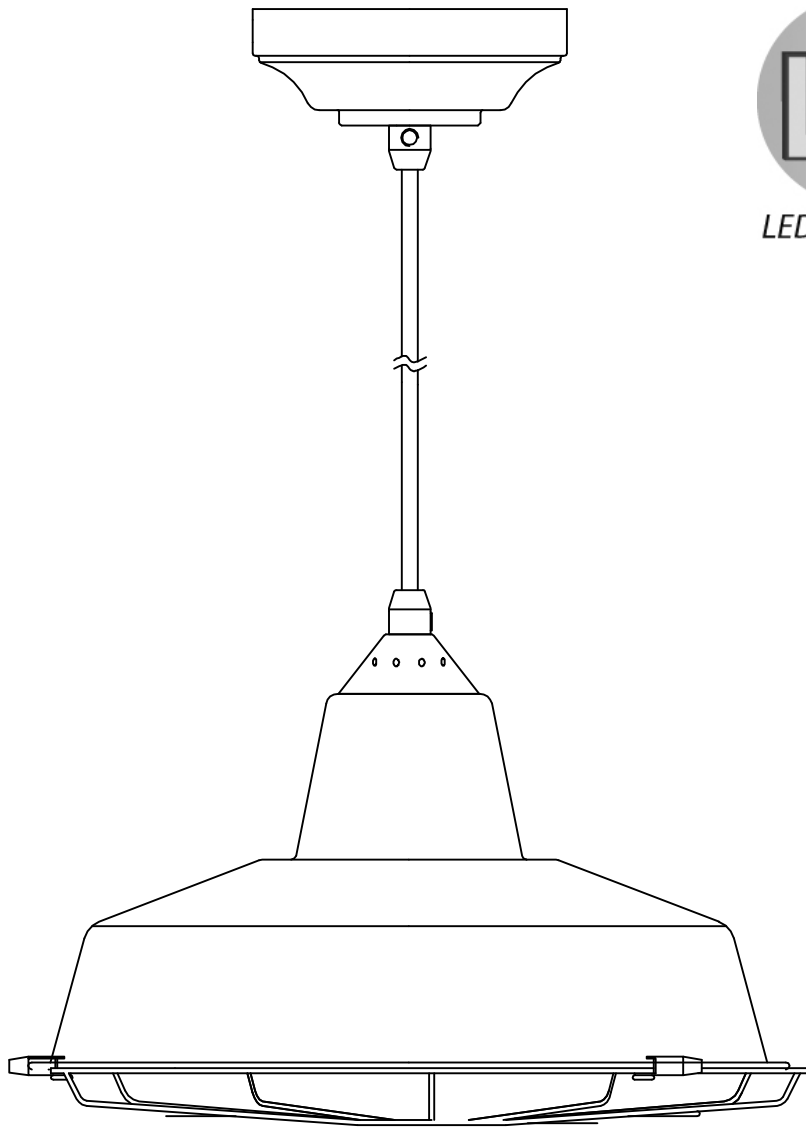


# USE AND CARE GUIDE

---

## 12 IN. ROUND LED SHOP – UTILITY LIGHT

Models  
8150 and 8153



# Installation

## 1 Adjusting the cord length

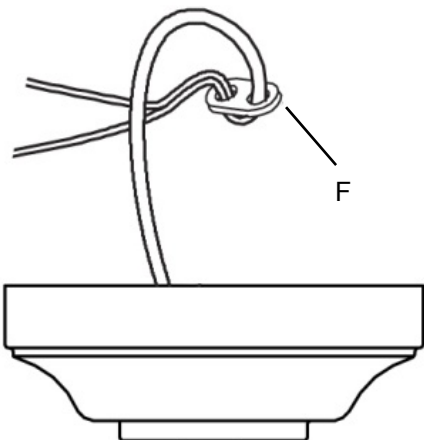
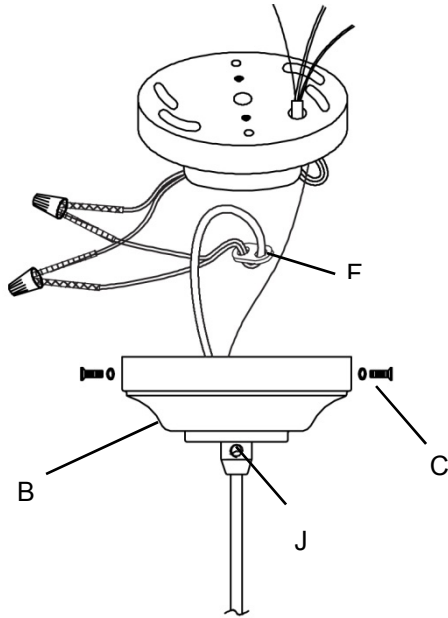


**DANGER:** Before installation, turn off the main power at the circuit breaker.



**WARNING:** Installation must be performed by a qualified licensed electrician.

- Remove the canopy housing screws (C) and canopy housing (B).
- Loosen the cord set screw (J).
- Pull the cord through canopy housing (E) to the desired length.
- Pull the cord through the cord lock (F).



## 2 Adjusting the cord length



**DANGER:** Before installation, turn off the main power at the circuit breaker.

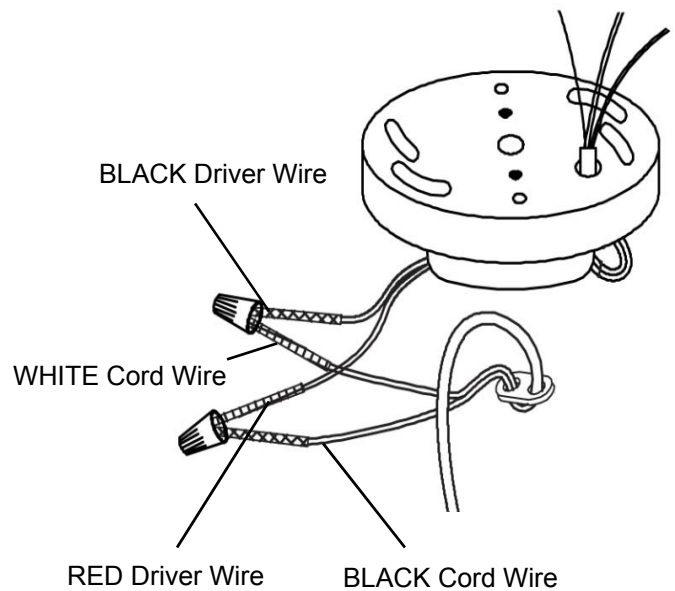


**CAUTION:** To prevent electric shock, do not insert any objects through openings or attempt to open the adapter.

- Cut excess cord.
- Remove any electrical tape and re-wire making sure the white cord wire is attached to the black driver wire and the black cord wire is attached to the red driver wire.



**NOTE:** Ensure the black cord wire attaches to the red driver wire and the white cord wire attaches to the black driver wire. Failure to connect the wires correctly will damage the light.



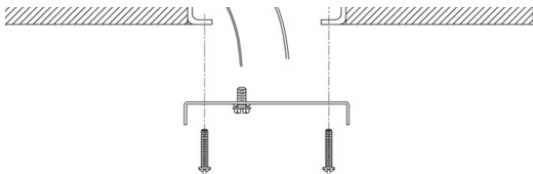
# Installation (continued)

## 3 Removing the existing fixture



**DANGER:** Before installation, turn off the main power at the circuit breaker.

- Remove the existing fixture.

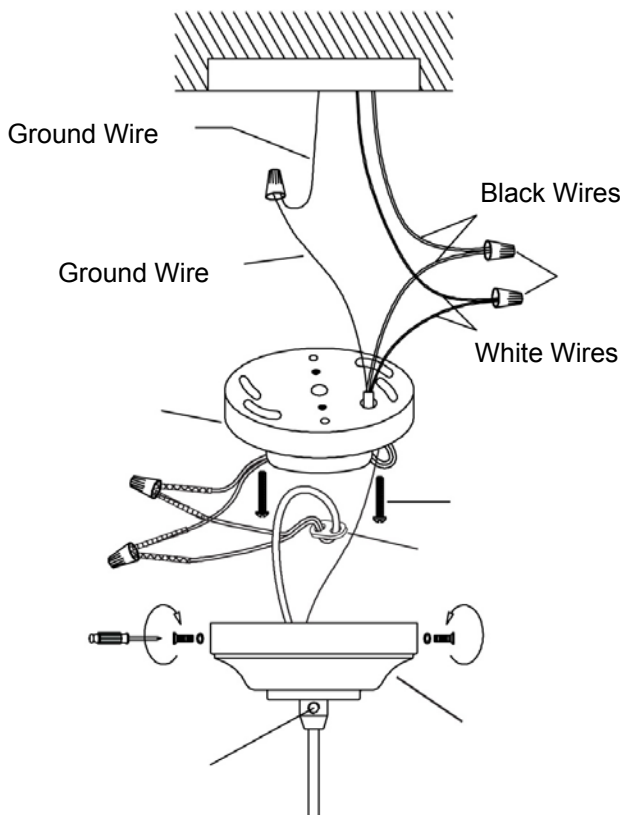


## 4 Connecting the wires



**WARNING:** Installation must be performed by a qualified licensed electrician.

- Connect the black supply wire to the white fixture wire.
- Connect the white supply wire to the black fixture wire.
- Connect the ground supply wire to the ground fixture wire.
- Use wire nuts (AA) to secure all connections.

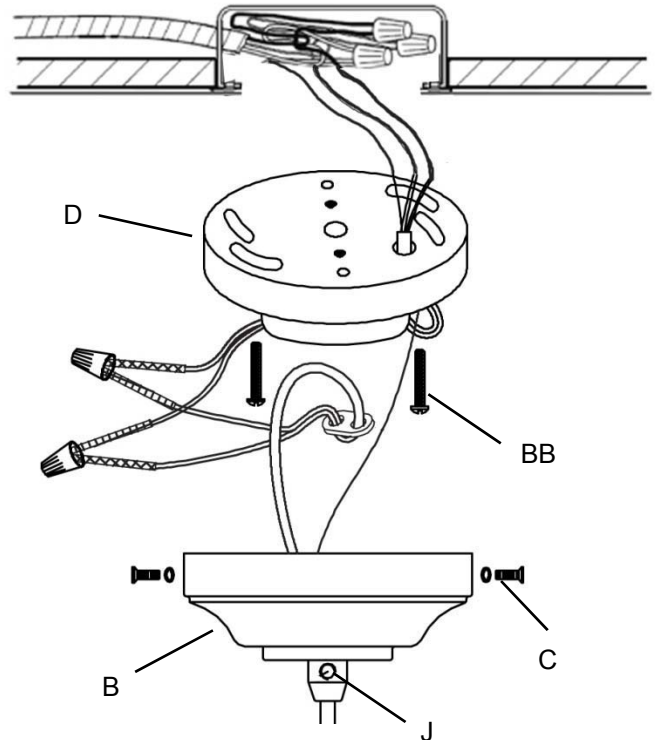


## 5 Installing the ceiling fixture



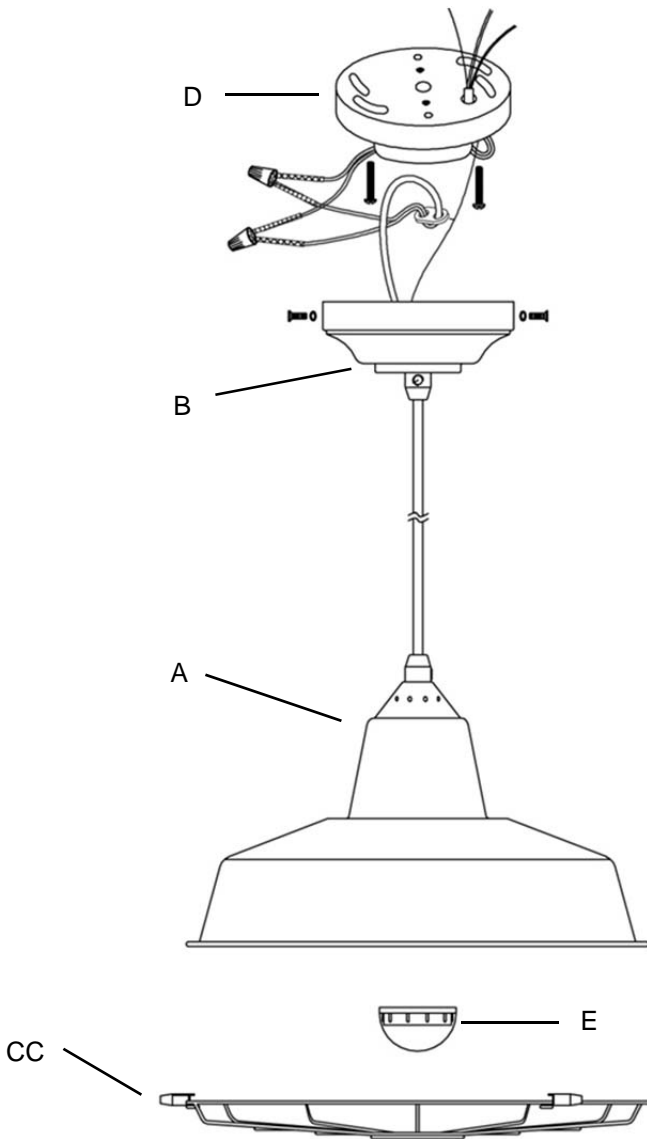
**DANGER:** Before installation, turn off the main power at the circuit breaker.

- Tuck the fixture wires into the ceiling box.
- Insert the ceiling fixture mounting screws (BB) through the mounting bracket with driver (D) and screw into the ceiling electrical junction box.
- Slide up the canopy housing (B) over the mounting bracket with driver (D) and secure with canopy housing screws (C).
- Check fixture cord set screw (J) and tighten if necessary. Do not over tighten.



# Installation (continued)

## Service Parts



Part	Description	Quantity
A	Fixture Assembly	1
B	Canopy Housing	1
CC	Wire Guard	1
D	Mounting Bracket with Driver	1
E	Lens Cover	1

## Product Maintenance

1. To clean the outside of the fixture, use a dry or slightly dampened clean cloth. Use clean water, and a gentle solvent to wipe the metal housing and surface of fixture.
2. To clean the inside of the fixture, first disconnect the power to the light by turning off the circuit breaker or removing the fuse.
3. Next, use a dry or slightly dampened clean cloth and clean water, and a gentle solvent to wipe the interior metal housing of fixture.
4. Never spray any water or cleaning chemicals directly into the metal housing.
5. Use only a dry soft cloth to dust and wipe carefully.

## Warranty

We warrant this lighting fixture to be free of manufacturing defects to the original purchaser for two years. It remains the customer's responsibility for freight and packaging charges to and from our service center. This warranty does not cover acts of nature, fire, freezing and abuse. In addition, purchased parts are not covered in this warranty. We reserve the right to make substitutions with similar merchandise, if the model in question is no longer in production.

## Troubleshooting

Problem	Solution
Light will not turn on.	Make sure power supply is on. Test or replace switch. Check wiring.
Fuse blows or circuit breaker trips when light is turned on.	Check wire connections.