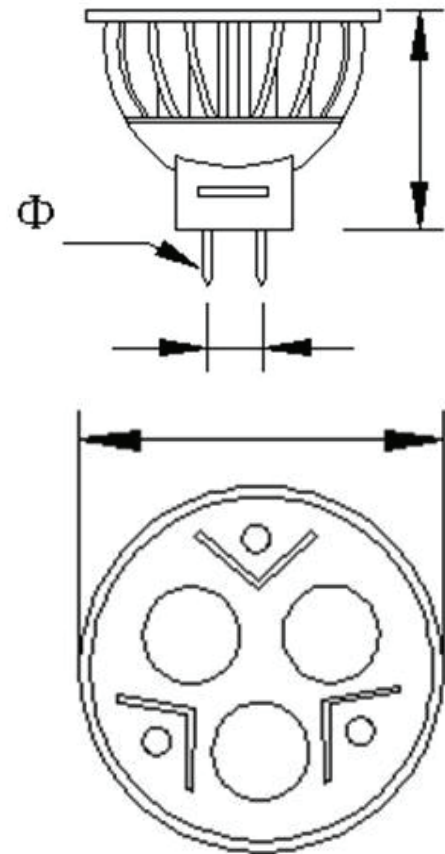


LUMENSOURCE

MR16 FW SERIES 3W

The high brightness MR16 FW bulb uses only 3W compared to a 25W traditional halogen light source. The MR16 base fits into any bi-pin GU5.3 size fixture socket providing high performance, energy saving, and long lasting light output.



SPECIFICATIONS

Wattage	3W
Voltage	12V AC/DC
Average Lifetime	> 50,000 hrs
Colors	Warm White (3,000K) Cool White (5,000K)
Luminous Flux	150 lm (WW); 160 lm (CW)
Beam Angle	30 degrees
Dimensions	1.97" dia / 1.75" length
Dimmability	Magnetic Low Voltage Dimmer
LED	3

ORDERING INFO

- MR16-FW3x1-X
 - C – Cool White
 - W – Warm White
- *Available in E26 medium and GU10 base

