

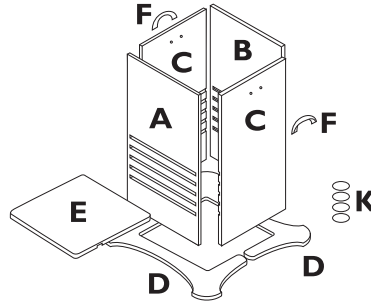
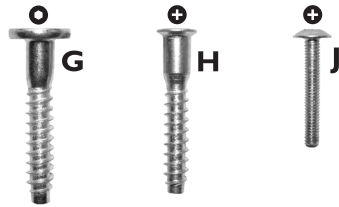
Little Helper FunPod™ Construction Guide

Thank you for choosing to buy a Little Helper FunPod™. We hope you and your child have lots of fun using it.

Please check all components for damage before assembly. Please read these instructions carefully BEFORE beginning the construction and keep them for future reference. Once assembled, do not disassemble the FunPod™ for storage or other purposes.

Your child may be hurt if you do not follow the instructions.

- 1 x Rear Panel (A)
- 1 x Front Panel (B)
- 2 x Side Panels (C)
- 2 x Base Plates (D)
- 1 x Foot Plate (E)
- 2 x Handles (F)
- 12 x Large Screws (G)
- 8 x Medium Screws (H)
- 4 x Small Screws (J)
- 4 x Rubber Feet (K)



Tools you will need:
Allen Key (supplied)



Posidrive screwdriver



Missing or faulty parts?

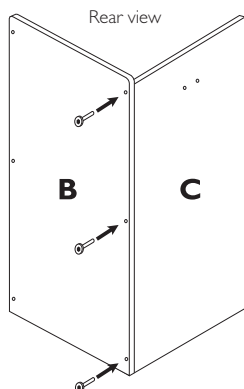
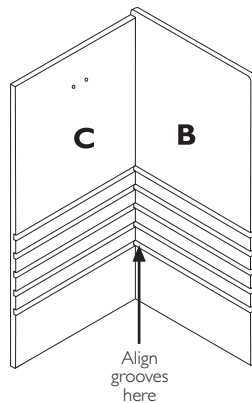
Please telephone 0845 230 1538 or fax 0845 230 1539 quoting your name, order number and the delivery address where the FunPod™ was delivered and we'll be happy to send you a replacement.

If one panel or part is damaged, it is not necessary to return either the damaged part or the entire unit. Simply work out which part is defective, get your order number to hand and contact us. We will then dispatch the replacement within 10 working days.

To avoid scratching your FunPod™ during construction we advise you work on a soft floor covering, e.g. a carpeted area or a thick sheet.

Step 1

Stand the front panel (B) and one of the side panels (C) together so they meet at the corner, ensuring the grooves are aligned.



Insert 3 large allen key screws (G) into the holes in panel (B) and tighten.

IMPORTANT!
When tightening the allen key screws it is important not to over tighten.

Screw the bolts in until the metal screw heads touch the wood and offer a slight resistance to the key, then rotate screw a further quarter turn.

Step 2

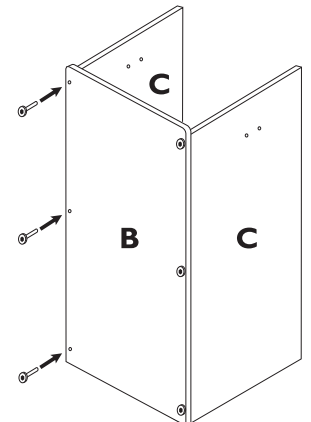
Stand the remaining side panel (C) next to the corner of front panel (B).

Ensure the inside grooves align before inserting and tightening 3 more large screws (G)

IMPORTANT!

When tightening the allen key screws it is important not to over tighten.

Screw the bolts in until the metal screw heads touch the wood and offer a slight resistance to the key, then rotate screw a further quarter turn.



Step 3

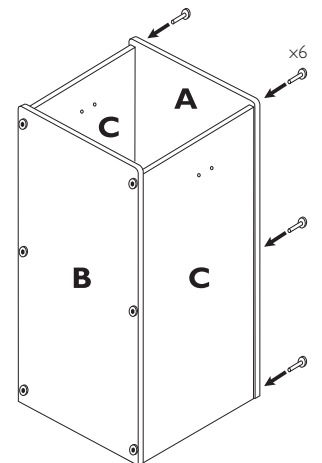
Position the remaining panel (A) to create a box shape.

Insert and tighten the remaining 6 large screws (G).

IMPORTANT!

When tightening the allen key screws it is important not to over tighten.

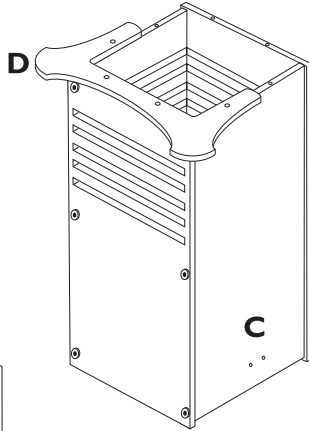
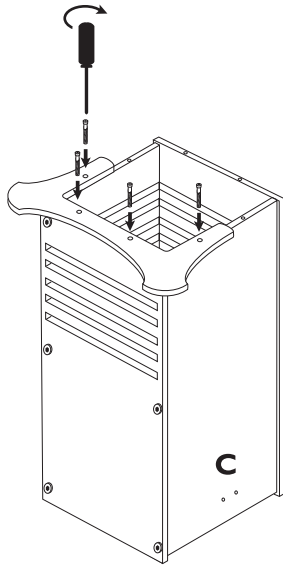
Screw the bolts in until the metal screw heads touch the wood and offer a slight resistance to the key, then rotate screw a further quarter turn.



Step 4

Turn the FunPod™ upside down to reveal the screw holes located underneath.

Place one of the base plates (D) onto the FunPod™ as shown here.

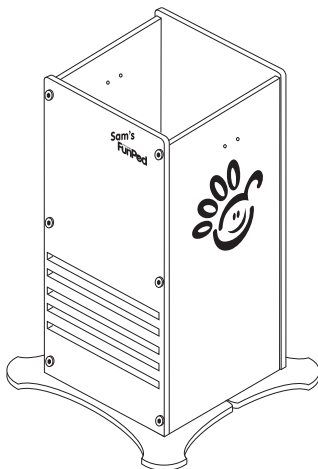
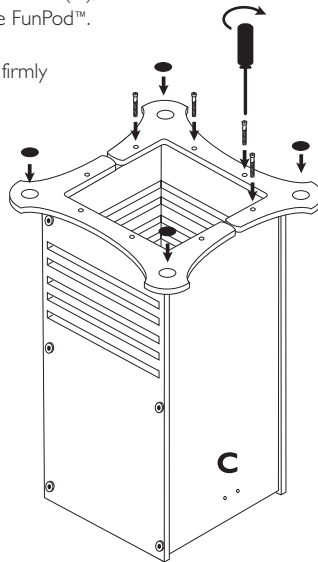


Attach the base plate to the bottom of the FunPod™ using 4 medium sized screws (H).

Step 5

Using the remaining 4 medium sized screws (H), attached the second foot plate to the FunPod™.

Next, take the 4 rubber feet (K) and firmly push them into the holes provided.

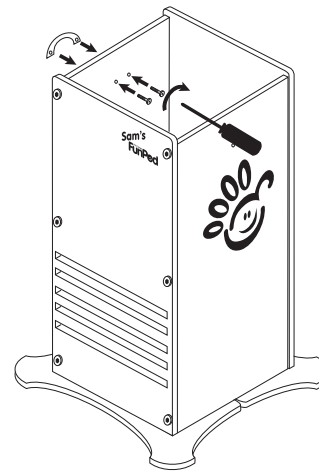


When both footplates have been attached, carefully turn the FunPod™ around so it now stands on the foot plates and apply the sticker graphics.

Position the FunPod™ logo on to the rear panel and the smiley face logo on the side panel as shown here.

(NB. name sticker is an optional extra)

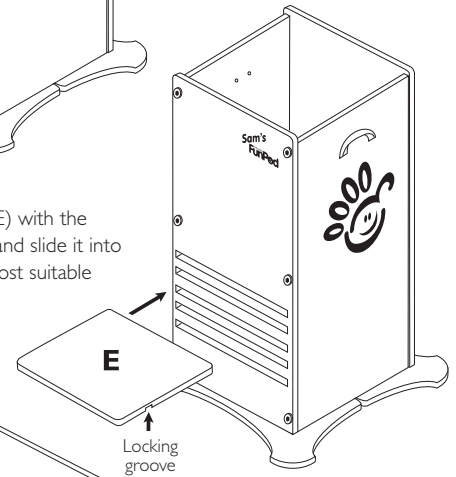
Step 6



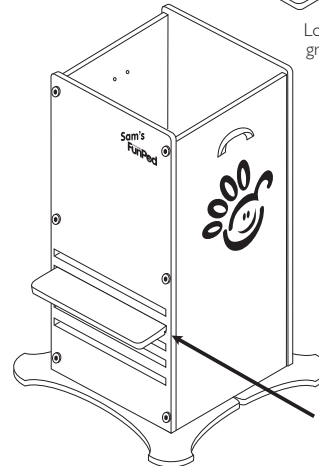
Using 2 small screws (J) attach one of the handles to the FunPod™ as shown here.

Then attach the other handle in the same way.

Take the foot plate (E) with the groove facing down and slide it into the slot that is the most suitable for your child.



Locking groove



IMPORTANT!

Please ensure the foot plate is fully inserted and the locking groove is engaged.

This check **MUST** be performed every time before the FunPod™ is used.

Locking groove engaged

Congratulations!

Your FunPod™ is now ready for use. We hope you have lots of fun using it. Little Helper are continuously creating ideas on how to get the most out of your time with your children. Please visit our website to view our range of products and accessories and see new and exciting products coming soon at:

www.littlehelper.co.uk

WARNING

- For safety reasons, the top of the FunPod™ **MUST** be level with child's chest.
- Do not leave your child unattended at any time.
- Keep child well away from sharp instruments, electricals and hot appliances.
- Ensure that the footplate locks into position before placing child in FunPod™.
- Child **MUST** be able to stand unaided to use FunPod™.
- Do not use footplate as a step.
- Please note that the FunPod™ is splash resistant and not water resistant therefore ensure that the FunPod™ does not get soaked.
- When not in use, store away from your child.

Maximum child height: 95 cm
Maximum child weight: 30 kgs

Easy Cleaning

Just like our toddlers at Little Helper, they're sure to fill the FunPod™ with all sorts of mess so when you remove the footplate, there is a hole in the bottom of the unit for the mess to fall, meaning it's simple and easy to clean. Just your floor to wipe. If your FunPod™ gets dirty, simply clean it with soap and water.