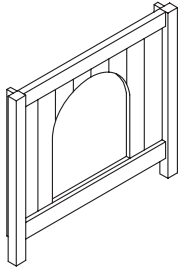
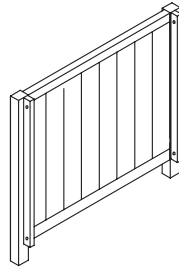


Room with A View™ MPS002-SW

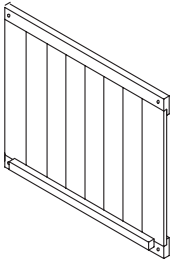
Please check contents before assembly. If any items are missing or damaged, **do not take the unit back to the store.** Call 416-597-2291 for customer service and we will save you time by correcting any problems directly for you.



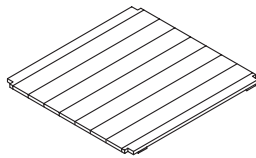
A. Front Panel



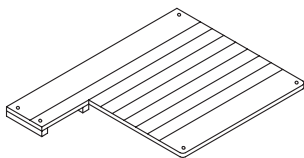
B. Rear Panel



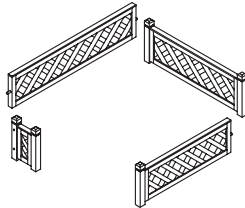
C. Side Panels (2)



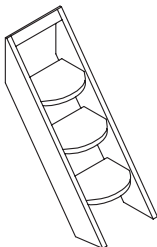
D. Floor Panel



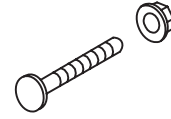
E. Sun Deck Panel



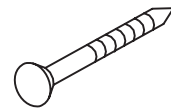
F. Deck Fence



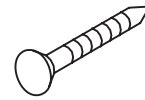
G. Stair Case



H. Bolt and nut (8 pcs)

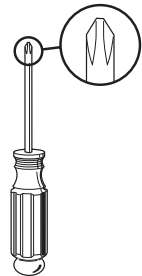


I. Long Screw (10 pcs)



J. Short Screw (8 pcs)

TOOL REQUIRED



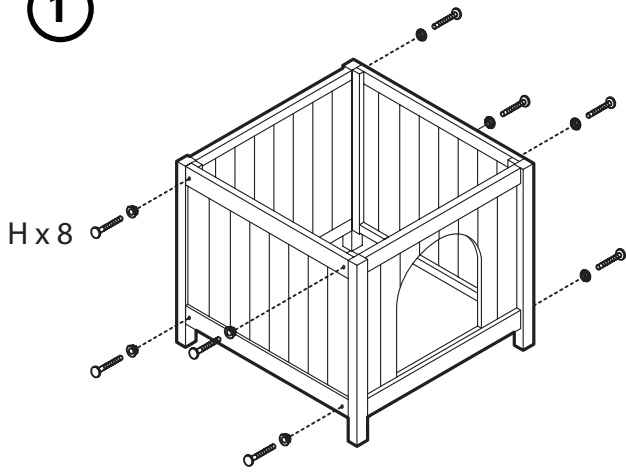
**Electrical Screwdriver
or
Phillip Screwdriver**

NOTE:

- *Read all instructions before starting
- *Do not completely tighten any bolts until the unit is fully assembled and sitting on a level surface.

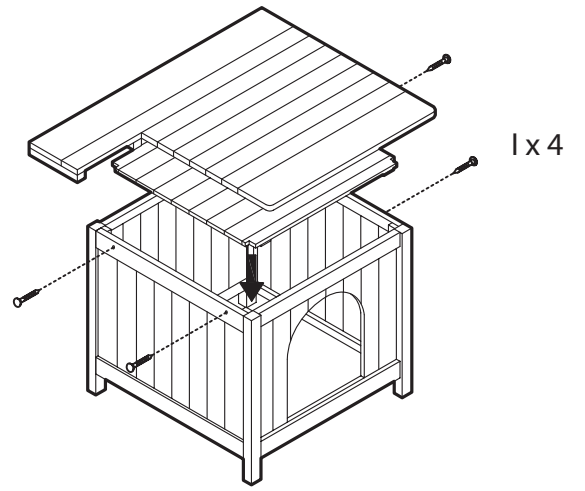
MADE IN CHINA

1



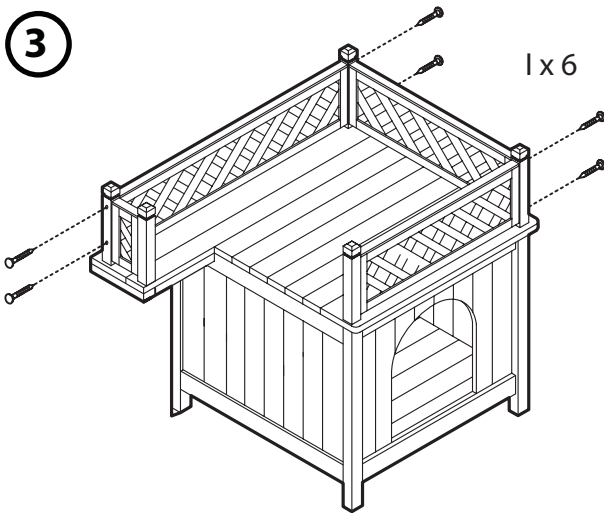
Install Front (A), Rear (B) and Side (C) Panels with 8 Bolts and Nuts (H).

2



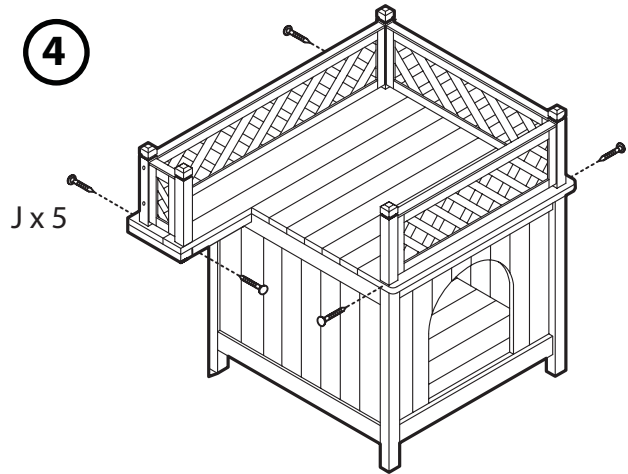
Place Floor Panel (D) inside the House. Place Sun Deck Panel (E) on House and Secure with 4 Long Screws (I).

3



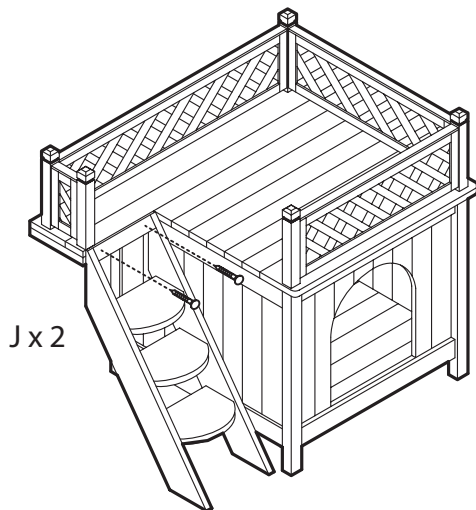
Assemble Deck Fence (F) with 6 Long Screws (I).

4



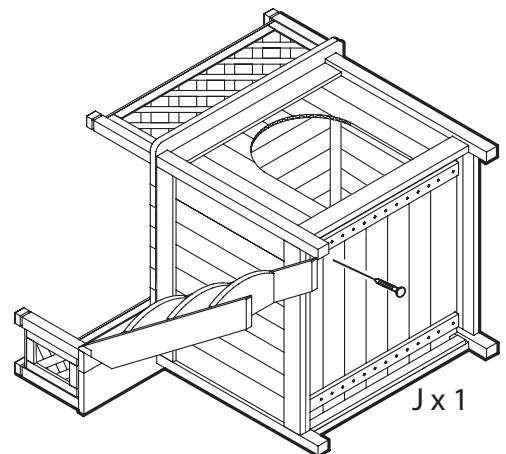
Fasten the Deck Fence (F) to the Sun Deck Panel (E) with 5 Short Screws (J).

5



Fasten the Staircase (F) to the Sun Deck Panel (E) with 2 Short Screws (J).

6



Fasten the Staircase to the Right Side Panel (C) with 1 Short Screws (J).