

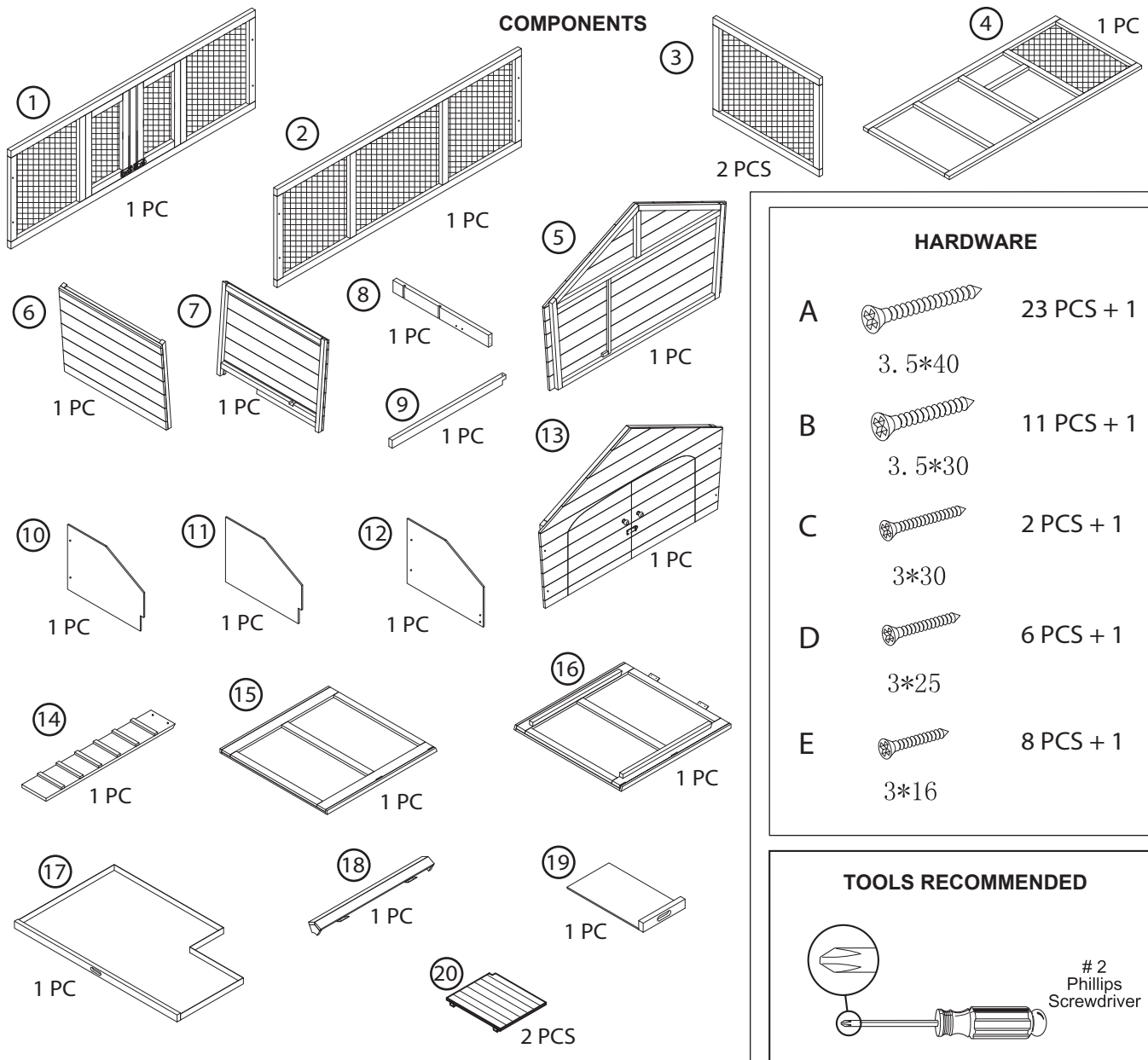
PH0020010802 Ranch Chicken Hutch

CARE INSTRUCTIONS

The Ranch Chicken Hutch has been conditioned for outdoor use with a weather resistant paint. To maintain the beauty and life expectancy of the hutch, it is **HIGHLY RECOMMENDED** that you treat the hutch with a weatherproof paint once a year.

- Secure the Chicken Hutch during harsh weather to keep it from getting damaged.
- Rinse any panels with water to clean.
- When assembling Merry Products™ furniture, please handle all panels and/or hardware with care to avoid any possibilities of damages and/or injuries.

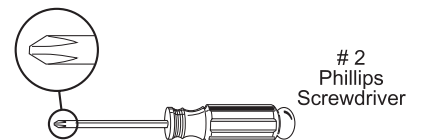
COMPONENTS



HARDWARE

A		23 PCS + 1
B		11 PCS + 1
C		2 PCS + 1
D		6 PCS + 1
E		8 PCS + 1

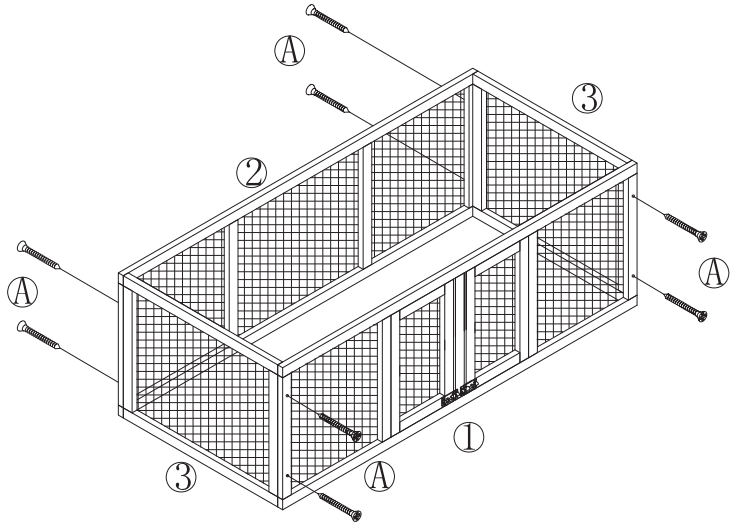
TOOLS RECOMMENDED



DO NOT TIGHTEN ANY BOLTS AND SCREWS BEFORE THE UNITS PUT TOGETHER.

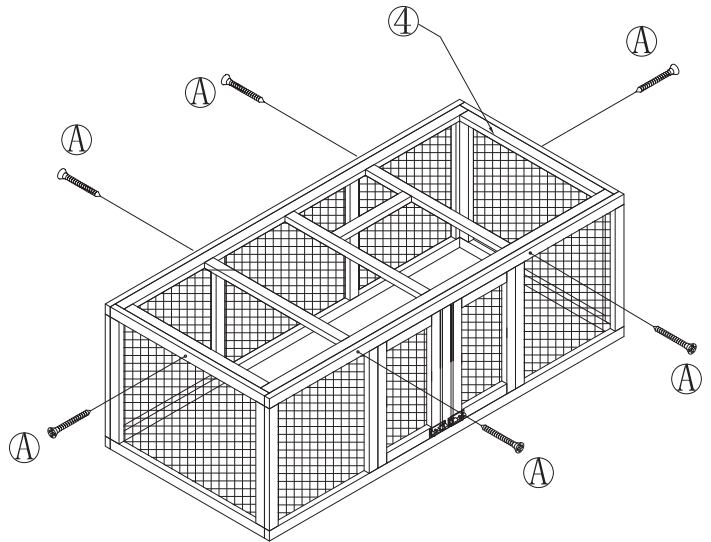
1

Connect parts (1), (2), and (3) together using screws (A).
Do not tighten completely.



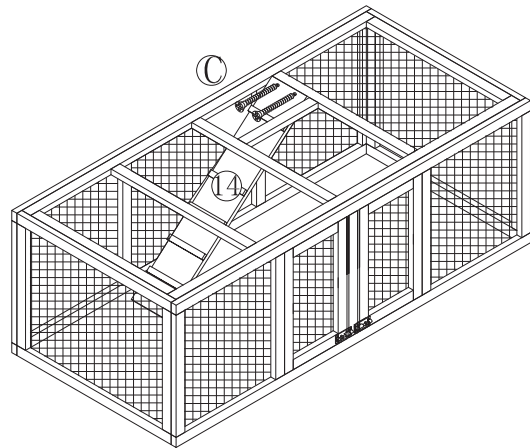
2

Connect part (4) to the structure using screws (A).
Do not tighten completely.



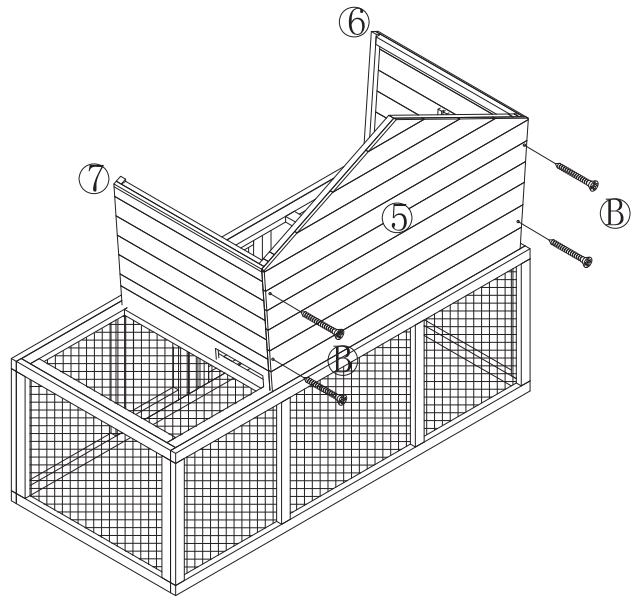
3

Connect part (14) to part (4) using screws (C).



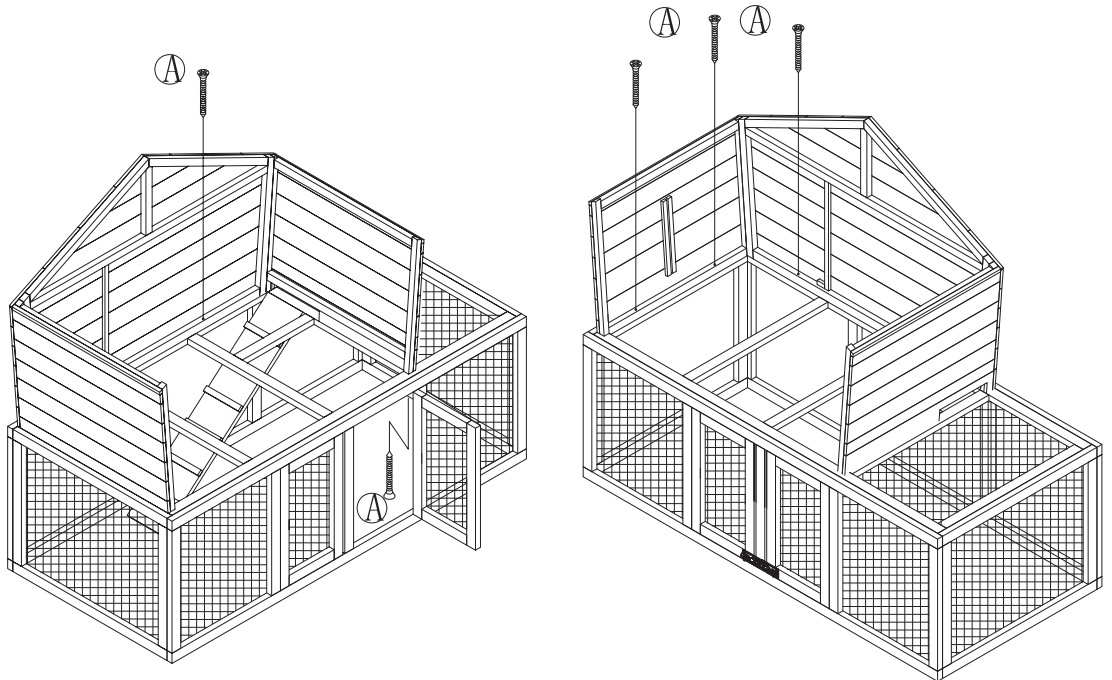
4

Turn the structure 180°.
Align parts (5), (6), and (7) on top of part (4).
Connect parts (5), (6) and (7) using screws (B).
Do not tighten completely.



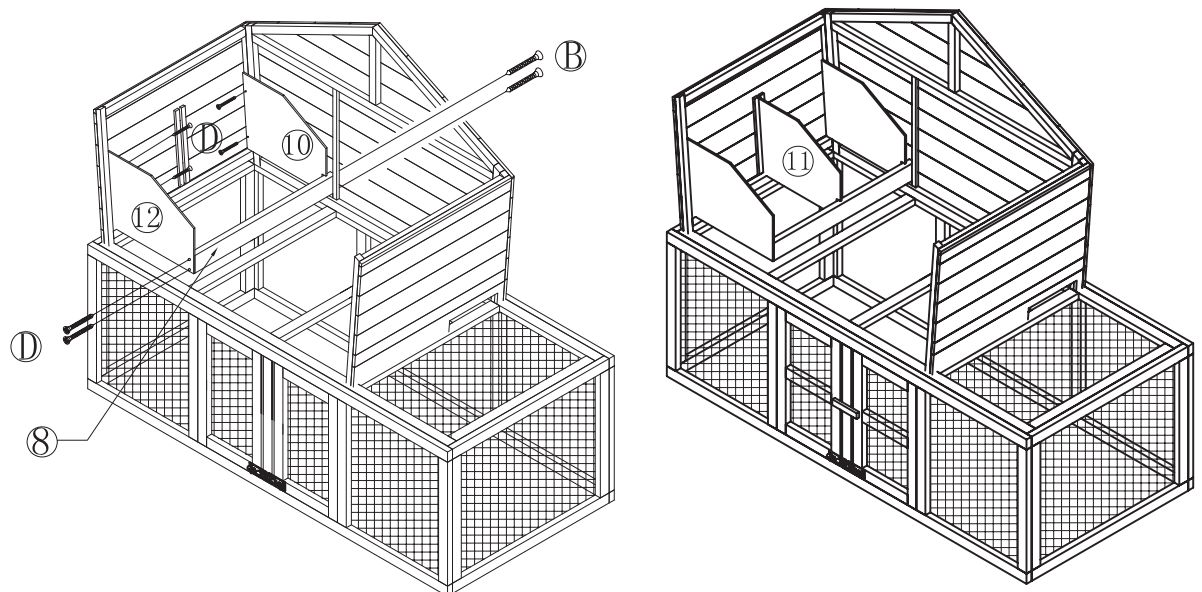
5

Secure parts (5), (6) and (7) onto part (4) using screws (A), as shown.



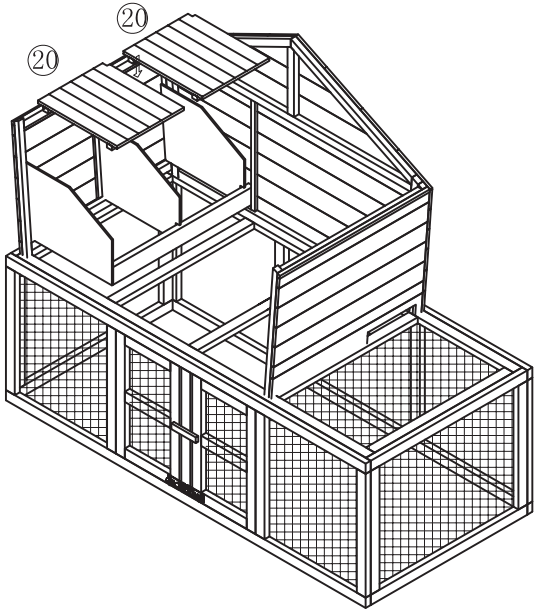
6

Attach parts (10) and (12) to the structure using screws (D).
Attach part (8) to part (12) and the structure using screws (B).
Slide part (11) into place as shown.



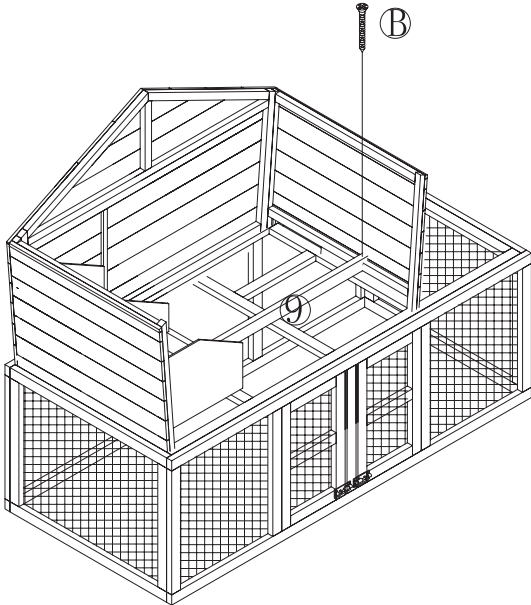
7

Hook parts (20) onto the structure as shown.



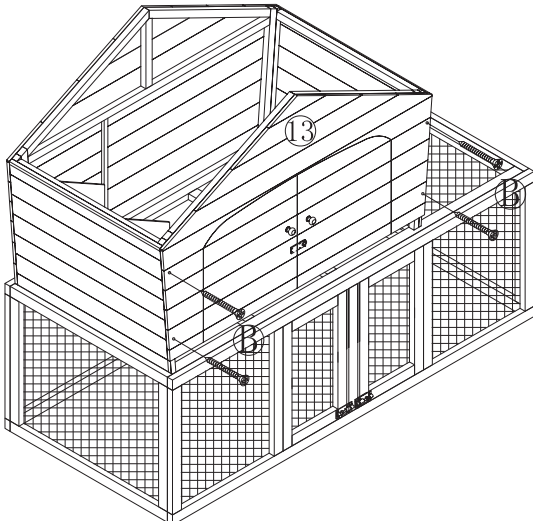
8

Attach part (9) to the structure using screws (B).



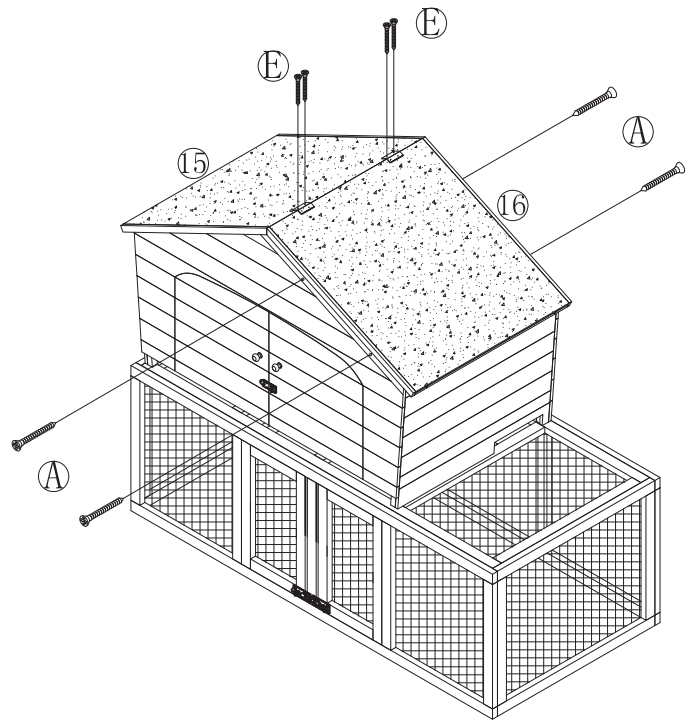
9

Attach part (13) to the structure using screws (B).



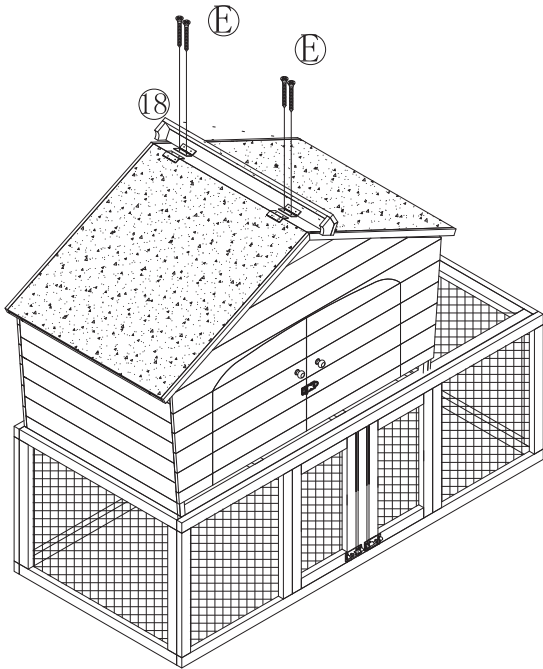
10

Secure part (16) onto the structure using screws (A).
Connect part (15) to part (16) using screws (E).



11

Attach part (18) onto the structure using screws (E).



12

Slide parts (17) and (19) into place as shown.

