



Guardian Angel®

Window Guards

The Solution to Preventing Tragic Window Falls.

The Guardian Angel® Window Guard is a set of removable steel bars designed to prevent children under the age of 5 from falling out of windows. Children have an eager desire to explore their surroundings. Sometimes this curiosity leads to dangerous situations. A child leaning against a window screen to see better outside is not unimaginable. The window screen will not keep a child safe from a fall. The Guardian Angel Window Guard is made to protect children from these harmful moments and to give parents peace of mind that a tragic window fall will not occur in their home.

Features

- Durable steel construction is designed to withstand 150 pounds of pressure.
- End posts attach to window frame with screws so it is installed securely over the window.
- Emergency release buttons allow for quick removal. Key release guards are also available.
- Spacing between bars is less than 4 inches to prevent children from crawling through.
- Fits most styles of windows including single/double hung, sliders, and casement windows.
- Sliding bars allow the guard to fit window widths and heights ranging from 14 inches up to 120 inches.
- Multiple guards can be stacked or installed next to each other to cover extra wide or extra high openings.
- Complies with American Society for Testing and Materials Standard for Window Fall Prevention Devices with Emergency Escape Release Mechanisms (ASTM F2090-01a).
- Easily installs into window frame with just a screwdriver or drill.
- Available in a glossy white, high-quality finish.
- Lifetime warranty.



Protect Your Children from Dangerous Falls

www.angelguards.com

Automatic Specialties, Inc.
422 Northboro Rd Central, Marlboro, MA 01752
Phone: 800-445-2370 or 508-481-2370 Fax: 508-485-6276
www.angelguards.com

The Guardian Angel Window Guard is manufactured and assembled entirely in the U.S.A. by Automatic Specialties Inc. Automatic Specialties has been manufacturing custom wire and metal products for over 40 years. With our extensive manufacturing experience and strong commitment to quality, we are providing parents with a product they can trust to ensure the safety of their children.

Guardian Angel® Window Guards

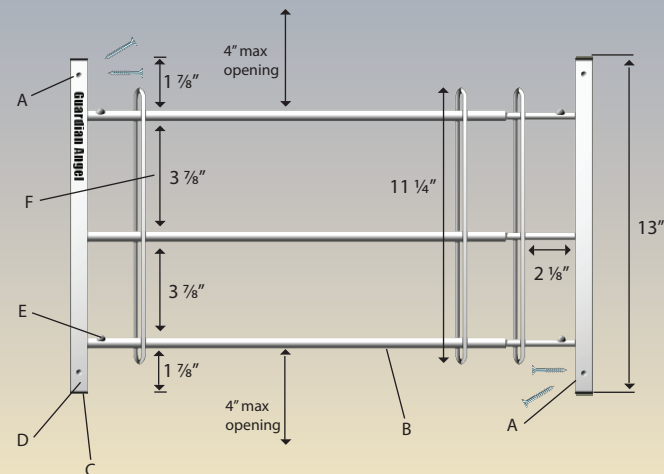
Model Number Chart

Window Height OR Width is between: *See notes below	Model Numbers	Number of Bars	Maximum Window Opening *See notes below
14 – 17 inches	1417-43 1417-44 1417-45	3 bars (13" length of end post) 4 bars (17 3/8" length of end post) 5 bars (21 3/4" length of end post)	17 1/4 inches 21 1/2 inches 26 inches
17 – 23 inches	1723-43 1723-44 1723-45	3 bars (13" length of end post) 4 bars (17 3/8" length of end post) 5 bars (21 3/4" length of end post)	17 1/4 inches 21 1/2 inches 26 inches
23 – 35 inches	2335-43 2335-44 2335-45	3 bars (13" length of end post) 4 bars (17 3/8" length of end post) 5 bars (21 3/4" length of end post)	17 1/4 inches 21 1/2 inches 26 inches
35 – 58 inches	3558-43 3558-44 3558-45	3 bars (13" length of end post) 4 bars (17 3/8" length of end post) 5 bars (21 3/4" length of end post)	17 1/4 inches 21 1/2 inches 26 inches
58 – 90 inches	5890-43 5890-44 5890-45	3 bars (13" length of end post) 4 bars (17 3/8" length of end post) 5 bars (21 3/4" length of end post)	17 1/4 inches 21 1/2 inches 26 inches
90 – 120 inches	7320-43 7320-44 7320-45	3 bars (13" length of end post) 4 bars (17 3/8" length of end post) 5 bars (21 3/4" length of end post)	17 1/4 inches 21 1/2 inches 26 inches

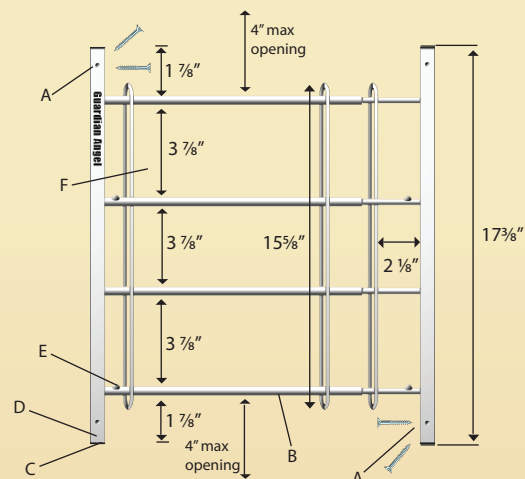
Important Notes

- In a single/double hung window, the guard is usually installed so the sliding bars are horizontal and covers the entire width of the window. The first column above represents the width of the window. The last column represents the height of the opening.
- In a sliding or casement window, the guard is usually installed so the sliding bars are vertical and covers the entire height of the window. The first column above represents the height of the window. The last column represents the width of the opening.
- Measure windows prior to selecting model (see measuring instructions).
- There must not be any open spaces exceeding 4 inches when the window is completely open.
- If the window opening exceeds the "Maximum Window Opening" noted above, more than one guard will be required to cover the window (see measuring instructions). Window stops may also be used to prevent window from moving beyond guard.

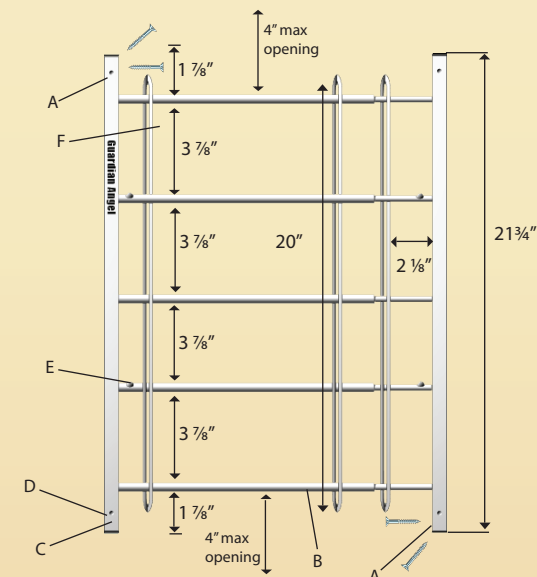
3 Bar Guard



4 Bar Guard



5 Bar Guard



*The above illustrations show the Guardian Angel Window Guard in a horizontal position. In the vertical state the dimensions of the guard remain the same.

- A. End posts attach to window frame or molding with screws (4 screws per guard).
- B. Sliding bars expand to fit various heights or widths.
- C. End posts can be stacked or placed adjacent to each other to cover extra wide or extra high openings.
- D. Each end post is 3/4" wide.
- E. Emergency release button (each guard has 4).
- F. Spacing between bars is less than 4 inches.



Contact us: www.angelguards.com or 1-800-445-2370