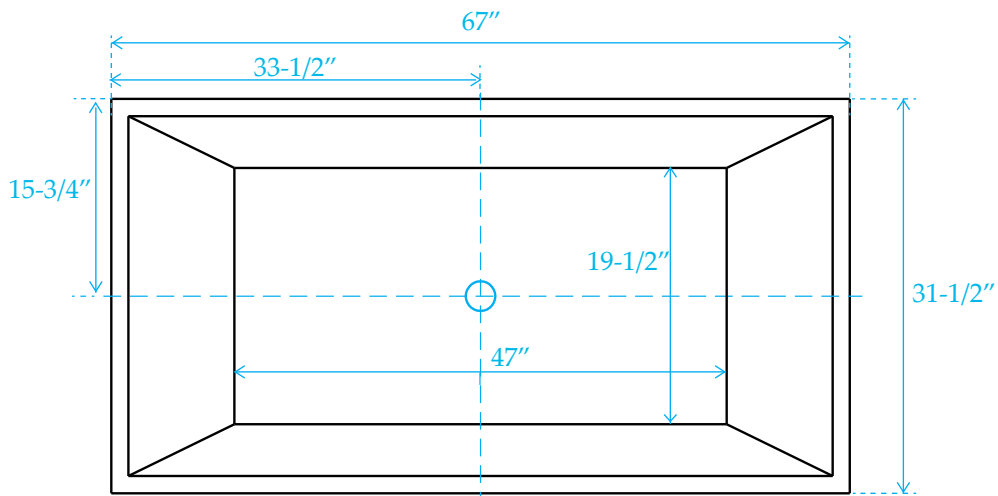
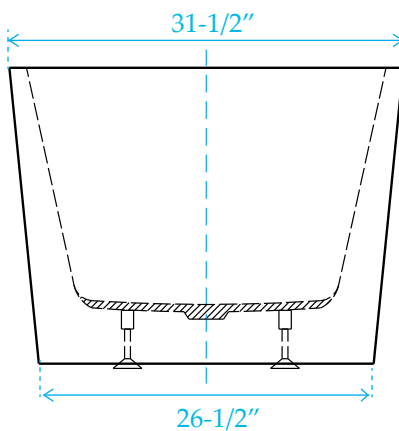
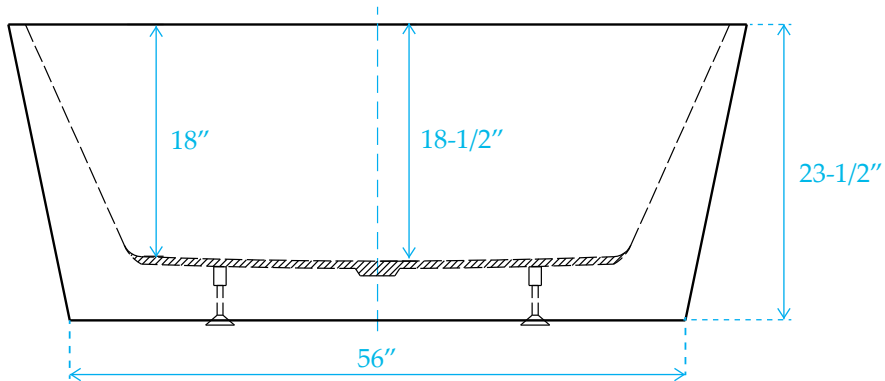


# WYNDHAM COLLECTION

Exterior Size - 67" L x 31-1/2" W x 23-1/2" H  
Depth at Drain - 18-1/2"  
Maximum Fill - 92 Gallons  
Note - All Measurements are  $\pm 1/2$ "



WC-BTK1514-67