



LAVATORY FAUCET

- **"Signature Collection"**
- **Single-Handle Deck Mount**
- **3-Hole Installation**
- **4" Centerset**

STANDARD SPECIFICATIONS

- 4" centerset
- Ceramic disc cartridge
- 1/2" NPSM threaded male inlet shanks
- Pop-up drain included
- Maximum flow rate 2.2gpm @ 60 PSI

FINISHES INCLUDE

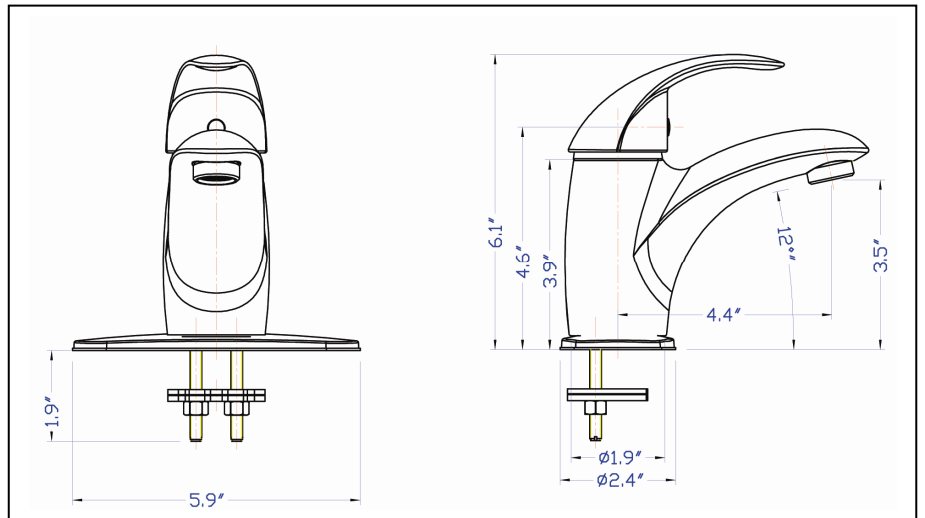
- Chrome (UF34120)
- Brushed nickel (UF34123)
- Oil rubbed bronze (UF34125)

WARRANTY

- Ultra Faucets warrants to the original purchaser that its products will be free from defects in workmanship and materials. All Ultra Faucets are provided with a lifetime limited warranty. See assembly instruction for detail.

COMPLIES WITH

- NSF 61-9
- ASME A112.18.1
- CSA B125.1
- cUPC
- AB1953



tel. 888-OK-ULTRA (658-5872) • fax. 949-225-6099 • <http://www.ultrafaucets.com>

This specification is provided for reference only. Ultra Faucets reserve the right to modify specifications and materials without notice or obligation.