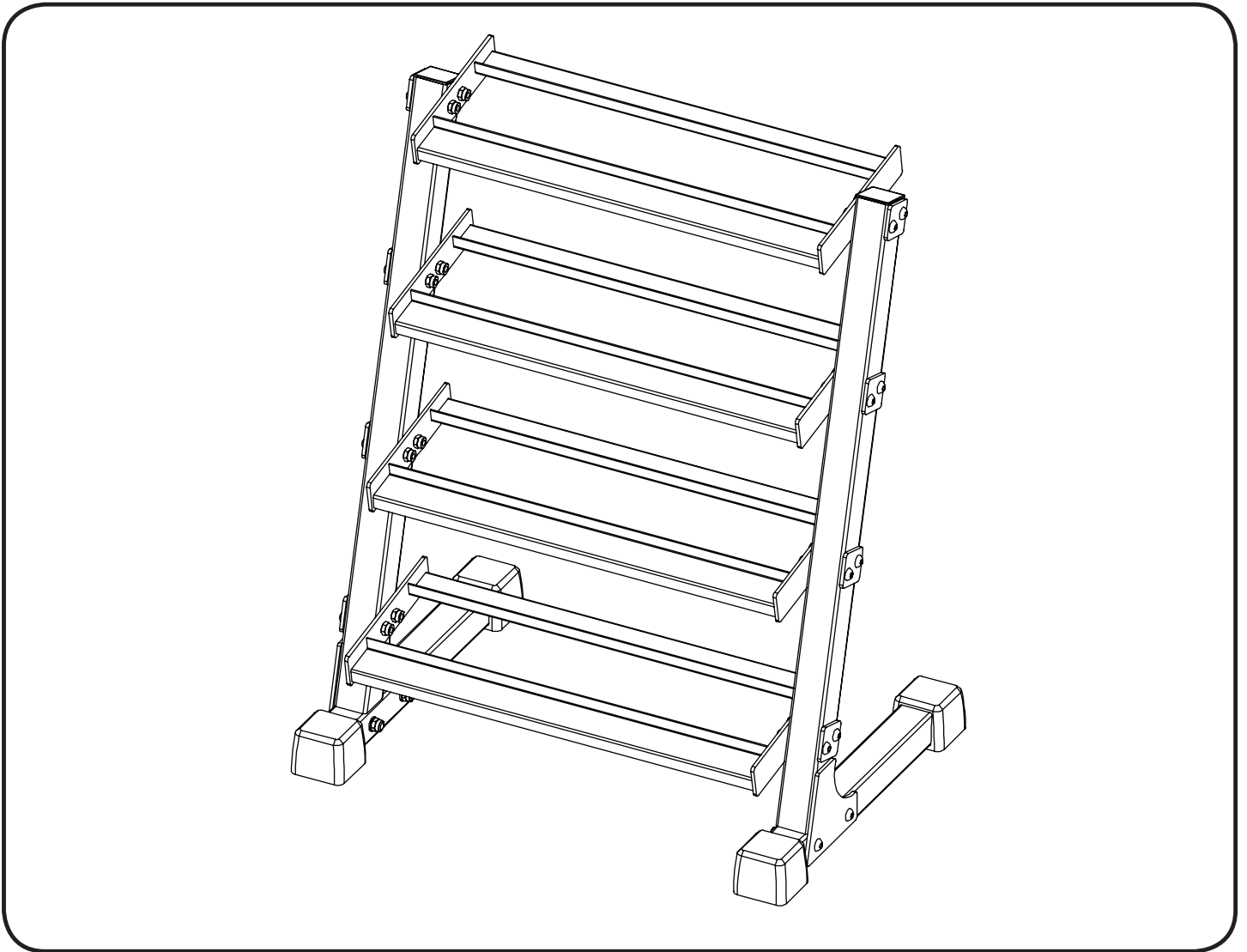




XM-3109

3' FOUR TIER DUMBBELL RACK

Owner's Manual



! CAUTION

Read all precautions and instructions in this manual before using this equipment.

Before You Begin	3
Important Safety Information	4
Parts Identifier	5
Assembly	6-8
Exploded View	9
Parts List	10
Warranty Information	11

Before You Begin



THANK YOU for making this unit a part of your exercise program. XMARK Fitness assures the very best in value, appearance, durability and biomechanics.

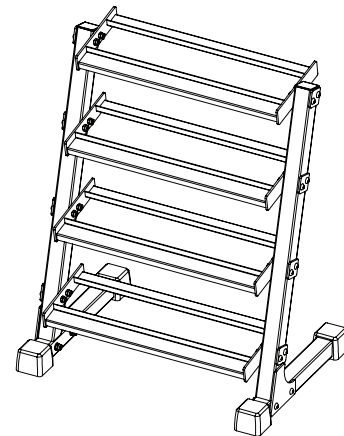
This manual will guide you through the assembly process. If at any time you are having trouble with the assembly or use of this product, then please contact us at our Xmark Fitness help line. We have trained service technicians on site to take care of you, our valued customer.

REGISTRATION CARD

To avoid unnecessary delays in warranty parts and to insure that a permanent record of your purchase is on file with our company, be sure to send in the warranty registration card or register online at www.xmarkfitness.com within 10 days of purchase.

MAILING ADDRESS

XMARK Fitness
7501 Trammel Drive
Shreveport, LA 71108



QUESTIONS?
CALL 1-800-719-4605

Monday-Friday
8:30 a.m.-5:00 p.m.
(Central Standard Time)

XMARK FITNESS SERIES
MODEL: XM-3109

When calling please have the following product information available:

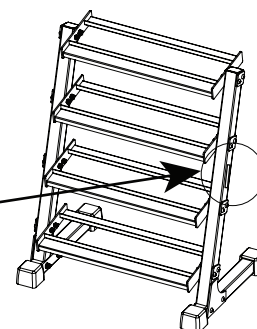
Model Name: XM-3109

Date Mfg.:

PO #:

Serial #:

Model Name Decal Location



NOTE: Hand tighten bolts and nylon nuts until machine is fully assembled.

Prior to assembly, remove components from the box and verify that all the listed parts were supplied.

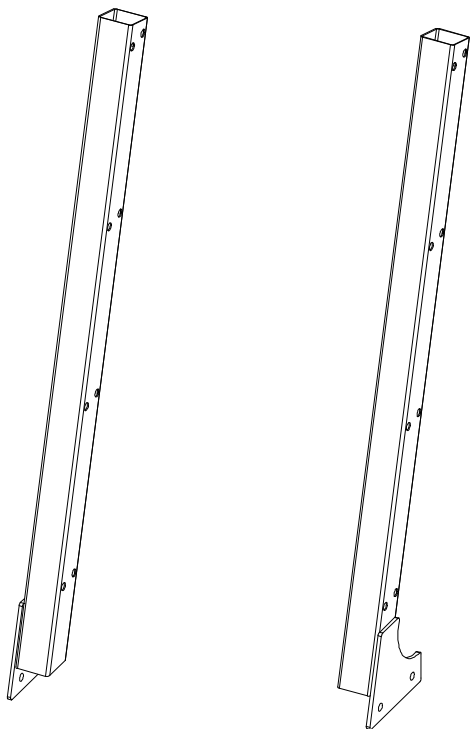
SAFETY INFORMATION WARNING!

Before using this unit or starting any exercise program, consult your physician. This is especially important for persons over the age of 35 and/or persons with pre-existing health problems. XMARK Fitness assumes no responsibility for personal injury or property damage sustained by or through the use of this product.

It is the owner's responsibility to ensure that all users of this unit have read the Owner's Manual and are familiar with safety information and precautions.

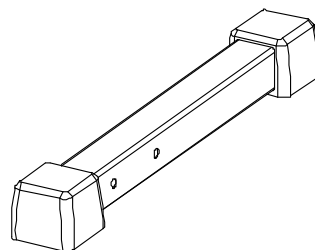
SAFETY PRECAUTIONS

- This unit should only be used on a level surface and is intended for indoor use only. XMARK Fitness recommends an equipment mat be placed under the unit to protect the floor or carpet and for easier cleaning.
- Wear comfortable, good-quality walking or running shoes and appropriate clothing. Do not use this unit with bare feet, sandals, socks or stockings!
- Always examine your unit before using to ensure all parts are in working order.
- Do not leave children unsupervised near or on the unit.
- Service to your unit should only be performed by an authorized service representative, unless authorized and/or instructed by a XMARK Fitness technician. Failure to follow these instructions will void the warranty.

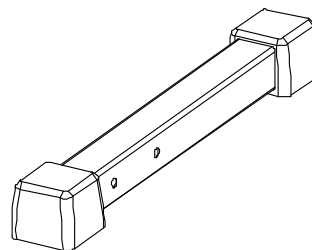


(#2A) MAIN FRAME - LEFT

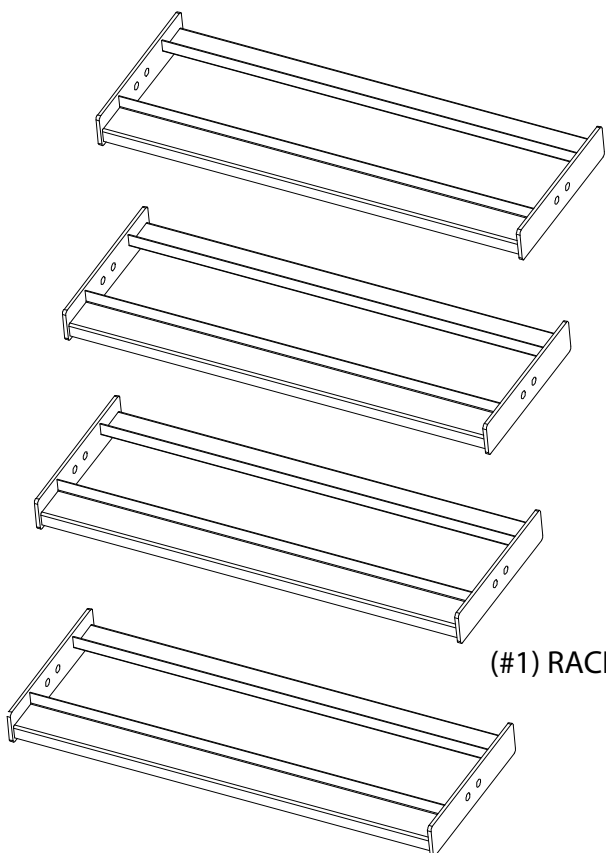
(#2) MAIN FRAME - RIGHT



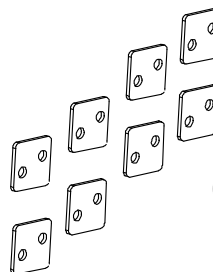
(#3A) BASE FRAME, LEFT



(#3) BASE FRAME, RIGHT



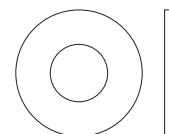
(#1) RACK



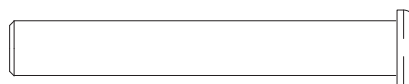
(#4) SQUARE BRACKET



(#9) LOCKNUT, M10



(#8) WASHER, M10



M10 x 70MM ALLEN BOLT(#7) QTY 20

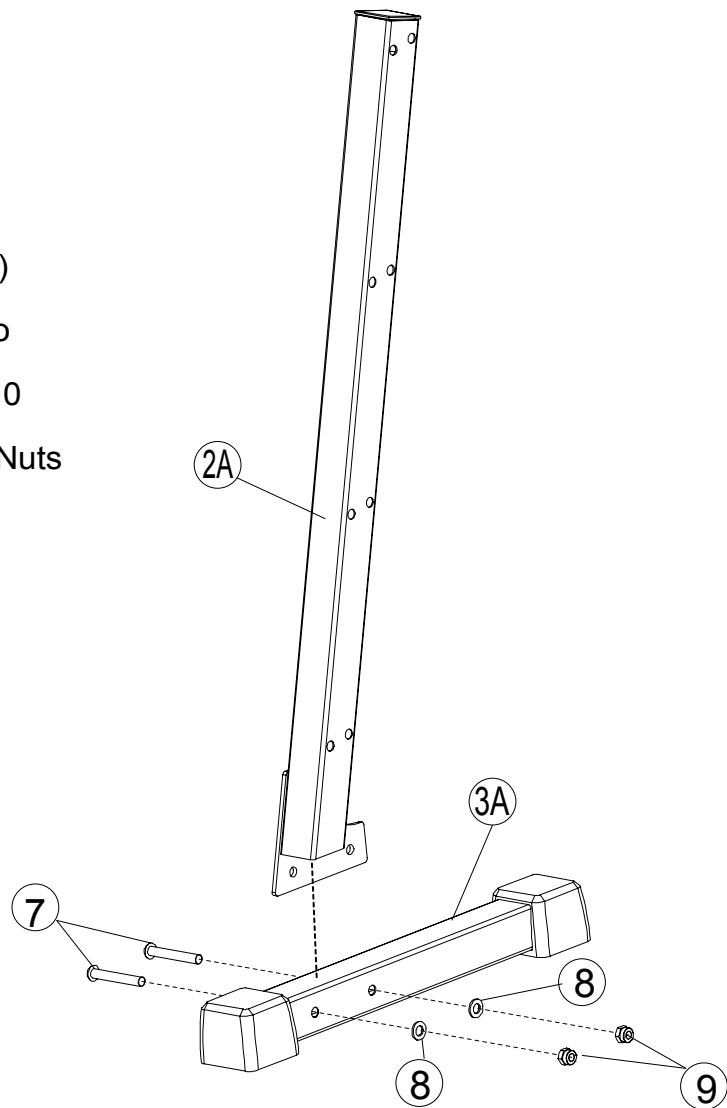
Prior to assembly, remove components from the box and verify that all the listed parts were supplied.

Unpack all parts and place them in a clear area. Be sure to remove all packing material.

NOTE: Hand tighten bolts and lock nuts until machine is fully assembled.

STEP 1

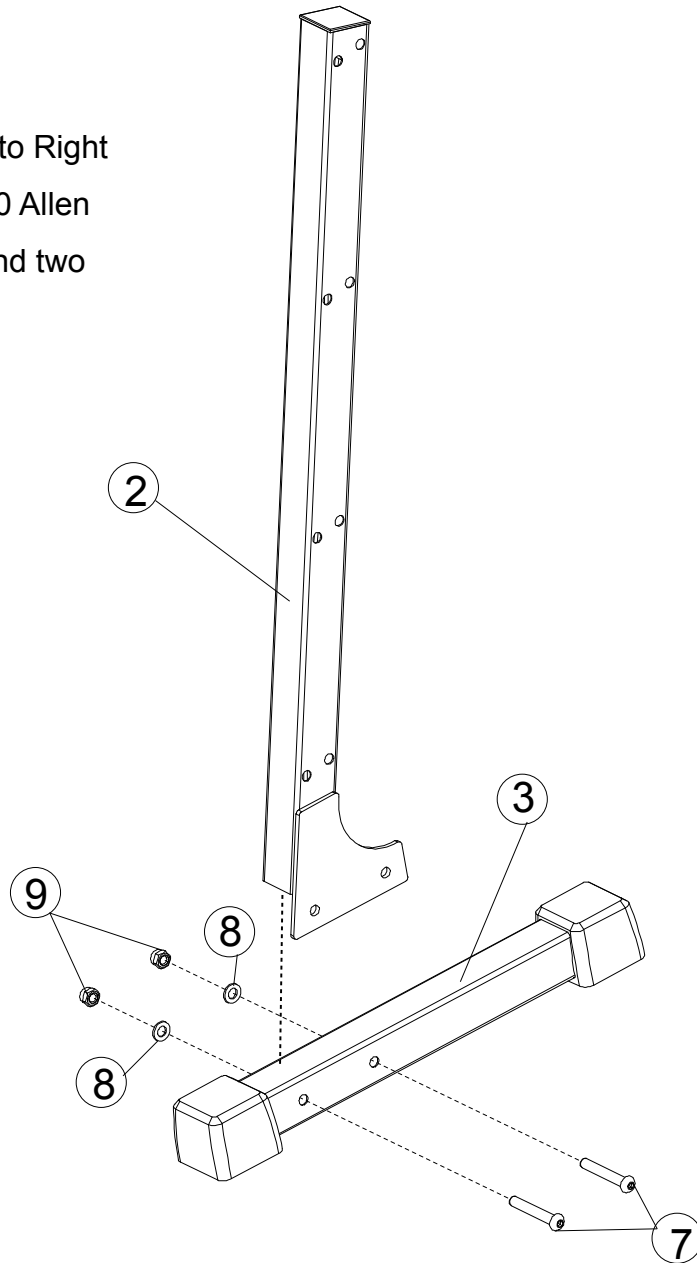
Connect Left Upright Frame (2A) to Left Base Frame (3A) with two M10 x 70 Allen Bolts (7), two M10 Washers (8) and two M10 Lock Nuts (9).



NOTE: Hand tighten bolts and lock nuts until machine is fully assembled.

STEP 2

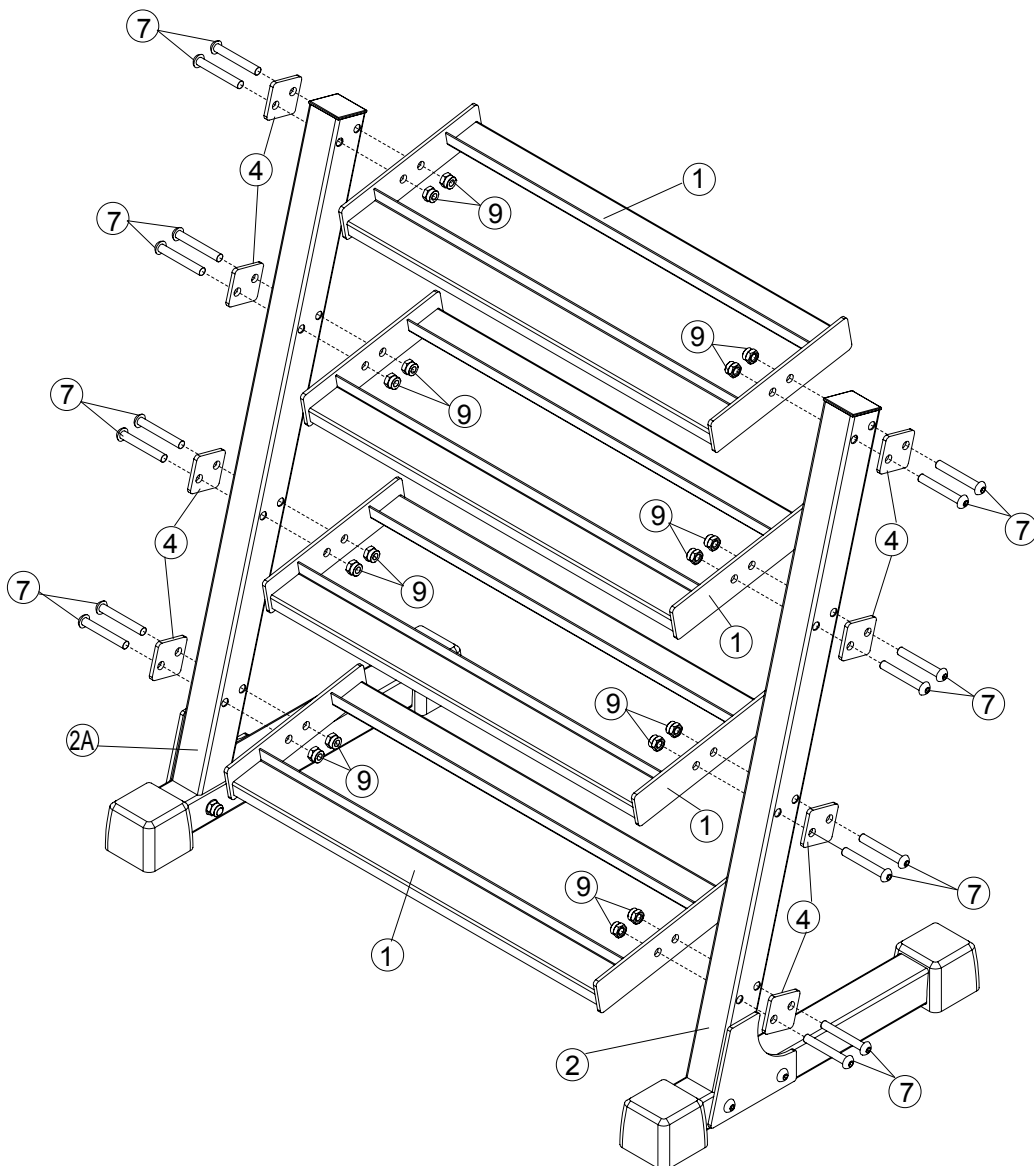
Connect Right Upright Frame (2) to Right Base Frame (3) with two M10 x 70 Allen Bolts (7), two M10 Washers (8) and two M10 Lock Nuts (9).



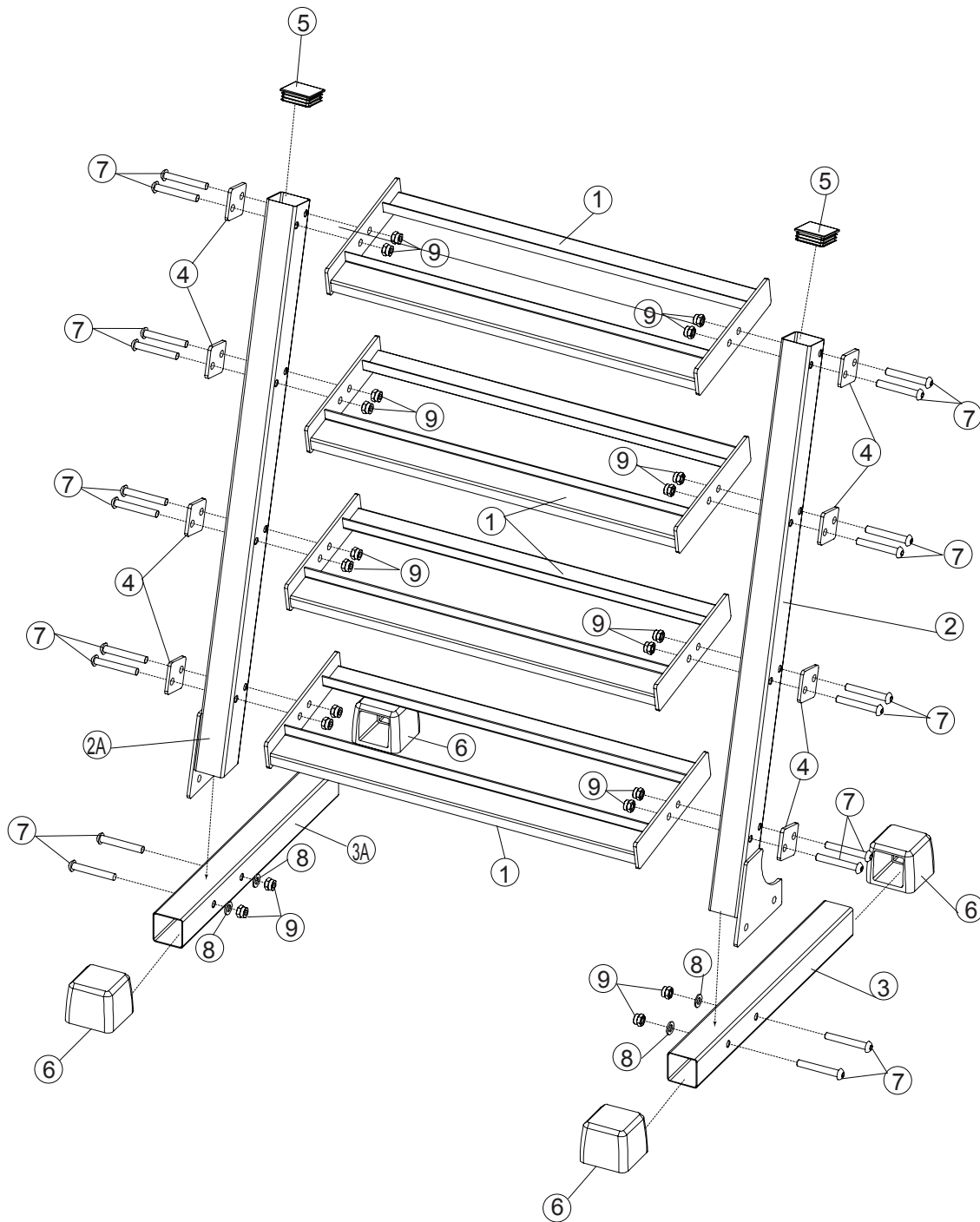
NOTE: Hand tighten bolts and lock nuts until machine is fully assembled.

STEP 3

Attach Dumbbell Racks (1) to Left and Right Upright Frames (2A) (2) with eight Square Brackets (4), sixteen M10 x 70 Allen Bolts (7) and sixteen M10 Washers (9).



Exploded View



XM-3109Parts List

Key NO.	Part No.	Description	Qty
1	204053301503	RACK, DUMBBELL 3FT	4
2	204057201503	UPRIGHT FRAME, RIGHT	1
2A	204057299503	UPRIGHT FRAME, LEFT	1
3	204053201503	BASE FRAME, RIGHT	1
3A	204053201503	BASE FRAME, LEFT	1
4	204053103503	BRACKET, SQUARE	8
5	307010000270	PLUG, INNER SQUARE 50	2
6	307010000042	SQUARE END FOOT 50	4
7	306010020728	ALLEN BOLT, M10X70	20
8	306010023108	WASHER, M10	4
9	306010022504	LOCK NUT, M10	20
10	306990000144	WRENCH, ALLEN S=6	1
11	299057204500	BOLT PACK	1
12	308030000383	MANUAL XM-3109	1

XMARK FITNESS LIMITED LIFETIME WARRANTY

THIS PRODUCT IS INTENDED FOR RESIDENTIAL USE ONLY

This Warranty applies only in the United States and Canada to products manufactured or distributed by XMARK Fitness under the XMARK Fitness brand name. This product is backed by a lifetime residential warranty, excluding only expendable parts such as paint, finish and vinyl. This warranty extends only to you, the original purchaser. It is not transferable to anyone who subsequently purchases the product from you.



XMARK Fitness warrants that the product you have purchased for non-commercial, personal, family, or household use from XMARK Fitness is free from defects in materials or workmanship under normal use during the warranty period. Your sales receipt, showing the date of purchase of the product, is your proof of the date of purchase. This warranty becomes **VALID ONLY** if the product is assembled / installed according to the instructions / directions included with the product.

- During the warranty period XMARK Fitness will repair or replace (at XMARK Fitness' option) the product if it becomes defective, malfunctions, or otherwise fails to conform with this Warranty under normal use. In repairing the product, XMARK Fitness may replace defective parts with new, or at the option of XMARK Fitness, serviceable used parts that are equivalent to new parts in performance. All exchanged parts and products replaced under this warranty will become the property of XMARK Fitness. XMARK Fitness reserves the right to change manufacturers of any part to cover any existing warranty.
- This warranty **DOES NOT COVER** shipping charges, export taxes, custom duties and taxes, or any other charges associated with transportation of the parts or product. To obtain warranty service, you must contact an XMARK Fitness customer service representative at our phone number located in this manual. Any parts determined to be defective must be returned to XMARK Fitness to obtain warranty service. You must prepay any shipping charges, export taxes, custom duties and taxes, or any other charges associated with transportation of the parts or product. In addition, you are responsible for insuring any parts or product shipped or returned. You assume the risk of loss during shipment. You must present XMARK Fitness with proof-of-purchase documents (including the date of purchase). Any evidence of alteration, erasure, or forgery of proof-of-purchase documents will be cause to void this warranty.
- This warranty does not extend to any product not purchased from XMARK Fitness. This Limited / Lifetime Warranty does not extend to any product that has been damaged or rendered defective; (a) as a result of accident, misuse, or abuse; (b) by the use of parts not manufactured or sold by XMARK Fitness; or (c) by modification of the product. Product on which the serial number has been defaced or removed is not eligible for warranty service. Should any product submitted for warranty service be found ineligible, an estimate of repair cost will be furnished and the repair will be made if requested by you upon XMARK Fitness' receipt of payment or acceptable arrangements for payment.

EXCEPT AS EXPRESSLY SET FORTH IN THIS WARRANTY, XMARK FITNESS MAKES NO OTHER WARRANTIES, EXPRESSED OR IMPLIED, INCLUDING ANY IMPLIED WARRANTIES OF MERCHANTABILITY AND FITNESS FOR A PARTICULAR PURPOSE. XMARK FITNESS EXPRESSLY DISCLAIMS ALL WARRANTIES NOT STATED IN THIS LIMITED/LIFETIME WARRANTY. ANY IMPLIED WARRANTIES THAT MAY BE IMPOSED BY LAW ARE LIMITED TO THE TERMS OF THIS WARRANTY. NEITHER XMARK FITNESS NOR ANY OF ITS AFFILIATES SHALL BE RESPONSIBLE FOR INCIDENTAL OR CONSEQUENTIAL DAMAGES. SOME STATES DO NOT ALLOW LIMITATIONS ON HOW LONG AN IMPLIED WARRANTY LASTS OR THE EXCLUSION OR LIMITATION OF INCIDENTAL OR CONSEQUENTIAL DAMAGES, SO THE ABOVE LIMITATIONS OR EXCLUSIONS MAY NOT APPLY TO YOU.

This Limited / Lifetime Warranty gives you specific legal rights and you may also have other rights that may vary from state to state. This is the only express warranty applicable to XMARK Fitness branded products. XMARK Fitness neither assumes nor authorizes anyone to assume for it any other express warranty.



XMARK Fitness

7501 Trammel Drive

Shreveport, LA 71108

Customer Service: 1-800-719-4605