





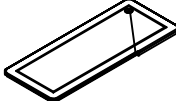
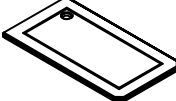



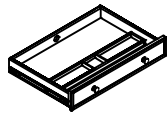
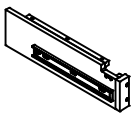
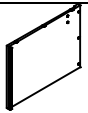




Hardware List (included in GT266RB1)

 29PCS Machine Bolts (1-1/4")	 2 PCS Metal Grommet
 8 PCS Long (1-1/4") Flat Head Wood Screws	 2 PCS Keys For File Drawer Lock
 20 PCS Short (1") Flat Head Wood Screws	 6 PCS Wood Dowels (Ø8x25mm)


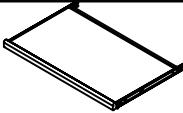
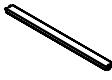
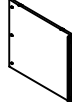

GT266RT Parts List

B	R1 DESK TOP	1 PC	J	R2 DESK TOP	1 PC
					

GT266RB1 Parts List

A	R1B PEDESTAL	1 PC	C	DROP FRONT CENTER DRAWER	1 PC	D	RHS GLIDE PANEL	1 PC
								
E	BACK PANEL	1 PC	F	BACK PANEL EXTENSION	1 PC	G	RSF SIDE PANEL	1 PC
								
H	CROSS BAR	1 PC	I	L-SHAPED RHS PANEL	1 PC			
								

GT266RB2 Parts List

K	R2B PEDESTAL	1 PC	L	KEYBOARD PULLOUT	1 PC	M	CROSS BAR	1 PC
								
N	BACK PANEL	1 PC	O	L-SHAPED LHS PANEL	1 PC			
								

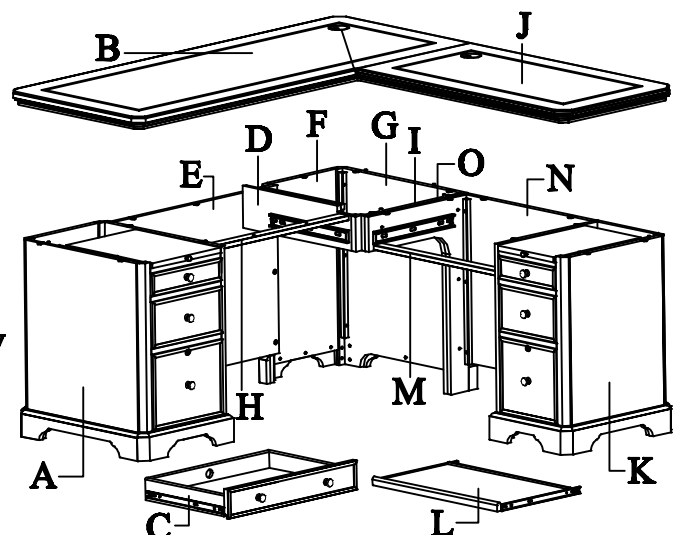
Thank you for purchasing Winners Only Inc. product. This product has been designed for easy assembly and constructed for durability.

Please take the time to read and follow the assembly instructions.

If a part or hardware is missing or you have any difficulties in assembling this product, please contact us.

Those are the non included tools needed to successfully assemble your new desk:

Phillips screw driver or Power Drill (recommended). Mallet.



IMPORTANT NOTE :

Please keep all hardware parts out of the reach of children.

Notes: Need two people to assemble.

Instructions:

Chart 1

Step 1. Align the R1B pedestal (A) & back panel extension (F) to the back panel (E), insert and tighten with 1-1/4" machine bolts (6PCS).

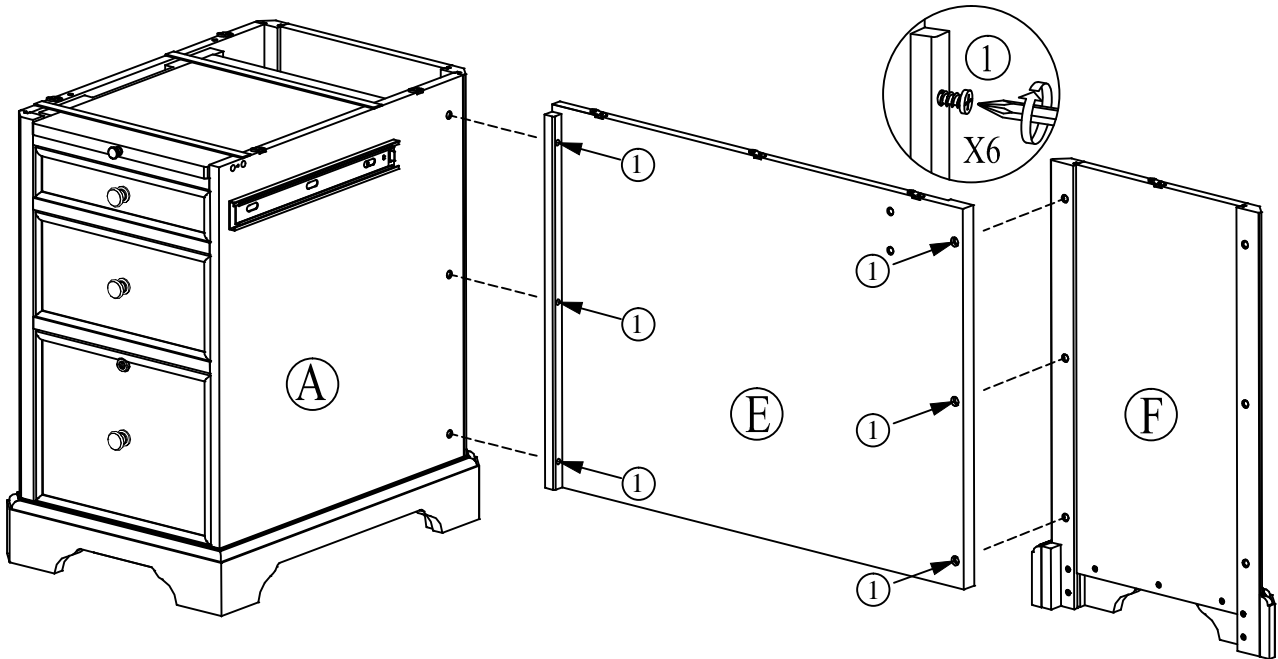


Chart 2

Step 2. Align the RSF side panel (G) to the back panel extension (F) and the L-shaped RHS panel (I) to the RSF side panel (G), insert and tighten with 1-1/4" machine bolts (6PCS).

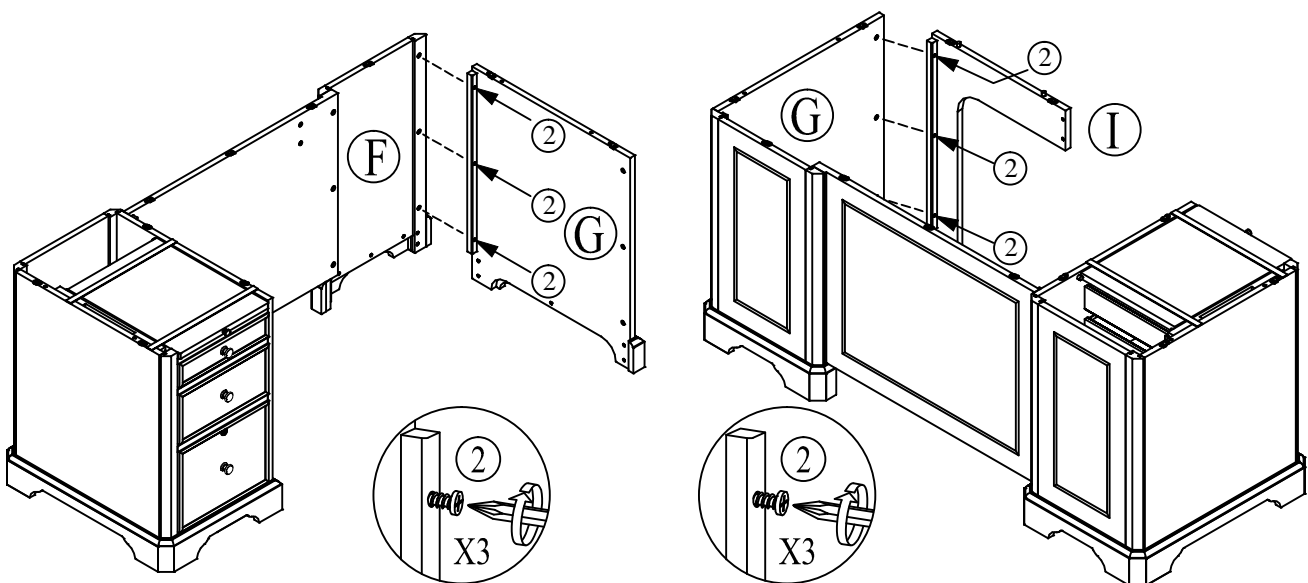


Chart 3

- Step 3. Use 1-1/4" machine bolts (4PCS) to connect RHS glide panel (D) to L-shaped RHS panel (I) and back panel (E).
- Step 4. Using a Mallet, carefully insert Cross Bar (H) to the R1B pedestal (A) and RHS glide panel (D), tighten with 1-1/4" flat head wood screws (2 PCS) to Cross Bar (H) from R1B pedestal (A) side and from RHS glide panel (D) side.
- Step 5. Hammer the **wood dowels** (4 PCS) on the R1B pedestal (A) and RSF side panel (G).
- Step 6. Loosen the screw to adjust **metal figure 8** (12 PCS) of its direction of the panel and re-screw.

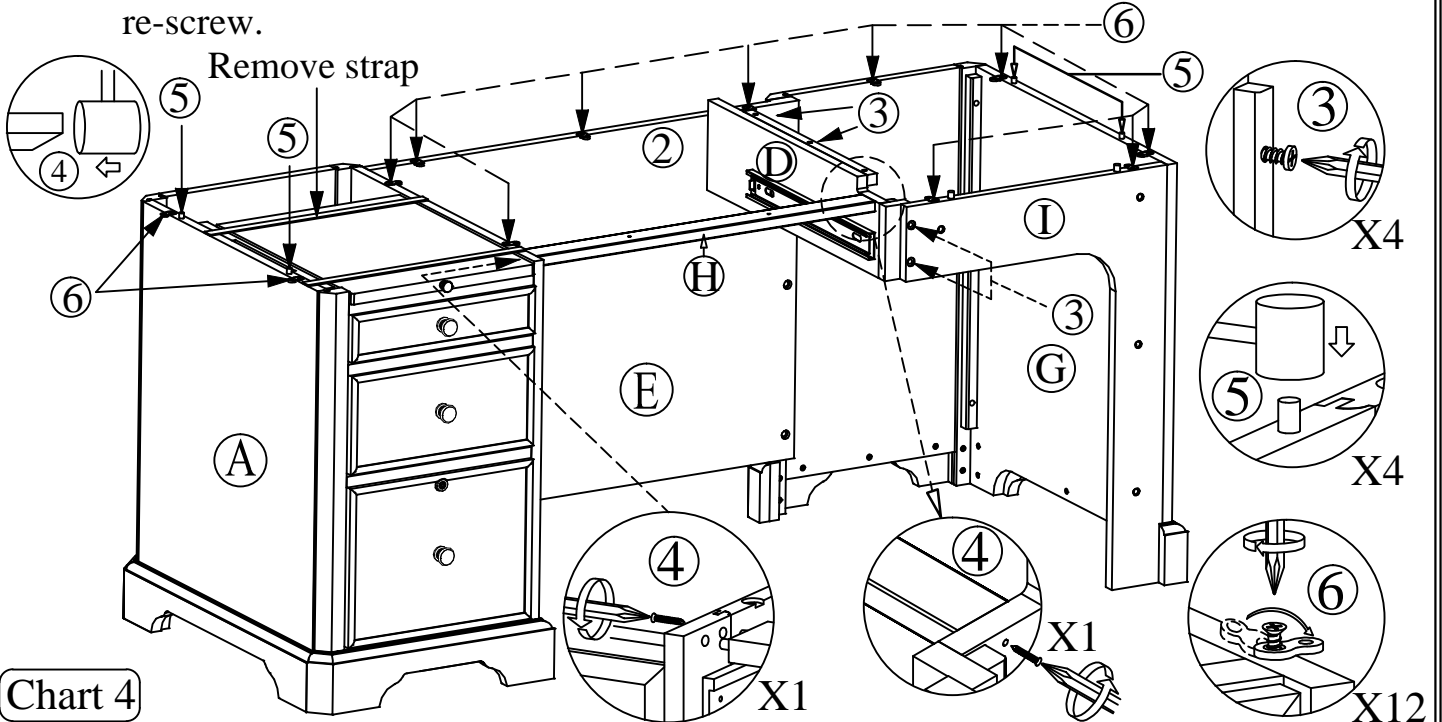


Chart 4

- Step 7. Insert **short (1") flat head wood screws** (12 PCS) through metal figure 8 to connect R1 desk top (B) and base.
- Step 8. Use 1-1/4" machine bolts (3 PCS) and (1-1/4") flat head wood screws (2pcs) to connect the RHS glide panel (D) and R1 desk top (B).
- Step 9. Use **long(1-1/4")flat head wood screws** (2 PCS) to connect Cross Bar (H) to R1 desk top (B).

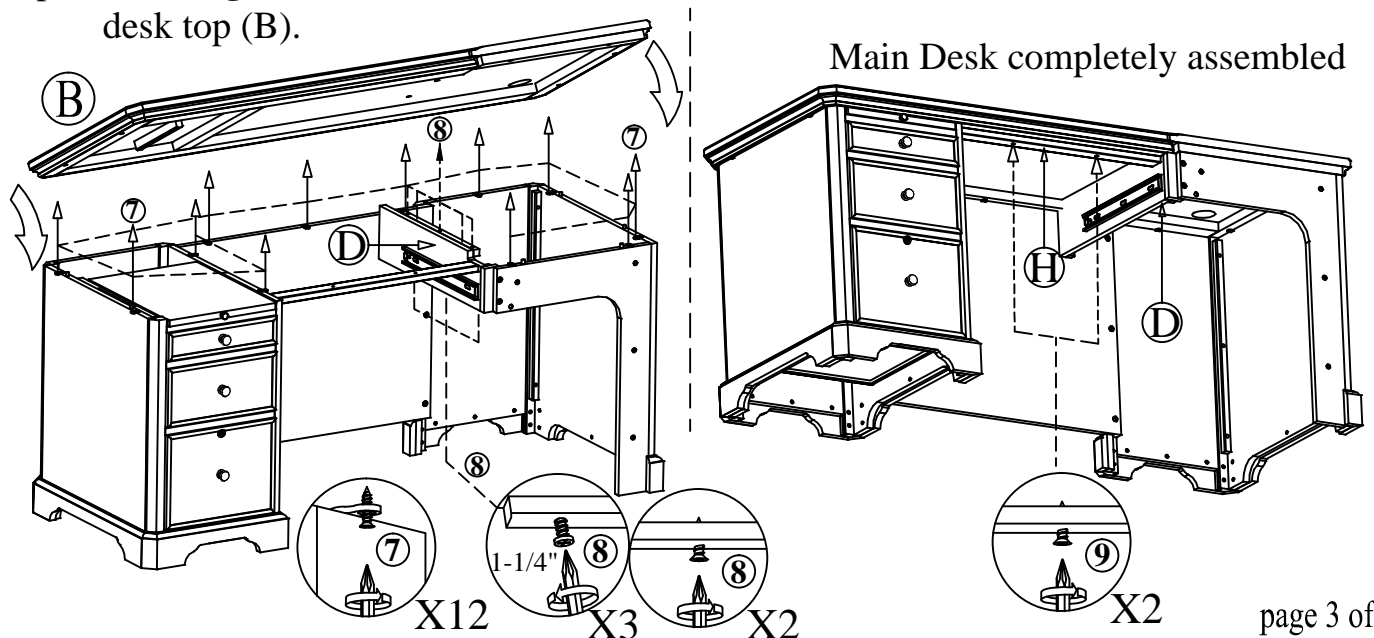


Chart 5

Step 10. Align the R2B pedestal (K) & L-shaped LHS panel (O) to the back panel (N), insert and tighten with 1-1/4" machine bolts (6PCS).

Step 11. Using a Mallet, carefully insert Cross Bar (M) to the L-shaped LHS panel (O) and R2B pedestal (K), tighten with 1-1/4" flat head wood screws (2 PCS).

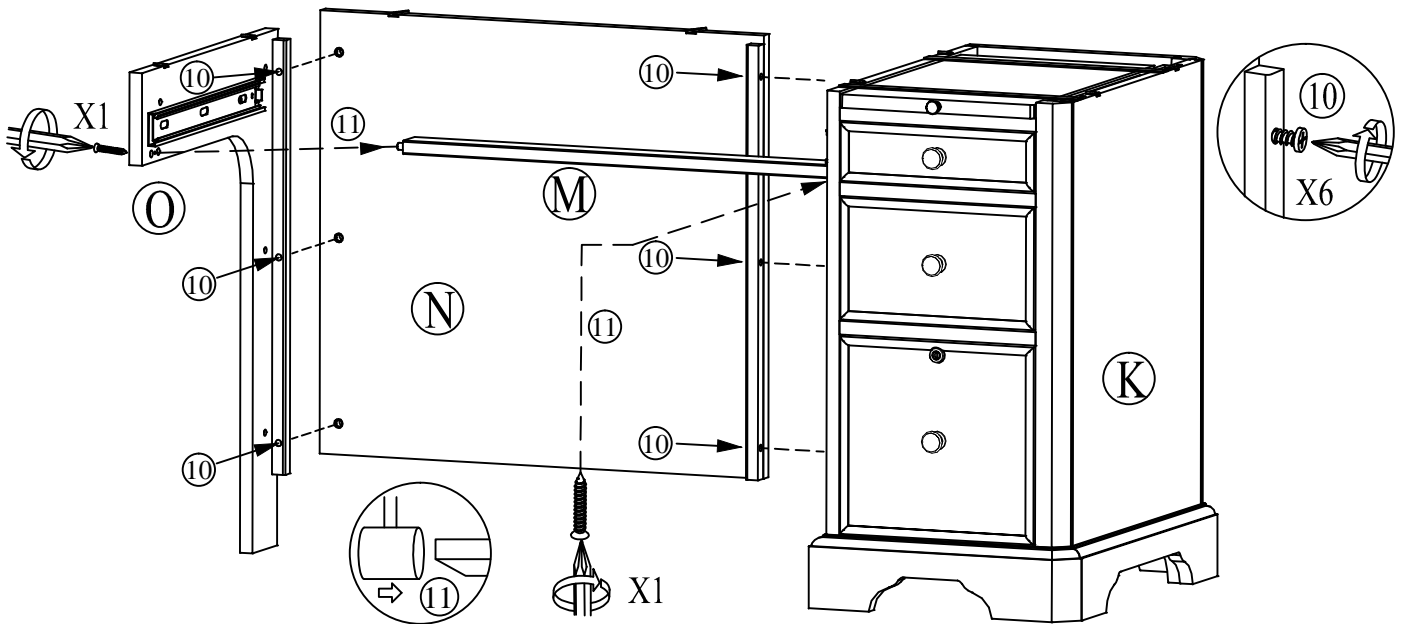


Chart 6

Step 12. Assemble the Return Desk to the Main Desk by using four 1-1/4" machine bolts (4PCS) to attach connecting board.

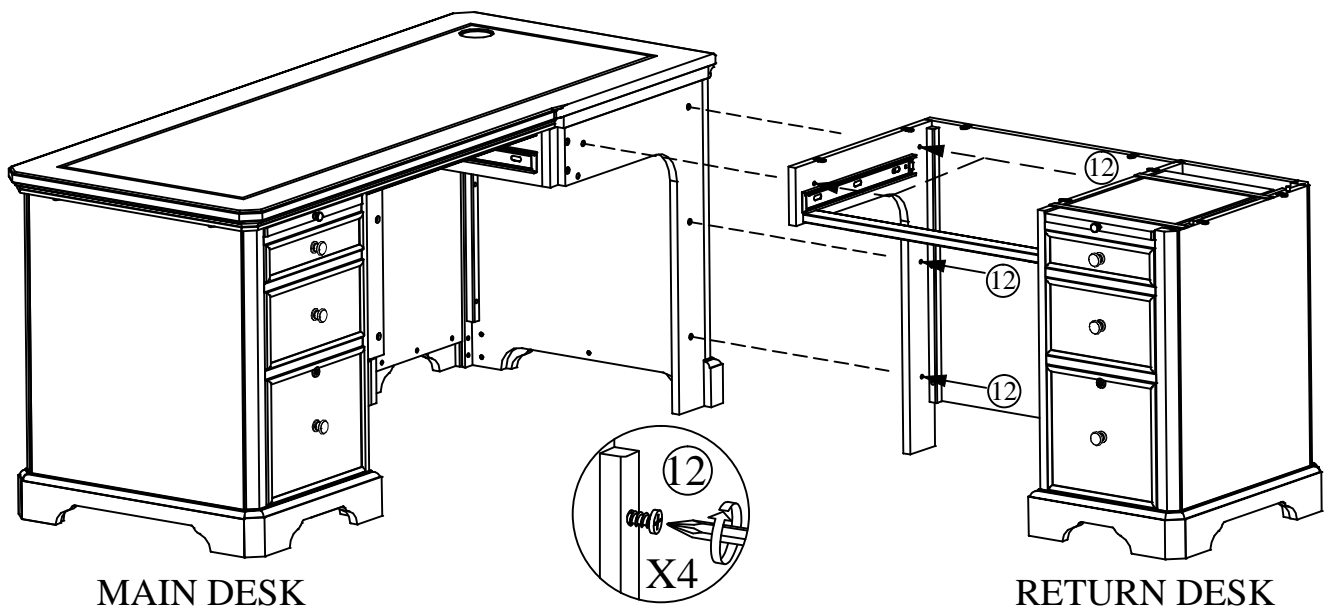


Chart 7

Step 13. Hammer the **wood dowels** (2 PCS) on the R2B pedestal (K) .

Step 14. Loosen the screw to adjust **metal figure 8** (8 PCS) of its direction of the panel and re-screw.

Step 15. Insert **short (1") flat head wood screws** (8 PCS) through metal figure 8 to connect R2 desk top (J) and base.

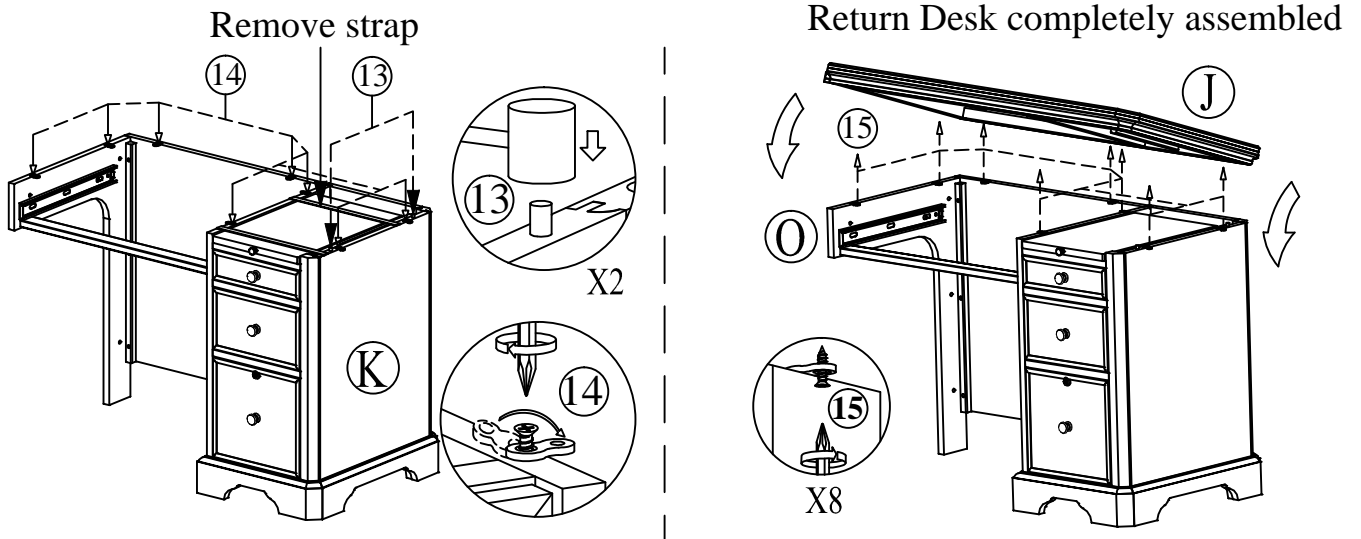


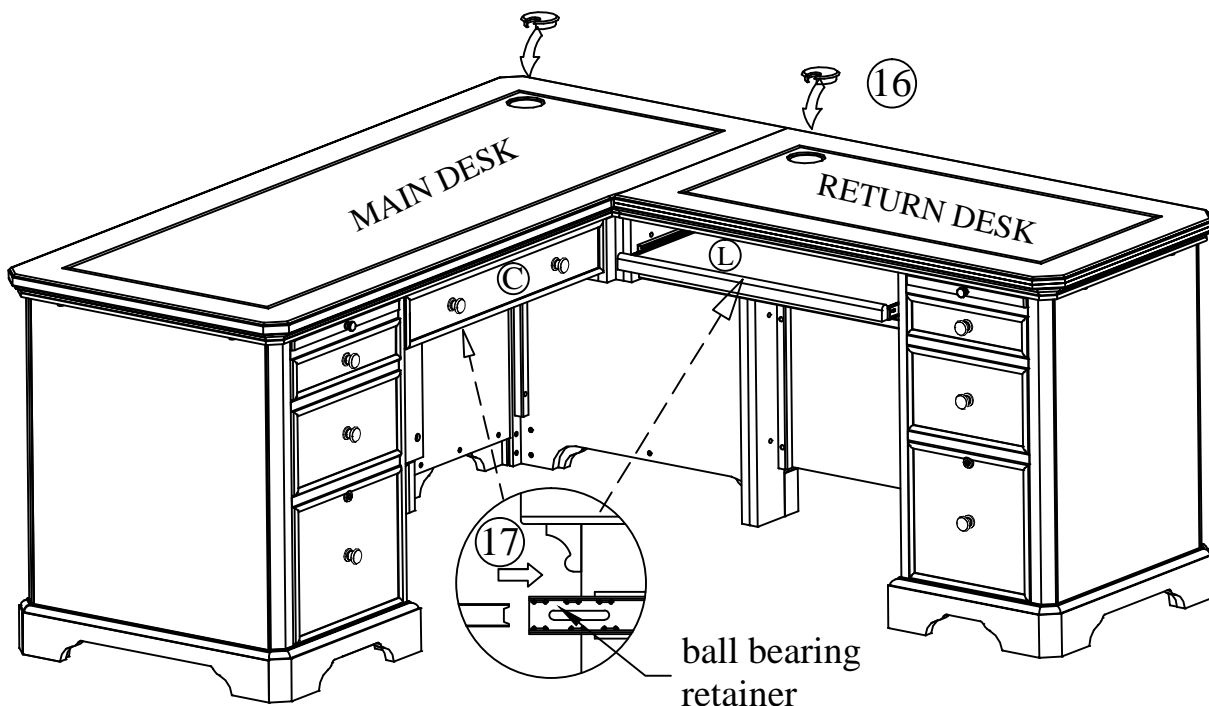
Chart 8

Step 16. Insert the two Grommets on top of the Main Desk and Return Desk.

Step 17. Install the drop front center drawer (C) and keyboard pullout (L) to place.

Important:

(Be sure to move the ball bearing retainer all the way to the front of the glide and carefully slide the rails into the glides and ball bearing retainer.)



Assembly is now complete