




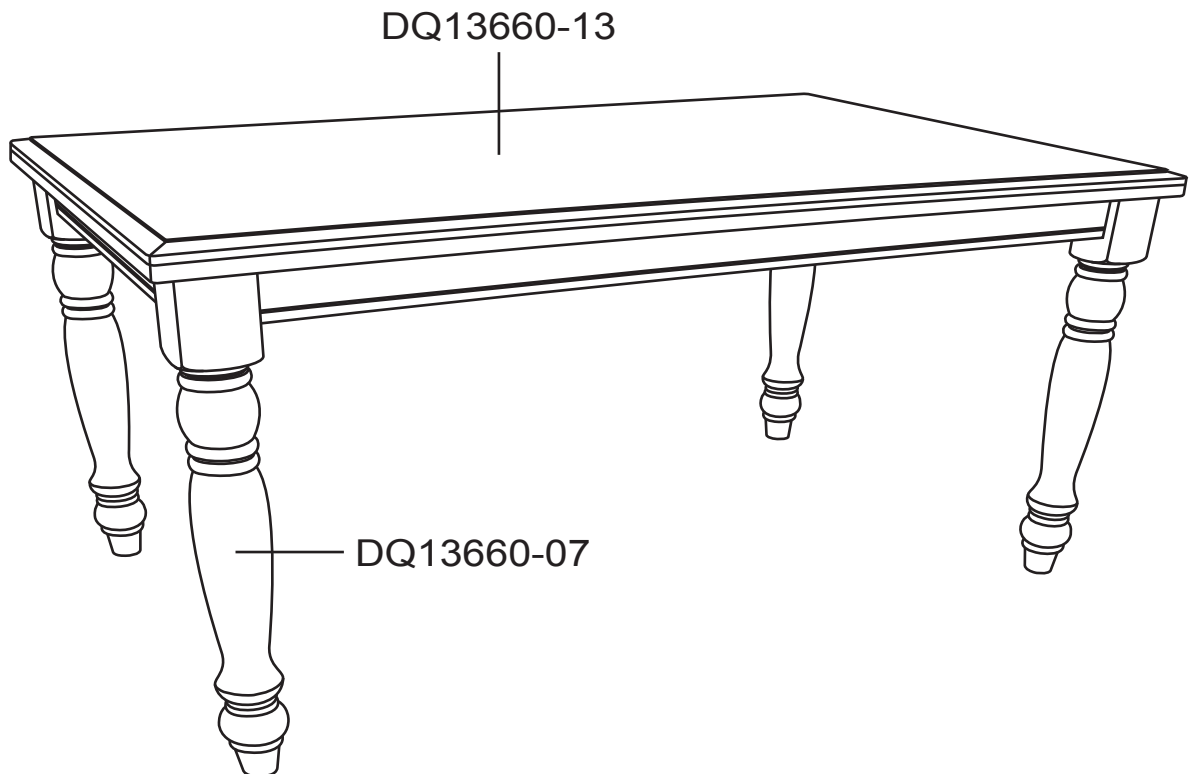
Assembly Instructions

DQ13660

RECTANGULAR SOLID FIXED TOP TABLE

PARTS LIST

PART NO	FIGURE	DESCRIPTION	Q'TY
DQ13660-01		Hardware Bag	1 Pc
DQ13660-13		Table Top	1 Pc
DQ13660-07		Leg	4 Pcs




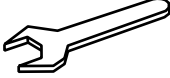


Assembly Instructions

DQ13660

RECTANGULAR SOLID FIXED TOP TABLE

HARDWARE PARTS :

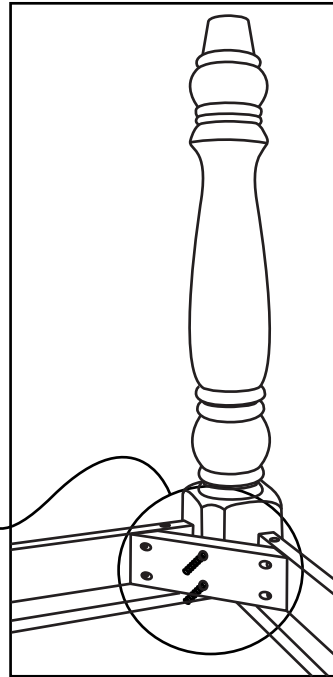
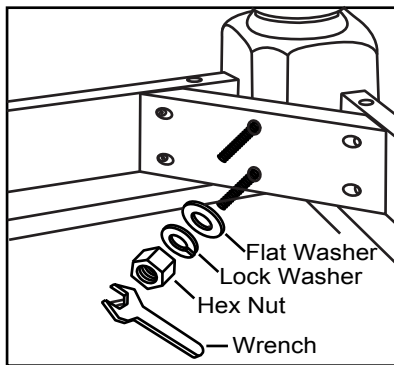
			
5/16" Hex Nut 8 pcs	5/16" Lock Washer 8 pcs	5/16" Flat Washer 8 pcs	Wrench 1 pc

NOTE: The unit should be assembled by 2 or more people.

ASSEMBLY

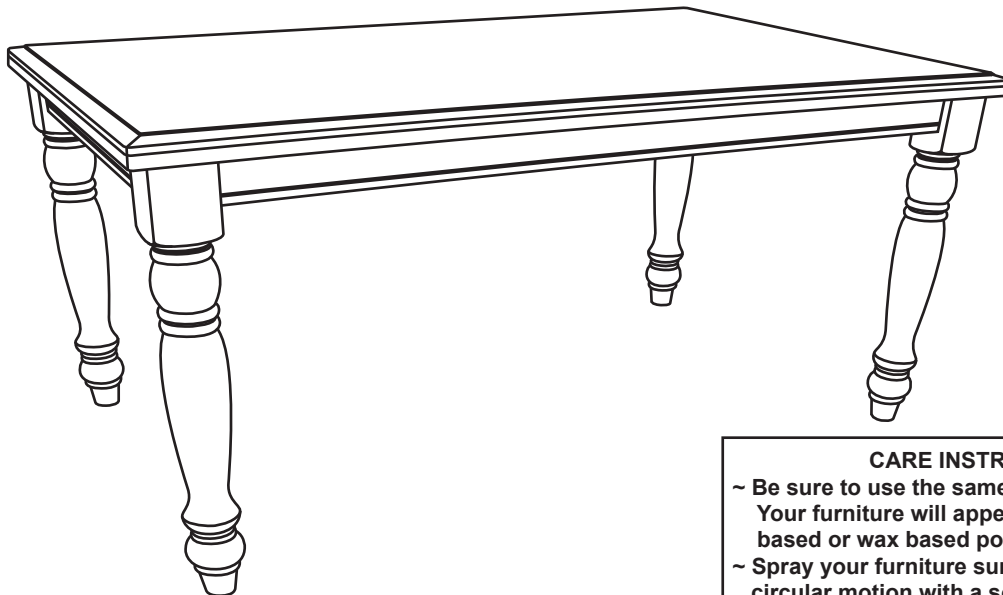
STEP 1

Turn the Table Top upside down on a protective surface such as carpet or other soft material. Place the leg to corner of Apron, then tighten the **Flat Washer**, **Lock Washer** and **Hex Nut** using the **Wrench** provided. Repeat the same for the other legs.



STEP 2

Set table upright on its legs.



CARE INSTRUCTION

- ~ Be sure to use the same type of polish consistently. Your furniture will appear cloudy or streaky if oil based or wax based polishes are interchanged.
- ~ Spray your furniture surface evenly. Wipe in a circular motion with a soft clean cloth.