

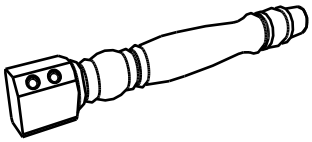


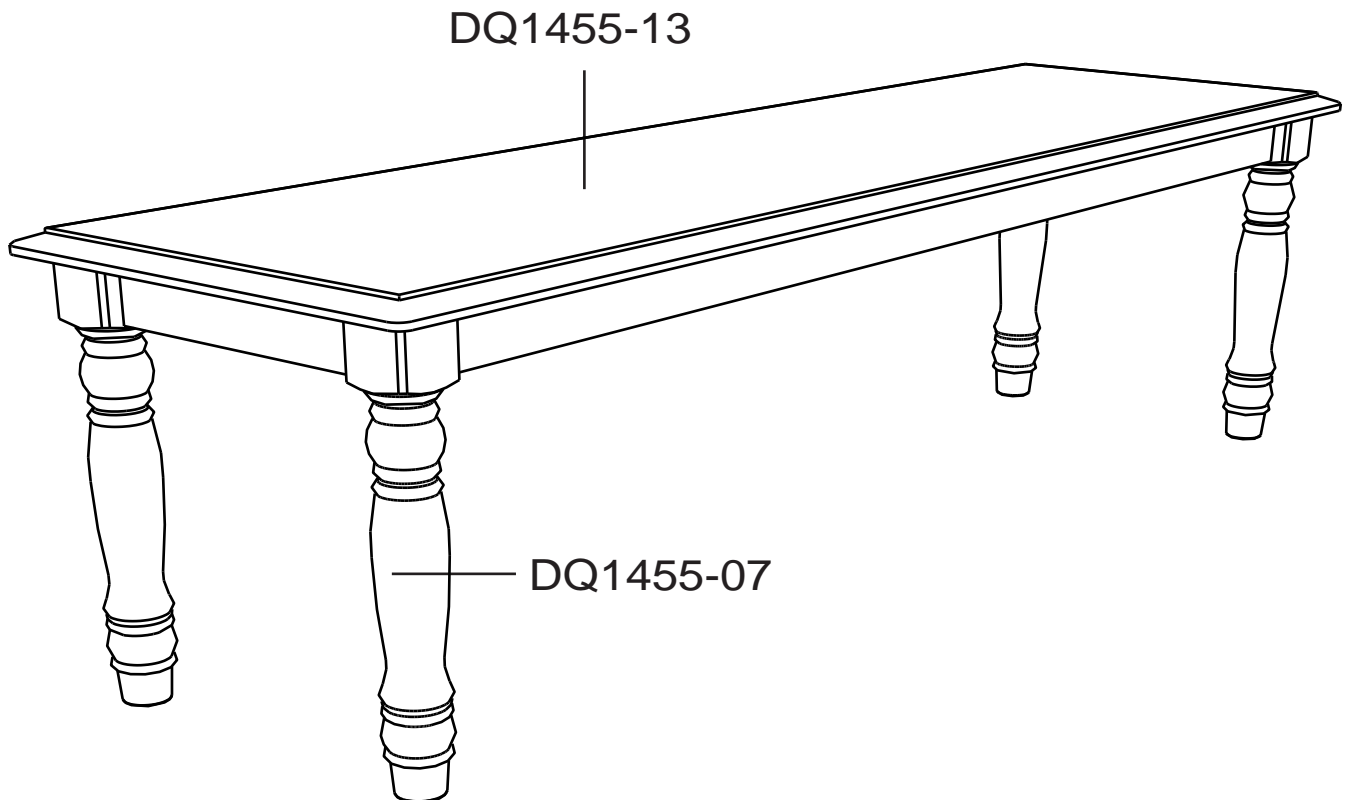
Assembly Instructions

DQ1455

BACKLESS SOLID BENCH

PARTS LIST

PART NO	FIGURE	DESCRIPTION	Q'TY
DQ1455-01		Hardware Bag	1 Pc
DQ1455-13		Bench Top	1 Pc
DQ1455-07		Bench Leg	4 Pcs







Assembly Instructions

DQ1455

BACKLESS SOLID BENCH

HARDWARE PARTS :

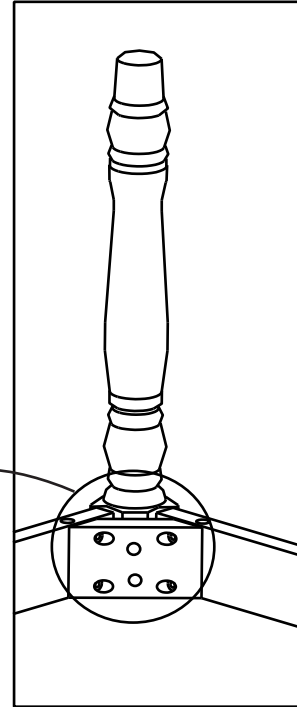
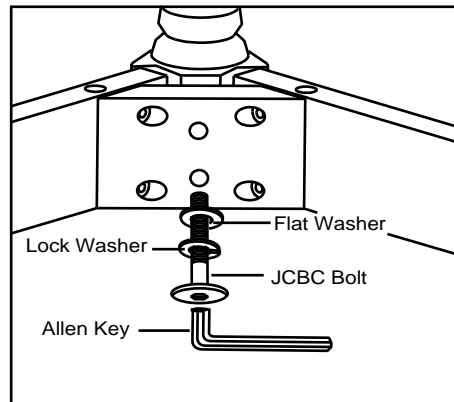
			
JCBC Bolt 8 pcs	Lock Washer 8 pcs	Flat Washer 8 pcs	Allen Key 1 pc

NOTE: The unit should be assembled by 2 or more people.

ASSEMBLY

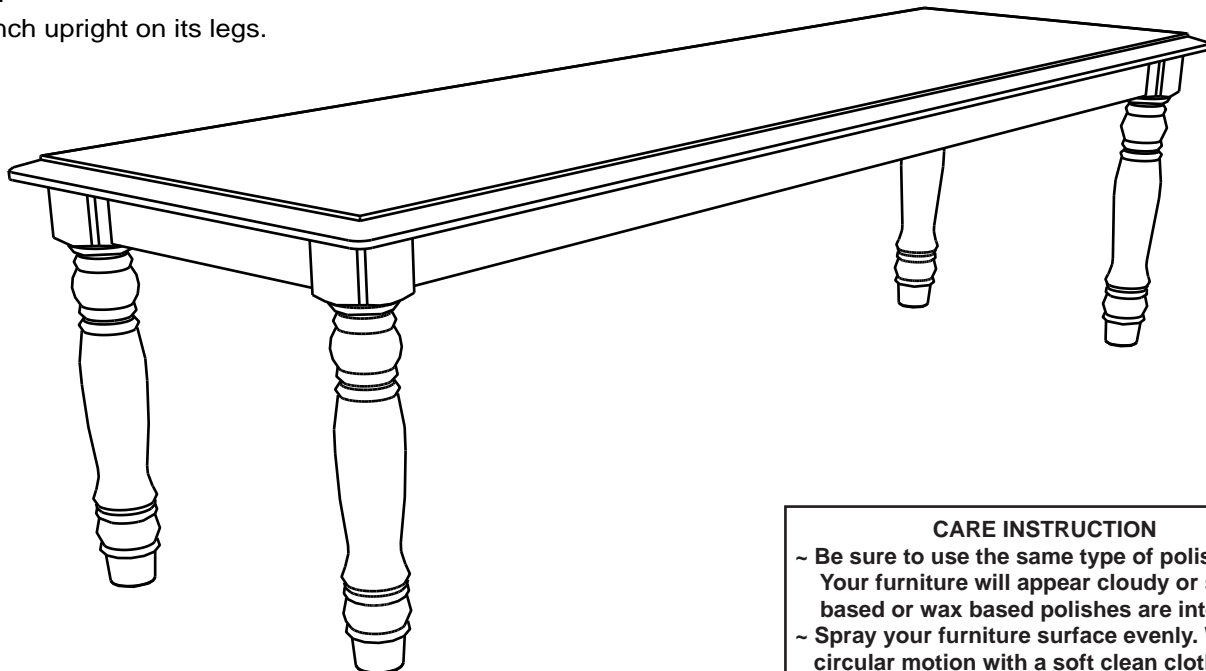
STEP 1

Turn the Bench Top upside down on a protective surface such as carpet or other soft material. Place the Bench Leg to corner of Apron, then tighten the **Flat Washer**, **Lock Washer** and **JCBC Bolt** using the **Allen Key** provided. Repeat the same for the other legs.



STEP 2

Set Bench upright on its legs.



CARE INSTRUCTION

- ~ Be sure to use the same type of polish consistently. Your furniture will appear cloudy or streaky if oil based or wax based polishes are interchanged.
- ~ Spray your furniture surface evenly. Wipe in a circular motion with a soft clean cloth.