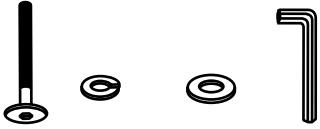
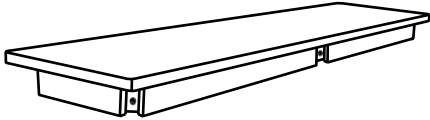
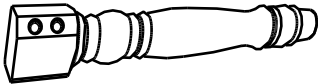
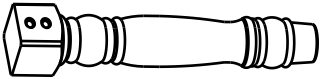


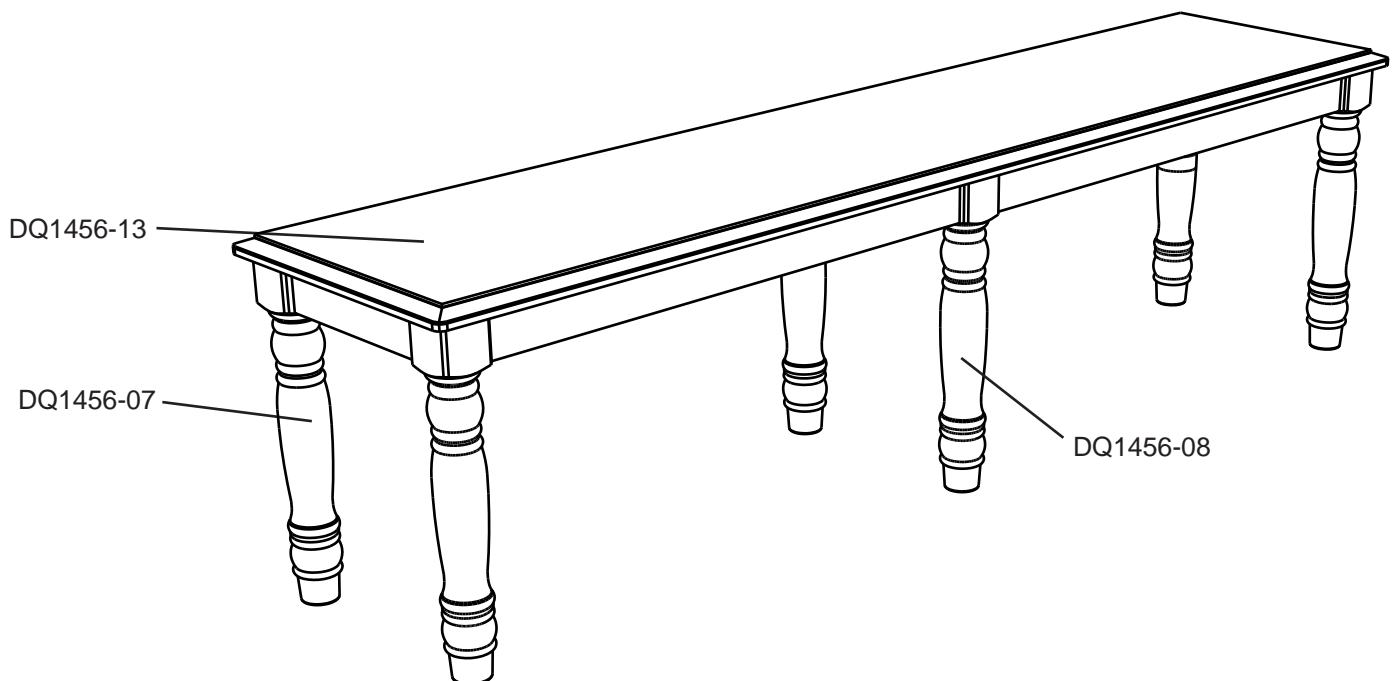
# Assembly Instructions

DQ1456

BACKLESS BENCH WITH 6 - LEGS

## PARTS LIST

| PART NO   | FIGURE  | DESCRIPTION  | Q'TY  |
|-----------|---|--------------|-------|
| DQ1456-01 |    | Hardware Bag | 1 Pce |
| DQ1456-13 |    | Bench Top    | 1 Pce |
| DQ1456-07 |   | Side Leg     | 4 Pcs |
| DQ1456-08 |  | Center Leg   | 2 Pcs |







# Assembly Instructions

DQ1456

BACKLESS BENCH WITH 6 - LEGS

## HARDWARE PARTS :

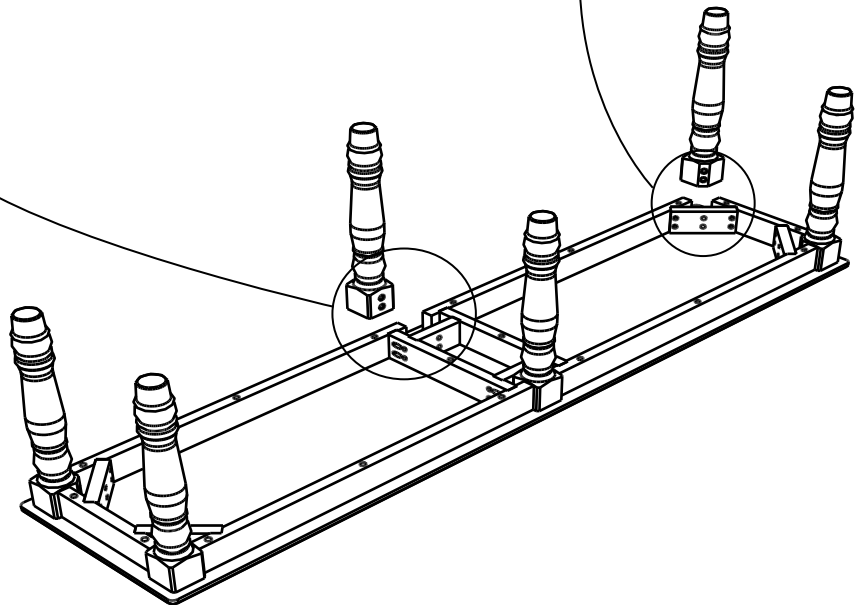
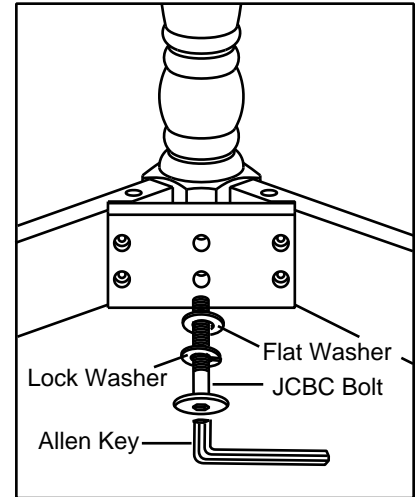
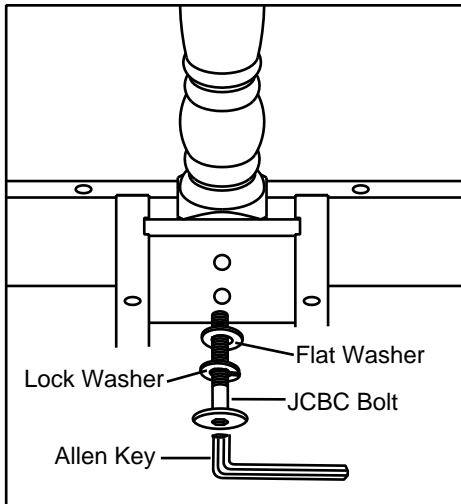
|  |   |   |   |
|--|---|---|---|
|  |  |  |  |
| JCBC Bolt<br>12 pcs  | Lock Washer<br>12 pcs   | Flat Washer<br>12 pcs   | Allen Key<br>1 pc   |

**NOTE:** The unit should be assembled by 2 or more people.

## ASSEMBLY :

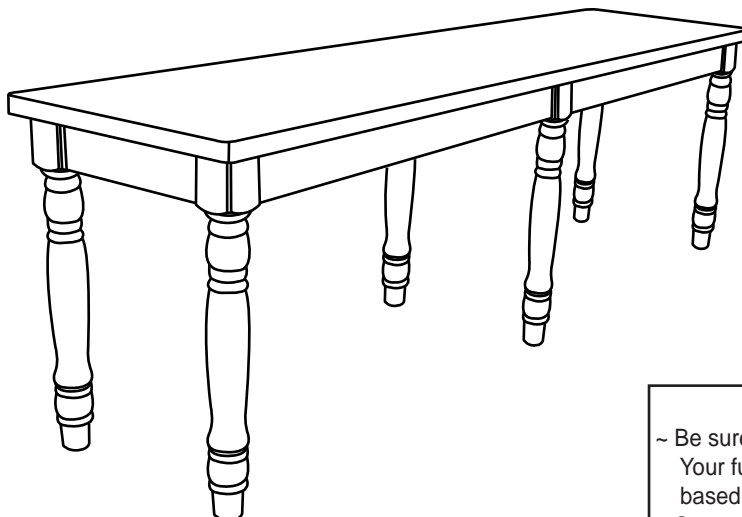
### STEP 1

Turn the Bench Top upside down on a protective surface such as carpet or other soft material. Place the Bench Leg to corner of Apron, then tighten the **Flat Washer**, **Lock Washer** and **JCBC Bolt** using the **Allen Key** provided. Repeat the same for the other legs.



### STEP 2

Set Bench upright on its legs.



### CARE INSTRUCTION

- ~ Be sure to use the same type of polish consistently. Your furniture will appear cloudy or streaky if oil based or wax based polishes are interchanged.
- ~ Spray your furniture surface evenly. Wipe in a circular motion with a soft clean cloth.