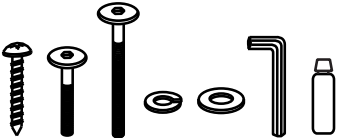
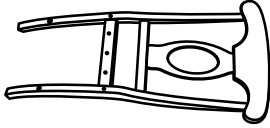


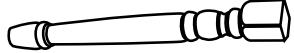
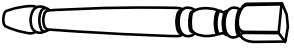
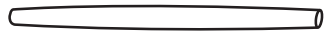
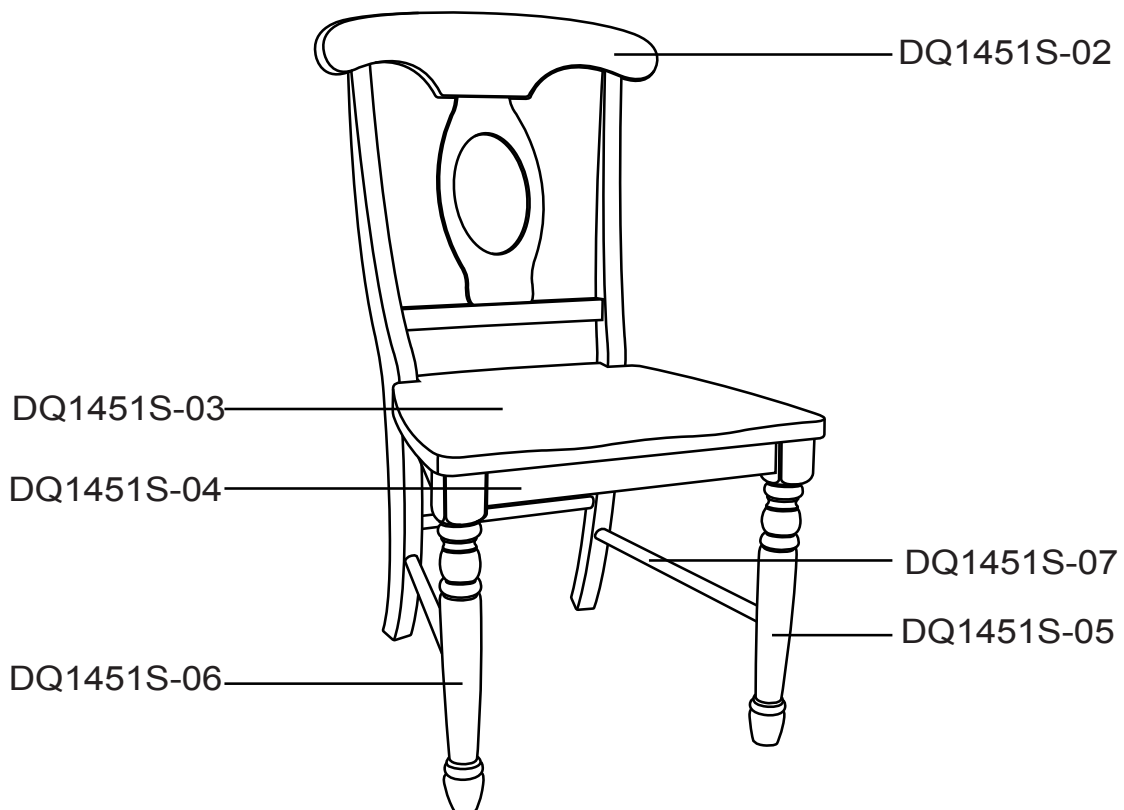


Assembly Instructions

DQ1451S NAPOLEON SIDE CHAIR

PARTS LIST








PART NO	FIGURE	DESCRIPTION	Q'TY
DQ1451S-01		Hardware Bag	1 Pce
DQ1451S-02		Chair Back	1 Pce
DQ1451S-03		Wood Seat	1 Pce
DQ1451S-04		Seat Frame	1 Pce
DQ1451S-05		Front Leg (Right)	1 Pce
DQ1451S-06		Front Leg (Left)	1 Pce
DQ1451S-07		Side Stretcher (L / R)	2 Pcs



Assembly Instructions

DQ1451S NAPOLEON SIDE CHAIR

Hardware List :

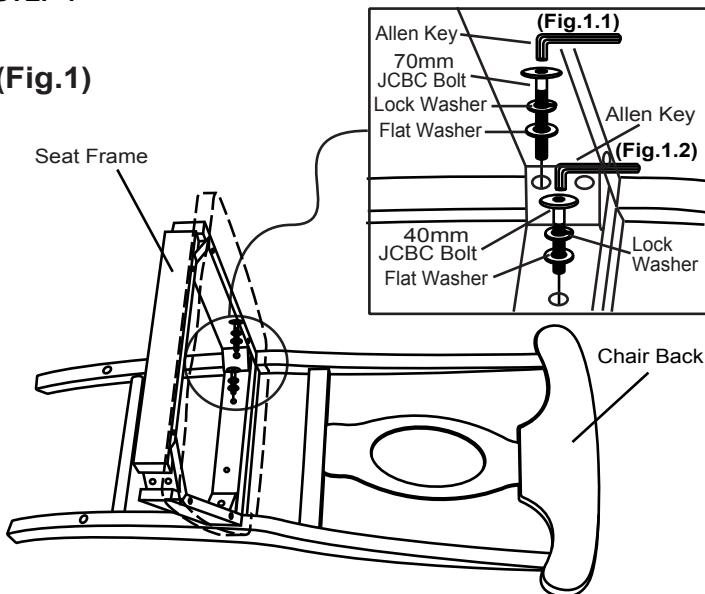
 8x1.1/4" Pan Head Screw 4 pcs	 M6x40mm JCBC Bolt 2 pcs	 M6x70mm JCBC Bolt 6 pcs	 M6x13mm Lock Washer 8 pcs	 M6.5x16.5mm Flat Washer 8 pcs	 Allen Key 1 pce	 Glue 1 pce
---	--	--	--	--	---	---

ASSEMBLY:

- Position the Chair Back on a soft surface such as a carpet. Place the Box System Assembly (Wood seat is pre-attached to the seat frame in assembly) on to the middle rail of the Chair Back with the dowel fully inserted into the pre-drilled hole.
 - Insert **70mm JCBC Bolt** through a **Lock Washer** and a **Flat Washer** into the pre-drilled holes on the rear corner block of the seat frame.
 - Insert the **40mm JCBC Bolt** through a **Lock Washer** and a **Flat Washer** through the rear pre-drilled holes on the seat frame.
- Apply **Glue** to all the pre-drilled holes before attaching all Stretchers. Insert each Side Stretcher into pre-drilled holes on both of the Rear Legs, make sure that screw hole on the Stretcher are facing down. Place the Front Legs to Corner Block of the frame, and insert Side Stretcher into the Legs.
 - Insert the **70mm JCBC Bolt** through a **Lock Washer**, a **Flat Washer** and the pre-drilled holes of Corner Block into the pre-drilled holes on the Front Leg, use the provided **Allen Key**. But do not fully tighten the bolts yet.
 - Insert **Pan Head Screw** into Side Stretcher through the pre-drilled holes, tighten with screw-driver.

STEP 1

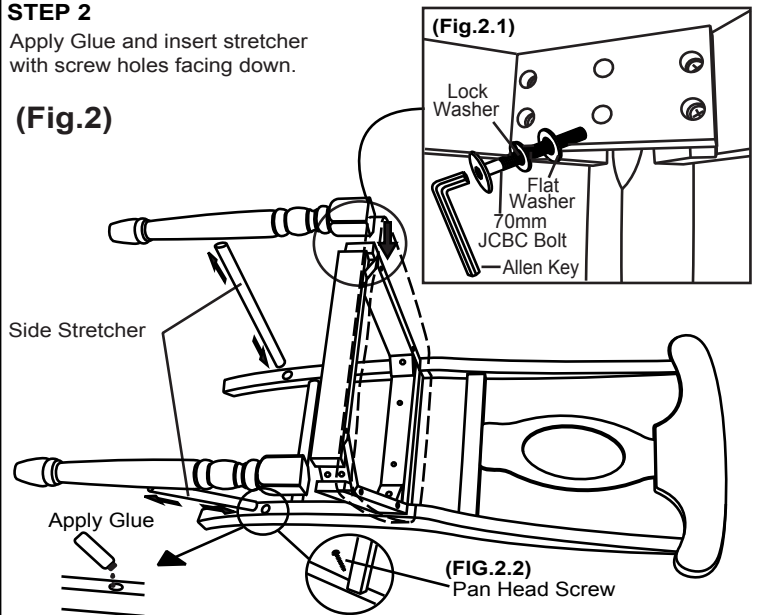
(Fig.1)



STEP 2

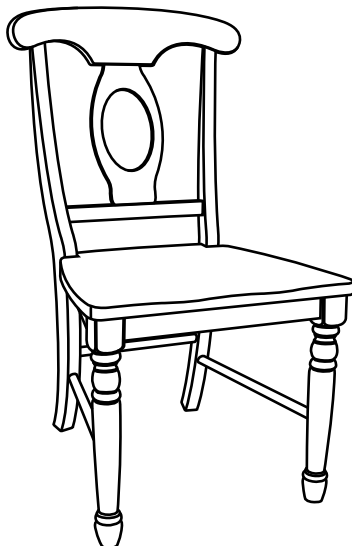
Apply Glue and insert stretcher with screw holes facing down.

(Fig.2)



STEP 3

Turn the chair to standing position. Check its balance and tighten all screw and bolts to complete the assembly.



CARE INSTRUCTION

- ~ Be sure to use the same type of polish consistently. Your furniture will appear cloudy or streaky if oil based or wax based polishes are interchanged.
- ~ Spray your furniture surface evenly. Wipe in a circular motion with a soft clean cloth.