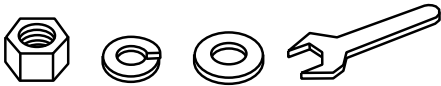
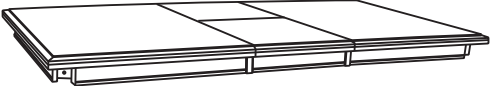



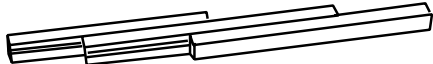





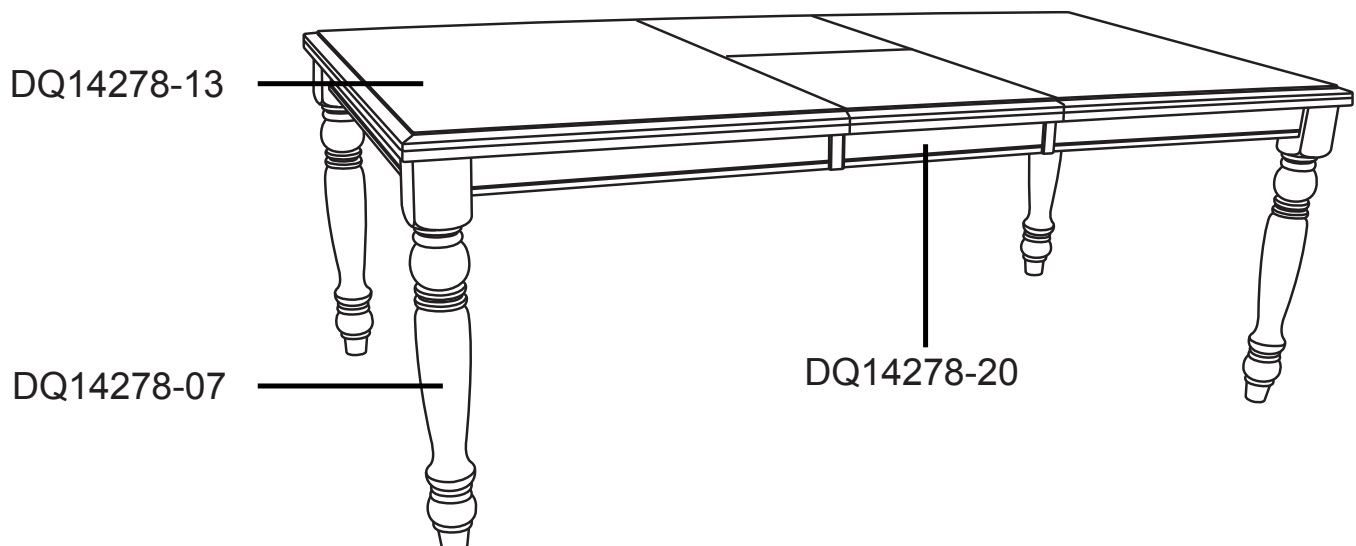
Assembly Instructions

DQ 14278

RECTANGULAR SOLID TOP BUTTERFLY EXTENSION TURNING LEG TABLE

PARTS LIST

PART NO	FIGURE	DESCRIPTION	Q'TY
DQ14278-01		Hardware Bag	1 Pc
DQ14278-13		Table Top	1 Pc
DQ14278-07		Leg	4 Pcs
DQ14278-02		Apron Hinge	4 Pcs
DQ14278-09		Leaf Hinge	3 Pcs
DQ14278-05		Glides	2 Pcs
DQ14278-10		Hook Lock	4 Pcs
DQ14278-12		Support Leaf Hinge	2 Pcs
DQ14278-20		Apron Leaf	2 Pcs




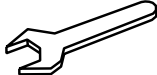


Assembly Instructions

DQ 14278

RECTANGULAR SOLID TOP BUTTERFLY EXTENSION TURNING LEG TABLE

HARDWARE PARTS :

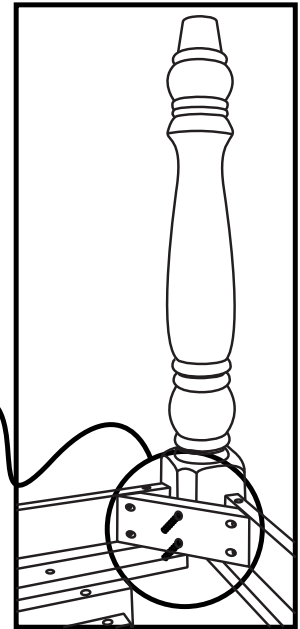
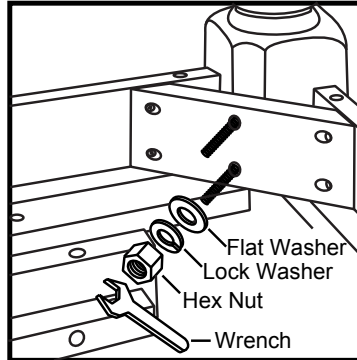
			
Hex Nut 8 pcs	Lock Washer 8 pcs	Flat Washer 8 pcs	Wrench 1 pc

NOTE: The unit should be assembled by 2 or more people.

ASSEMBLY

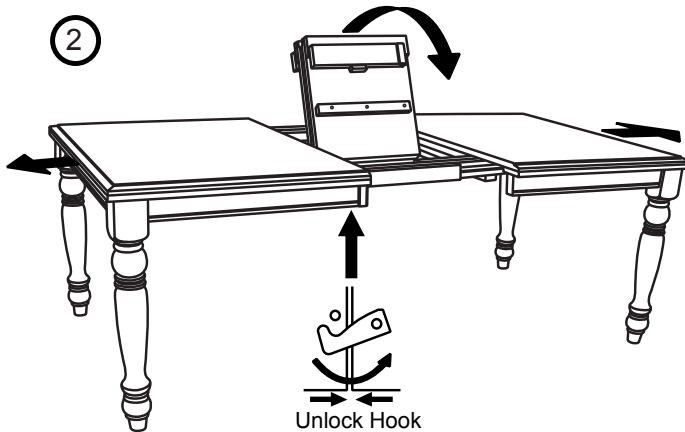
- 1) Turn the Table Top upside down on a protective surface such as carpet or other soft material. Place the leg to corner of Apron, then tighten the Flat Washer, Lock Washer and Hex Nut using the Wrench provided. Repeat the same for the other legs. Set the Table upright on its legs.

①

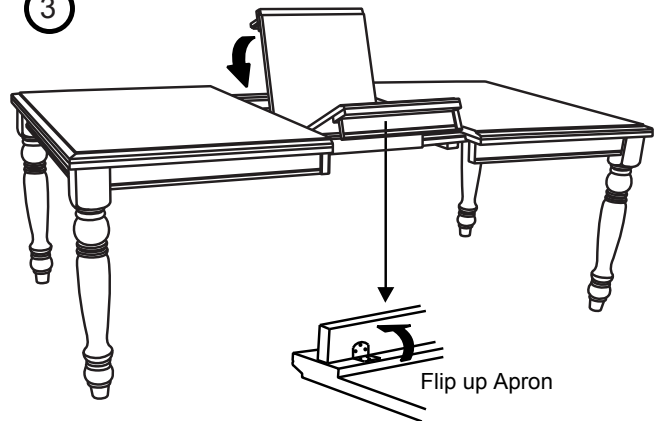


- 2) Unlock the hook underneath the table and pull the table top wide open equally from both ends. Lift both leaves from the compartment.
- 3) Flip up the aprons, unfold leaf and place the leaf on the Table Top surface carefully.
- 4) Push table top from both ends to close. Lock the hook underneath the table.

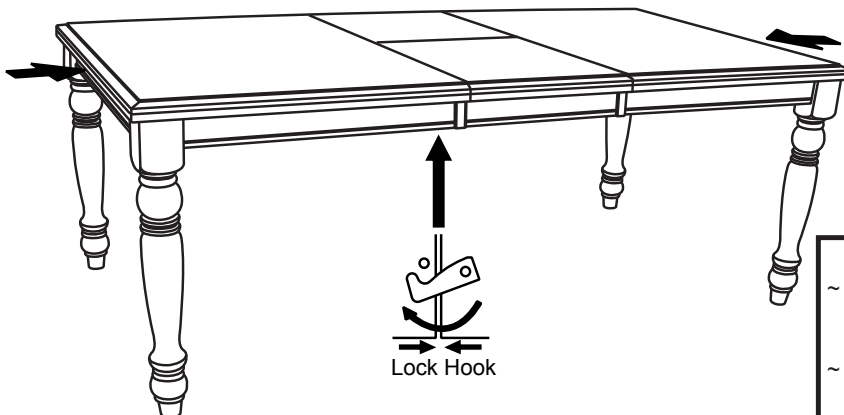
②



③



④



CARE INSTRUCTION

- ~ Be sure to use the same type of polish consistently. Your furniture will appear cloudy or streaky if oil based or wax based polishes are interchanged.
- ~ Spray your furniture surface evenly. Wipe in a circular motion with a soft clean cloth.