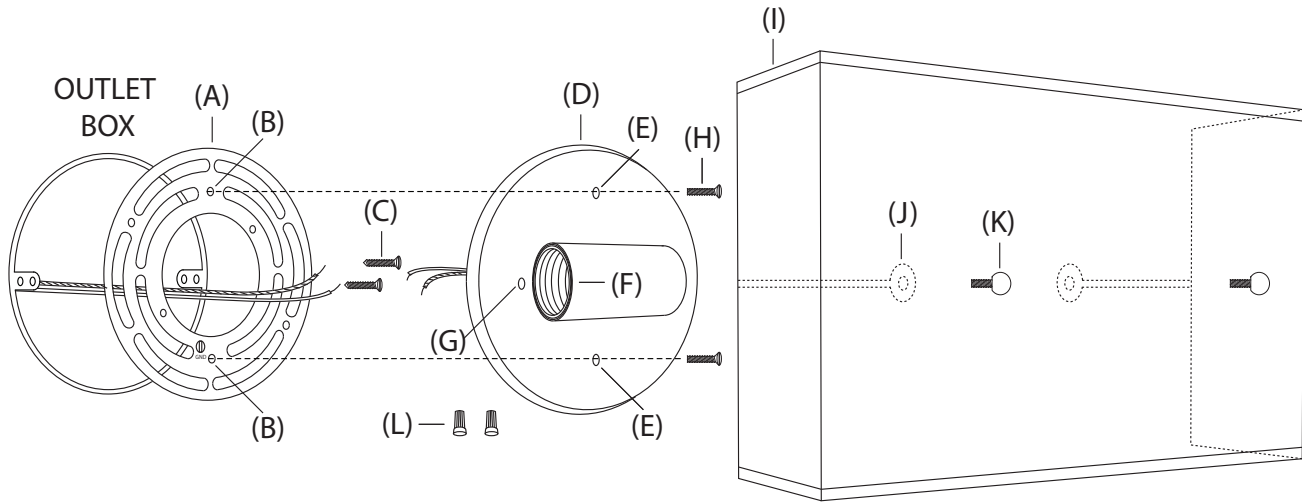


ASSEMBLY INSTRUCTIONS FOR YOUR

Jonathan Adler

REFORM CERAMIC SCONCE



IMPORTANT SAFETY INSTRUCTIONS:

- *These instructions are provided for your safety. It is very important that they are read completely before beginning installation.
- *WE STRONGLY RECOMMEND INSTALLATION BY A LICENSED ELECTRICIAN.**
- *Turn off power at switch before replacing bulbs, making sure fixture has had sufficient time to cool down.
- *DO NOT subject the fixture to any shock while lit as shattering of bulbs may result.

ASSEMBLY INSTRUCTIONS:

1. Shut off electrical supply from main fuse box / circuit breaker.
2. Unpack all parts, do not discard any parts.
3. Remove mounting plate (A) from backplate (D) by removing screws (H). Set screws (H) aside.
4. Remove decorative nuts (K) from backplate (D). Set decorative nuts (K) aside.
5. Guide wiring from wall outlet through center hole in mounting plate (A). Attach mounting plate (A) to outlet box using mounting plate screws (C), provided.
6. Lift backplate (D) to mounting plate (A). Make proper electrical connection. A licensed electrician is recommended.
7. Wrap ground wire from fixture (green in color) and ground wire from outlet box around green ground screw on mounting plate (A). Tighten ground screw to secure position of ground wires.
8. Attach hot wire from fixture (black in color or smooth side of wire) to hot wire from outlet box. Fasten wires together with wire nut (L) and tightly wrap connection with electrical tape.
9. Attach neutral wire from fixture (white in color or ribbed side of wire) to neutral wire from outlet box. Fasten wires together with wire nut (L) and tightly wrap connection with electrical tape.
10. Slide backplate (D) over mounting plate (A). Insert screws (H) through holes (E) in backplate (D) into threaded holes (B) in mounting plate (A).
11. Lift Shade (I) to backplate (D). Align holes in shade arms (J) with holes (G) in backplate (D). Insert decorative nuts through holes in shade arm (J) into holes (G) in backplate (D), securing shade (I) to fixture.
12. Insert two (2) 60 W MAX Type A bulbs into sockets (F).
13. See TEMPLATE INSTRUCTIONS for steps to hang ceramic parts.

Caution: To clean, use a soft cloth only. Do not use any chemical or abrasive cleaners.