

Important: Always disconnect the power before installing or replacing bulbs and before cleaning or other maintenance.

This light should be installed by a licensed electrician

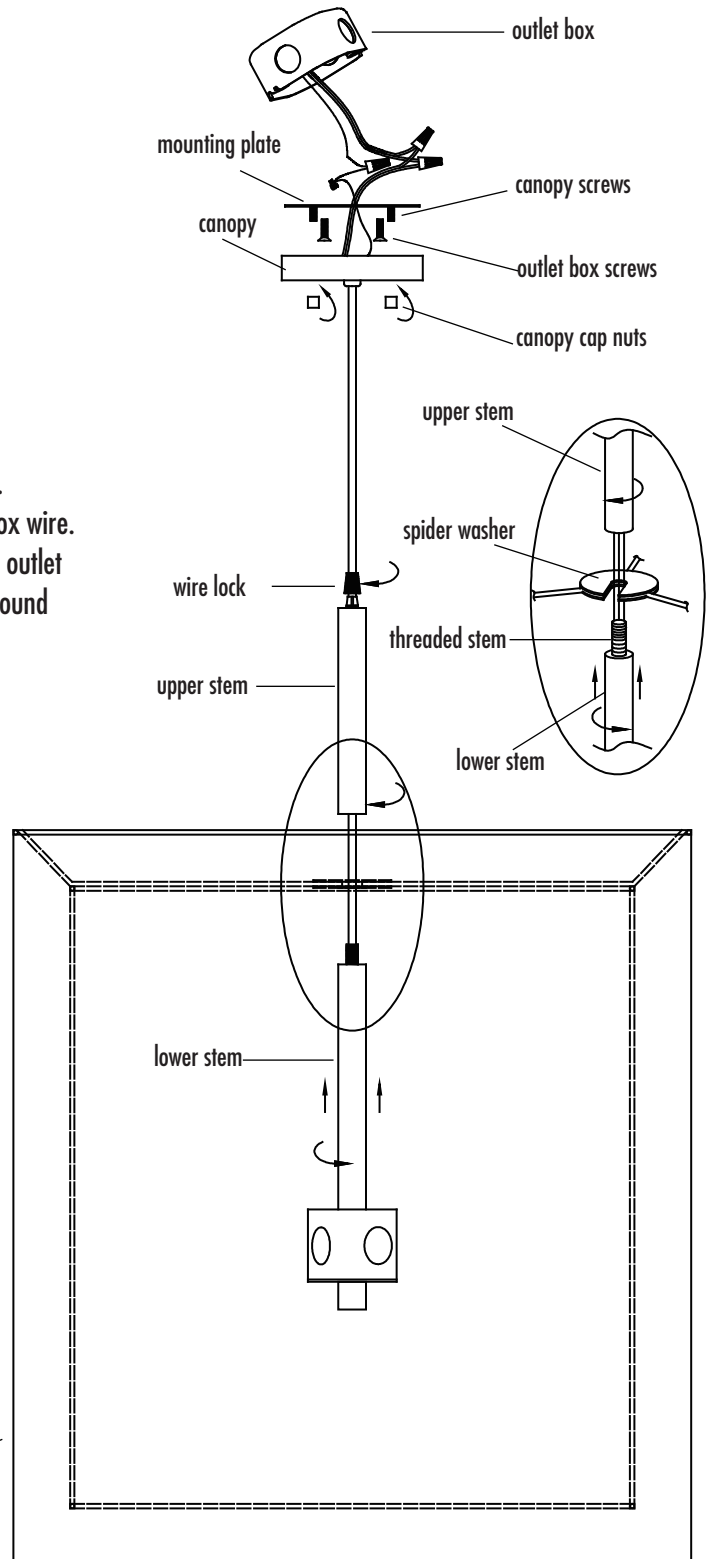
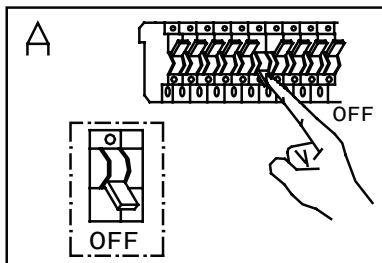
LAMP INSTALLATION AND ASSEMBLY

1. Shut off power to the outlet box. (fig. A)
2. Insert A19 bulbs in sockets (not included).
3. Loosen wire lock of upper stem, attach shade to fixture by placing shade spider washer over fixture threaded stem and securing with upper stem, tight the wire lock of upper stem.
4. Determine the height at which the fixture is to be hung. Pull the adjustable cord to the desired length. Be sure to engage cord lock in canopy to prevent slippage.
5. Attach mounting plate to outlet box using outlet box screws.
6. Make appropriate electrical connections using wire nuts:
 - a. Connect the fixture's live wire (black) to the live outlet box wire.
 - b. Connect the fixture's neutral wire (white) to the neutral outlet box wire.
 - c. Connect fixture's ground wire (green or uncoated) to the ground outlet box wire. If no ground is present in outlet box, connect fixture's ground wire to the mounting plate using the green screw (included).
 - d. Carefully place connections in outlet box.
7. Attach canopy over outlet box with canopy cap nuts.
8. Restore power to fixture.

CARE INSTRUCTIONS

Dusting – Use a clean, dry cloth.

Cleaning – To protect the finish, avoid any harsh abrasives or chemicals.



shade