

Important: Always disconnect the power before installing or replacing bulb and before cleaning or other maintenance.

This light should be installed by a licensed electrician

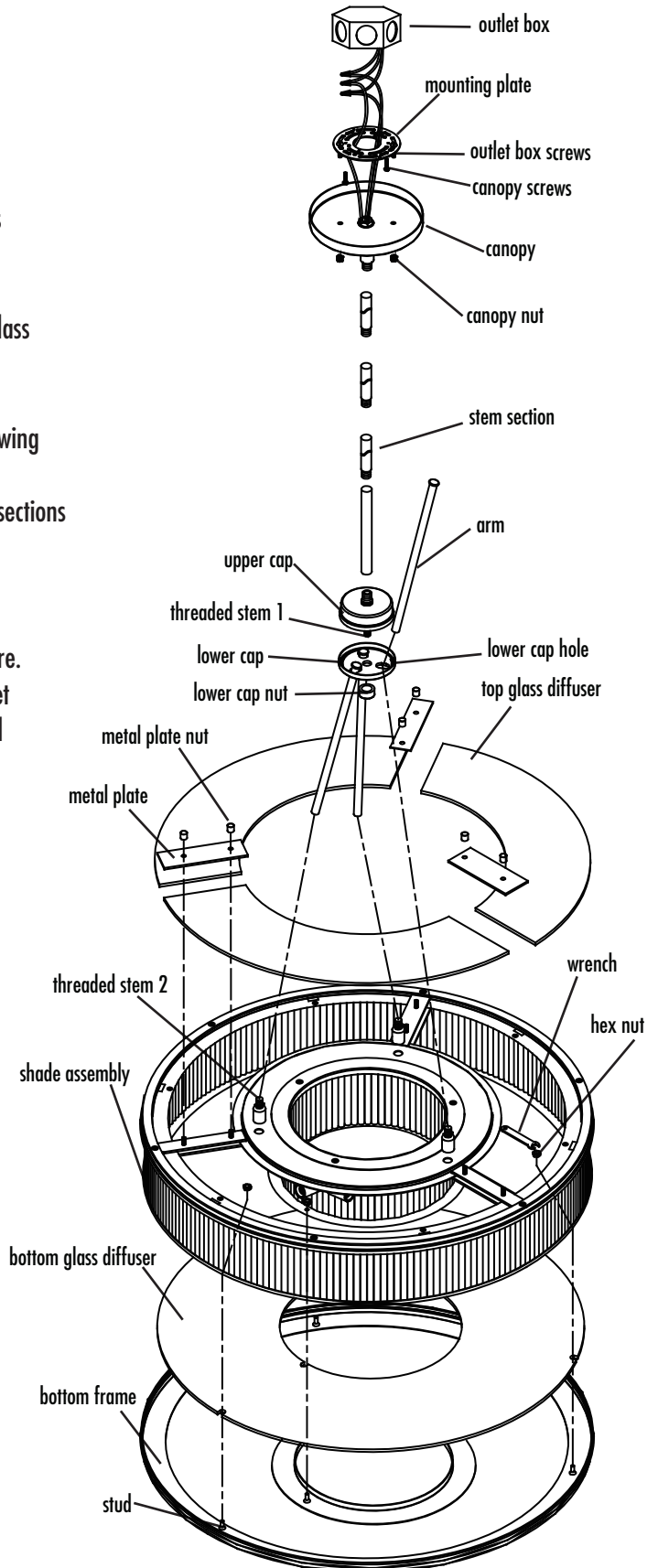
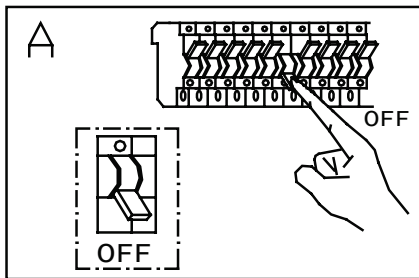
LAMP INSTALLATION AND ASSEMBLY

1. Shut off power to the outlet box. (fig. A)
2. Attach the mounting plate to outlet box using outlet box screws.
3. Install bottom glass diffuser by sandwiching between bottom frames and shade assembly. Secure with hex nuts using wrench. (included)
4. Install E-12 bulbs. (not included)
5. Remove metal plate nuts (6pcs) and metal plates (3pcs). Place top glass diffusers on the shade assembly and replace metal plates and nuts.
6. To attach arms, slide through holes in lower cap. Thread stems onto threaded stems 2. Place upper cap on lower cap and close body by screwing lower cap nut onto threaded stem 1.
7. Determine the height at which the fixture is to be hung. Screw stem sections together to achieve desired length.
8. Make appropriate electrical connections using wire nuts:
 - a. Connect the fixture's live wire (black) to the live outlet box wire.
 - b. Connect the fixture's neutral wire (white) to the neutral outlet box wire.
 - c. Connect fixture's ground wire (green or uncoated) to the ground outlet box wire. If no ground is present in outlet box, connect fixture's ground wire to the mounting plate using the green screw (included).
 - d. Carefully place connections in outlet box.
9. Attach canopy to mounting plate with canopy nuts.
10. Restore power to the fixture.

CARE INSTRUCTIONS

Dusting – Use a clean, dry cloth.

Cleaning – To protect the finish, avoid any harsh abrasives or chemicals.



Important: Always disconnect the power before installing or replacing bulb and before cleaning or other maintenance.

This light should be installed by a licensed electrician

GLASS ROD REPLACEMENT INSTRUCTIONS

There are 6pcs extra glass rods in carton for replacement, packed in a red bag with white sticker in red remarks.

To replace outer frame's glass rods

1. Release outer frame screws and take off metal clip.
2. Insert glass rod through replacement hole on outer frame.
3. Attach metal clip back to outer frame and tighten with outer frame screws.

To replace inner frame's glass rods.

1. Release inner frame screws and take off inner frame.
2. Take off felt pad and insert glass rod through the replacement hole.
3. Replace felt pad and attach inner frame with inner frame screws.

