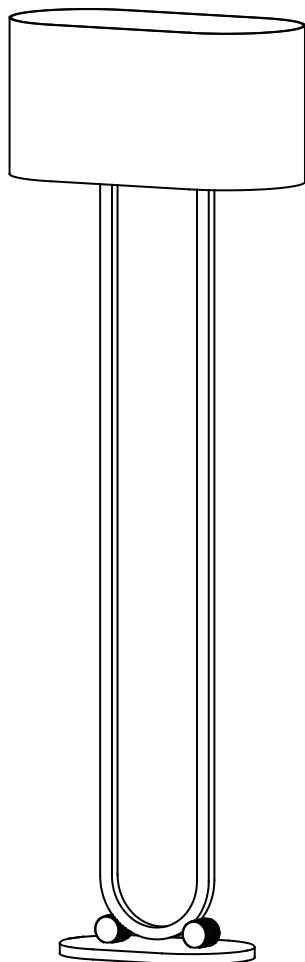


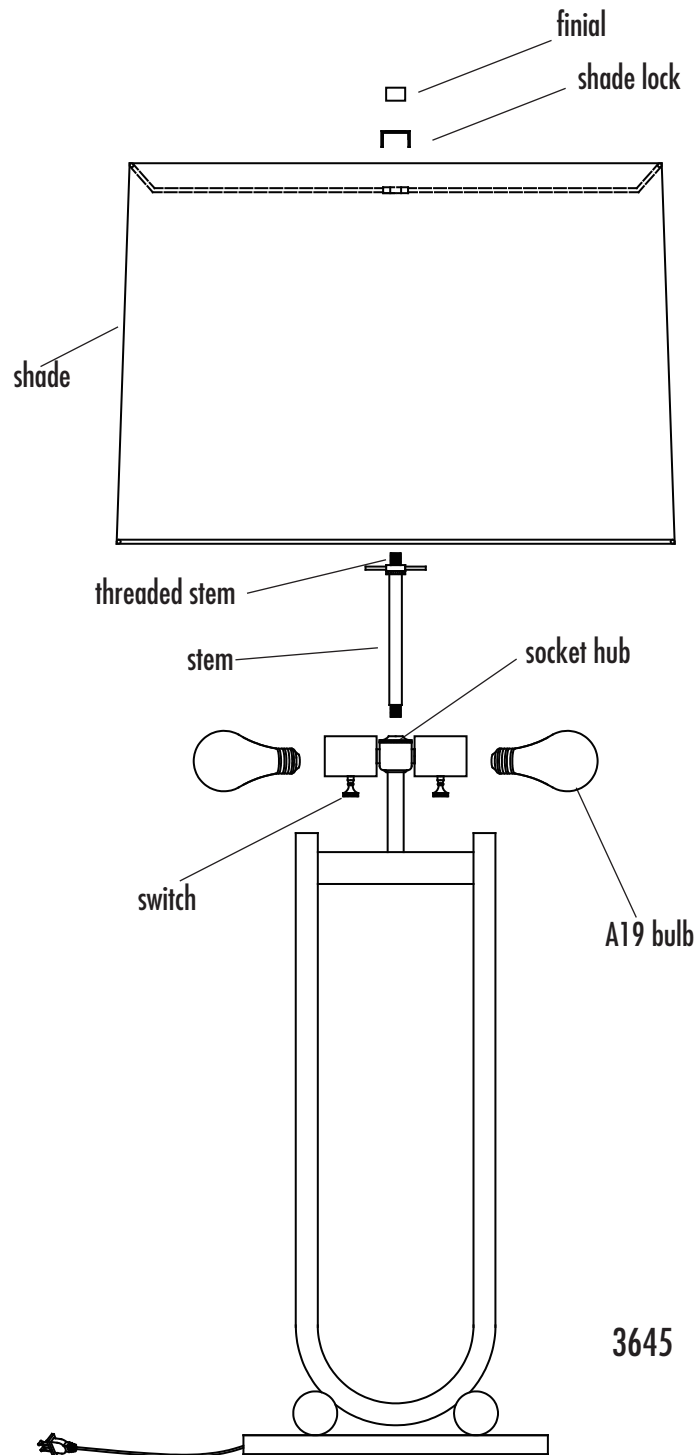
Important: Always unplug the power cord before installing or replacing bulb and before cleaning or other maintenance.

LAMP INSTALLATION AND ASSEMBLY

1. Install A19 bulb. (not included)
2. Attach stem to socket hub.
3. Place shade on threaded stem.
4. Secure with shade lock and then finial.
5. Plug in cord and switch is located on socket.



3646



3645