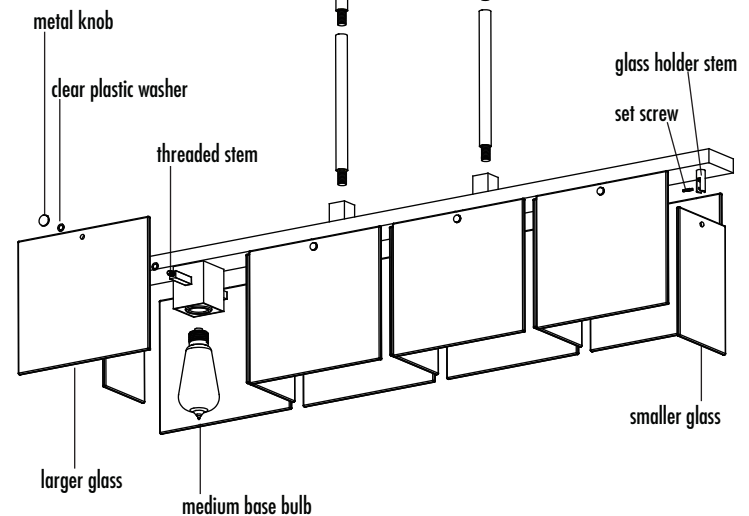
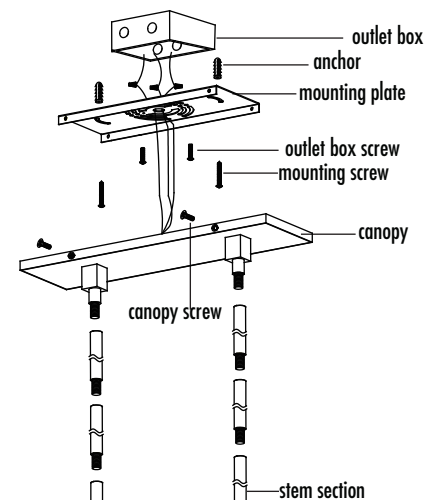
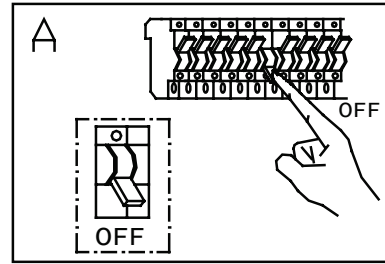


Important: Always disconnect the power before installing or replacing bulb and before cleaning or other maintenance.

This light should be installed by a licensed electrician

LAMP INSTALLATION AND ASSEMBLY

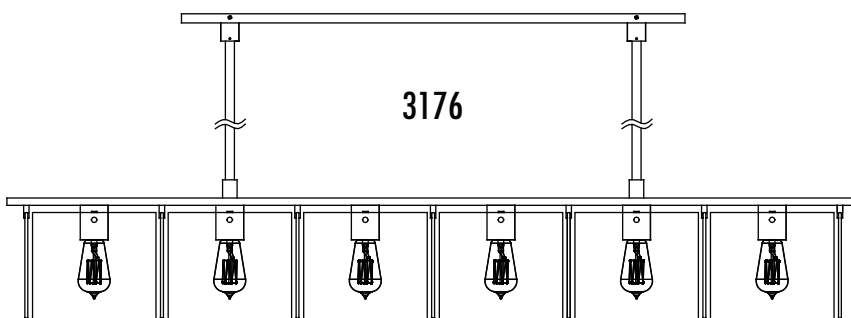
1. Shut off power to the outlet box. (fig. A)
2. Attach the mounting plate to the outlet box using outlet box screws, use anchors and mounting screws for extra support.
3. Determine the height at which the fixture is to be hung. Screw together stem sections to achieve desired length.
4. Make appropriate electrical connections using wire nuts:
 - a. Connect the fixture's live wire (black) to the live outlet box wire.
 - b. Connect the fixture's neutral wire (white) to the neutral outlet box wire.
 - c. Connect fixture's ground wire (green or uncoated) to the ground outlet box wire. If no ground is present in outlet box, connect fixture's ground wire to the mounting plate using the green screw (included).
 - d. Carefully place connections in outlet box.
5. Attach canopy to mounting plate and secure with canopy screws.
6. Install medium base bulbs. (included Vintage Carbon Filament Bulb is optional)
7. Attach smaller glass to glass holder stem and use the set screw to hang the glass.
8. Attach larger glass and clear plastic washers to the threaded stems and tighten with metal caps. During installing the glass, make sure to have the dichroic coated side facing into the fixture. This side is indicated by the blue dot on the packing. This will help to protect the finish on the glass.
9. Restore power to the fixture.



IMPORTANT CARE & MAINTENANCE OF DICHROIC GLASS PANELS

The multi layered Dichroic coating on each glass panel is fragile and requires special handling and care. It is essential to avoid direct contact with any substance or surface that would scratch, mark or leave a residue. Avoid handling without a soft cloth or cotton glove and use only the following recommended methods of care and cleaning:

Dust or clean only with a soft microfiber lens polishing cloth or the Kimberly Clark Wipe enclosed (KIMTECH PURE*W5 Wipers) and denatured alcohol.



3174