

**Important: Always disconnect the power before installing or replacing bulbs and before cleaning or other maintenance.**

This light should be installed by a licensed electrician

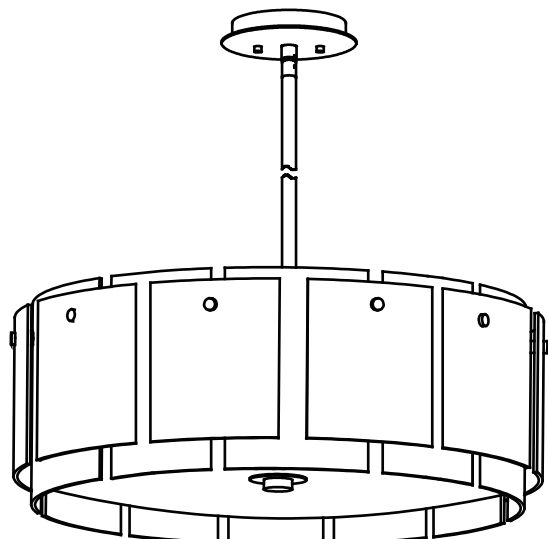
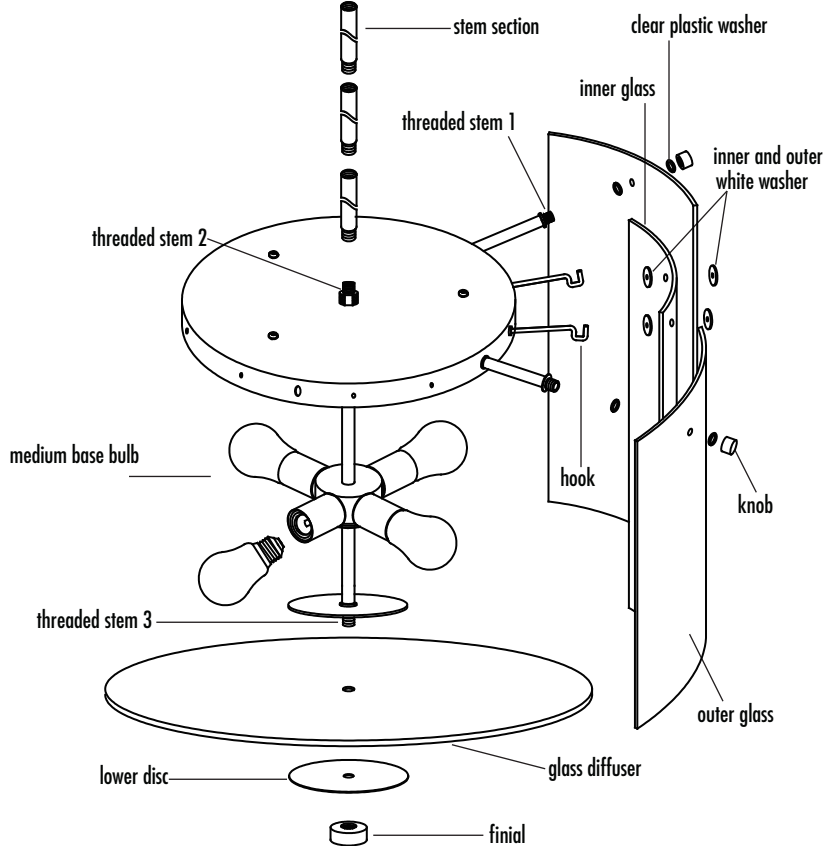
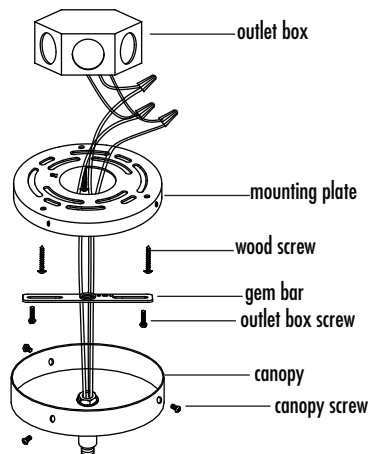
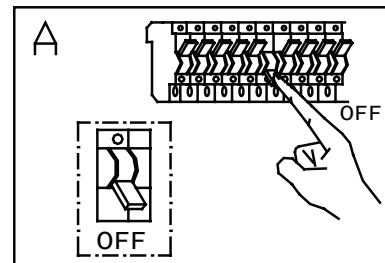
#### LAMP INSTALLATION AND ASSEMBLY

1. Shut off power to the outlet box. (fig. A)
2. Attach the mounting plate and gem bar to the outlet box, secure with outlet box screws. For extra support secure the mounting plate into ceiling trusses with included wood screws.
3. Determine the height at which the fixture is to be hung. Screw stem sections together to achieve desired length. Connect stems to threaded stem 2.
4. Make appropriate electrical connections using wire nuts:
  - a. Connect the fixture's live wire (black) to the live outlet box wire.
  - b. Connect the fixture's neutral wire (white) to the neutral outlet box wire.
  - c. Connect fixture's ground wire (green or uncoated) to the ground outlet box wire. If no ground is present in outlet box, connect fixture's ground wire to the mounting plate using the green screw (included).
  - d. Carefully place connections in outlet box.
5. Attach canopy to mounting plate, secure with canopy screws.
6. Install medium base bulbs. (not included)
7. Hang the inner glass by putting the inner white washers on the hooks, then the inner glass, and outer white washers.
8. Attached outer glass to threaded stems 1 and tighten with clear plastic washers and knobs.
9. Attached glass diffuser, lower disc to threaded stem 3, tighten with finial.
10. Restore power to the fixture.

#### CARE INSTRUCTIONS

Dusting – Use a clean, dry cloth.

Cleaning – To protect the finish, avoid any harsh abrasives or chemicals.



3186

3185