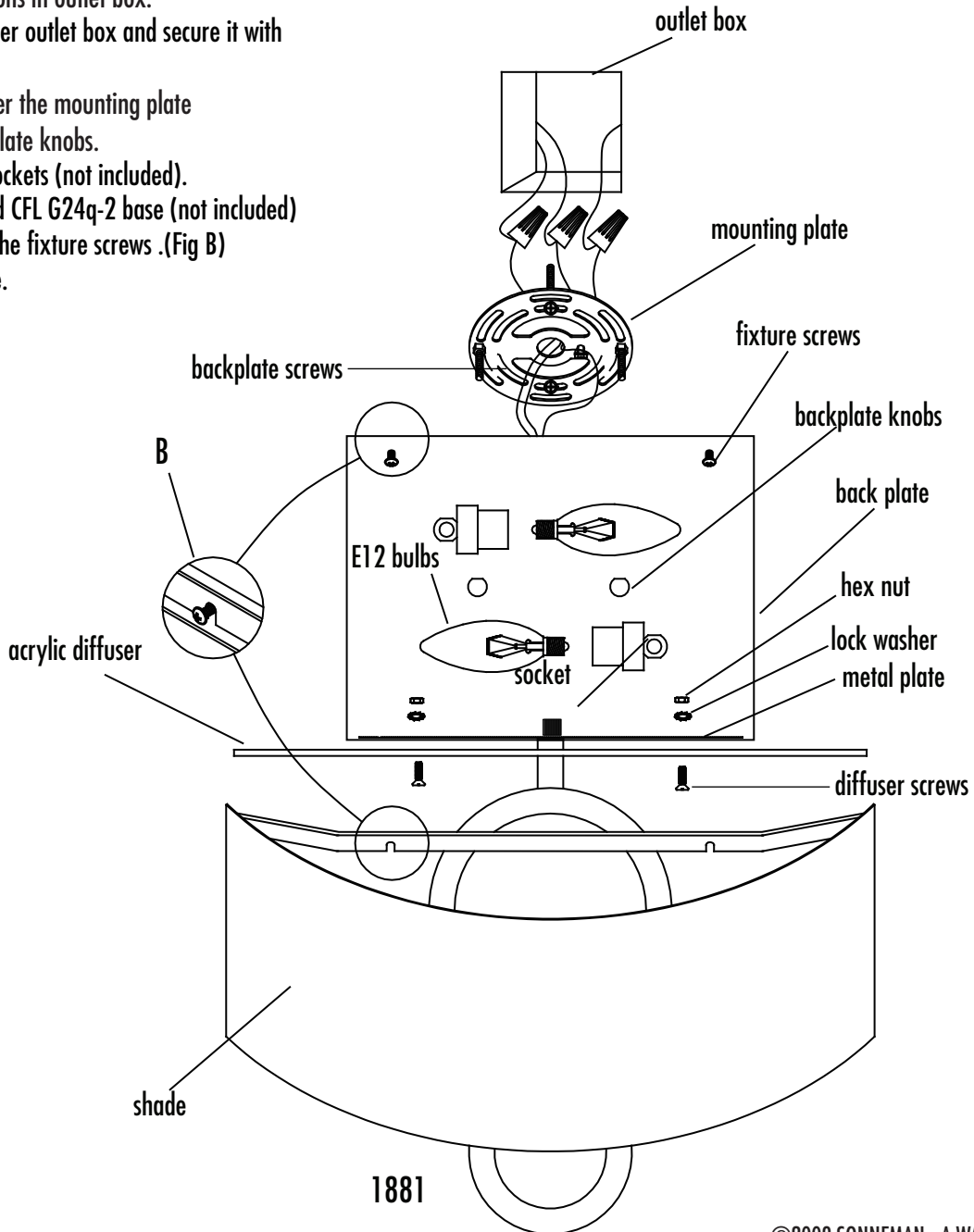
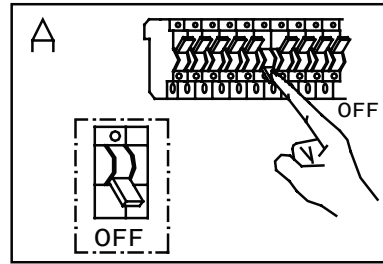


Important: Always disconnect the power before installing or replacing bulb and before cleaning or other maintenance.

This light should be installed by a licensed electrician

Assembly & Installation Instructions

1. Shut off power to outlet box (Fig A).
2. Attach acrylic diffuser to backplate bottom edge, line up with screws, metal plate, lock washers, hex nuts. And tighten with screws.
3. Make appropriate electrical connections using wire nuts:
 - a. Connect the fixture's hot wire (black) to the black outlet box wire.
 - b. Connect the fixture's neutral wire (white) to the white outlet box wire.
 - c. Connect fixture's ground wire (green or uncoated) to the ground outlet box wire. If no ground is present in outlet box, connect fixture's ground wire to the mounting plate using the green screw (included).
 - d. Carefully place connections in outlet box.
4. Place mounting plate over outlet box and secure it with outlet box screws.
5. Attach the backplate over the mounting plate and tighten with the backplate knobs.
6. 1881 - Insert bulbs in sockets (not included).
1881F - Insert 18W quad CFL G24q-2 base (not included)
7. Attach the shade using the fixture screws. (Fig B)
8. Restore power to fixture.



1881