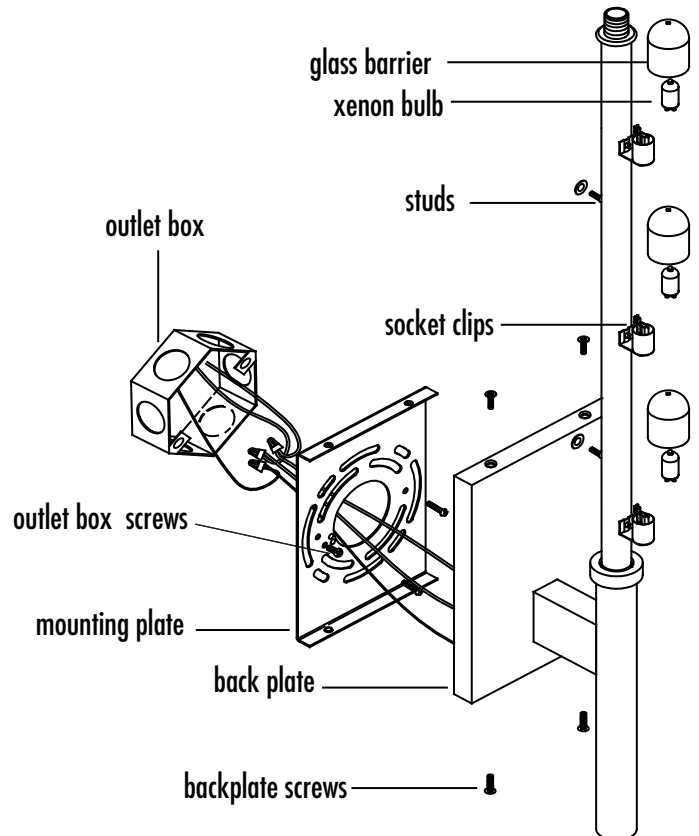
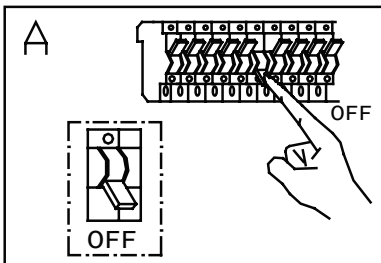
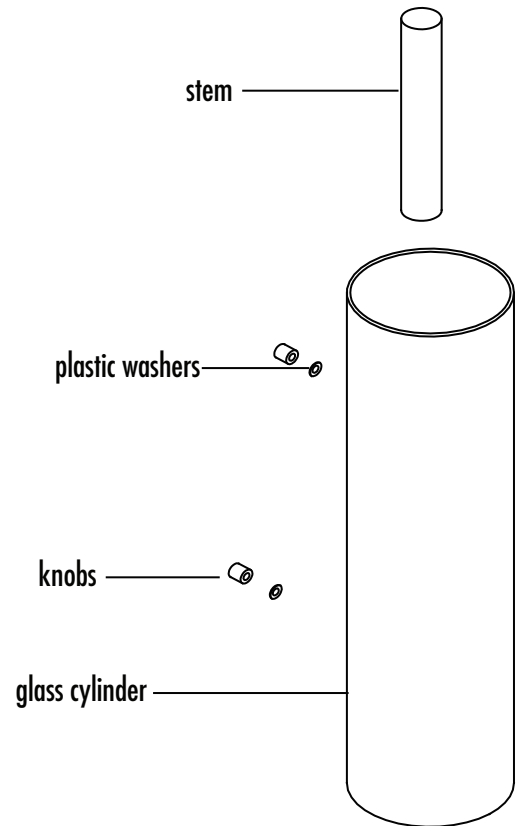


**Important: Always disconnect the power before installing or replacing bulbs and before cleaning or other maintenance.**

This light should be installed by a licensed electrician

## Assembly & Installation Instructions

1. Shut off power to outlet box (Fig A).
2. Place mounting plate over outlet box and secure it with outlet box screws.
3. Attach the xenon bulbs in socket (included), place the glass barriers in the socket clips.
4. Attach glass cylinder by fitting it onto the fixture studs and tightening with the plastic washers and knobs.
5. Make appropriate electrical connections using wire nuts:
  - a. Connect the fixture's live wire (black) to the live outlet box wire.
  - b. Connect the fixture's neutral wire (white) to the neutral outlet box wire.
  - c. Connect fixture's ground wire (green or uncoated) to the ground outlet box wire. If no ground is present in outlet box, connect fixture's ground wire to the mounting plate using the green screw (included).
  - d. Carefully place connections in outlet box.
6. Attach the backplate over the mounting plate and tighten with the backplate screws.
7. Restore power to fixture.



## Important Safety Instructions

### Lighted lamp is HOT!

1. Disconnect and allow to cool for at least 5 minutes before replacing bulb.
2. Bulb gets HOT quickly! Be sure power is off when re-lamping.
3. Do not touch hot enclosure.
4. Do not direct light at persons.
5. Do not look directly at lighted bulb.
6. Keep lamp away from curtains, draperies, and similar materials.
7. Use only 120V, maximum 40W, G9 base, xenon bulb
8. Do not touch bulb at any time. Use a soft cloth to clean oil from skin may damage bulb integrity.
9. Do not operate the lamp with damaged or missing shield.