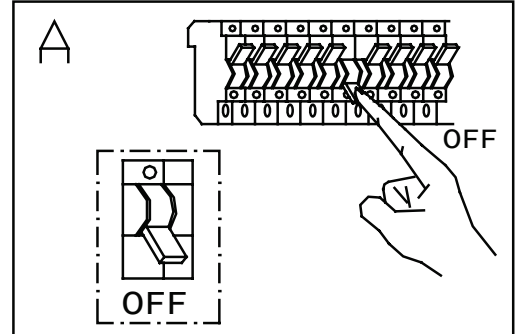


Important: Always unplug the power cord before installing or replacing bulb and before cleaning or other maintenance.

This light should be installed by a licensed electrician

Assembly & Installation Instructions

1. Shut off power to outlet box.
2. Insert 40W xenon bulbs in socket **NOTE: DO NOT TOUCH THE GLASS PART OF THE BULB WITH BARE HANDS.** Oil from fingerprints will reduce life of the bulb.
3. Place barrier glass over bulbs.
4. Angle the glass shade onto the fixture, fitting over the bulbs and metal cup at one end. Bring the other end of the glass in toward the back plate and then slide over the other metal cup to center the glass. Secure with thumb screws.
5. Attach mounting plate to outlet box using outlet box screws. Using mounting screws and anchors for extra support.
6. Make appropriate electrical connections using wire nuts:
 - a. Connect the fixture's live wire (black) to the live outlet box wire.
 - b. Connect the fixture's neutral wire (white) to the neutral outlet box wire.
 - c. Connect fixture's ground wire (green or uncoated) to the ground outlet box wire. If no ground is present in outlet box, connect fixture's ground wire to the mounting plate using the green screw (included).
 - d. Carefully place connections in outlet box.
7. Attach fixture to mounting plate and tighten with back plate screws.



CARE INSTRUCTIONS

- Dusting – Use a clean, dry cloth.
 Cleaning – To protect the finish, avoid any harsh abrasives or chemicals.

Relamping Instructions:

1. Release thumb screws, slight one end of glass off metal cup, and pull glass out from another end of glass shade with angle.
2. Take off barrier glasses and change bulbs.

