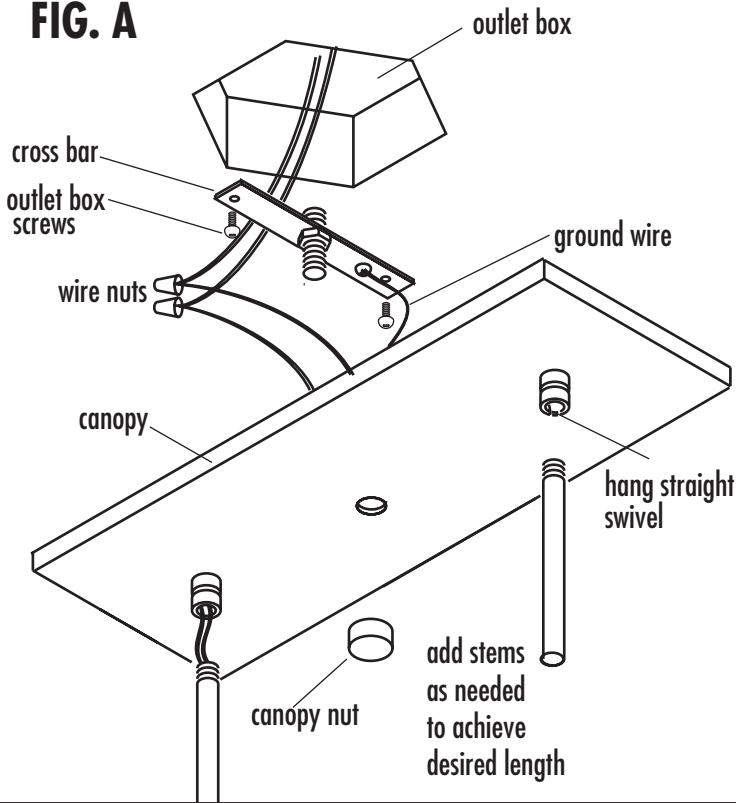


**This light should be installed
by a licensed electrician.**

FIG. A



LAMP INSTALLATION AND ASSEMBLY

1. Shut off power to the outlet box.
2. Attach the cross bar to the outlet box using outlet box screws. (Fig. A)
3. Determine the height which the fixture is to be hung. Screw together stems as needed to achieve desired length. Screw the two stems into the fixture. Attach canopy by screwing on the hang straights. (Fig.B)
4. Make appropriate electrical connections using wire nuts. If there is no green ground wire from the outlet box, then connect the fixture wire to the mounting plate with the green screw provided. Place connections in outlet box.
5. Attach canopy over outlet box with canopy nut.
6. Place shade on shade support and secure with shade ring.
7. Restore power to fixture.

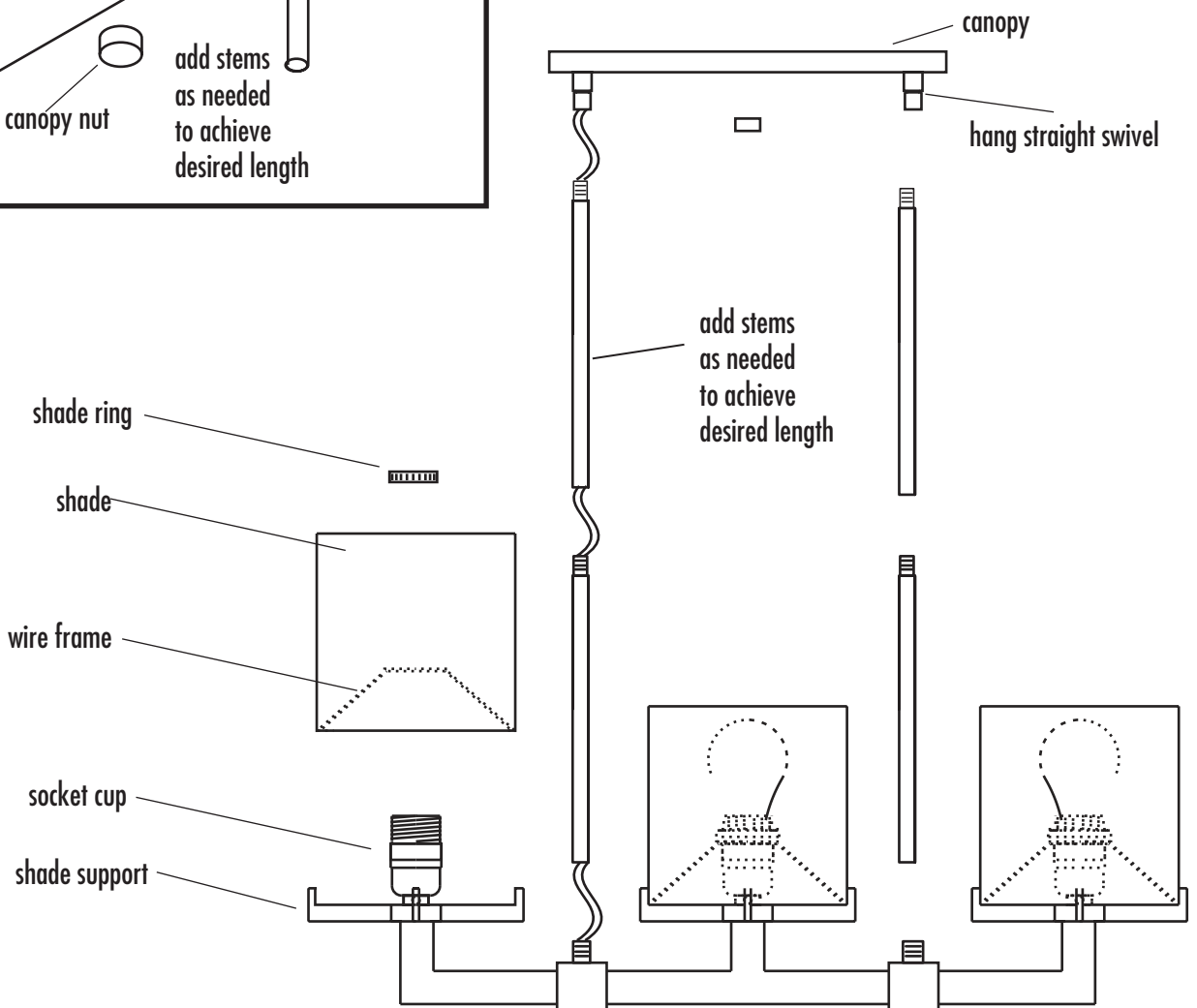


FIG. B