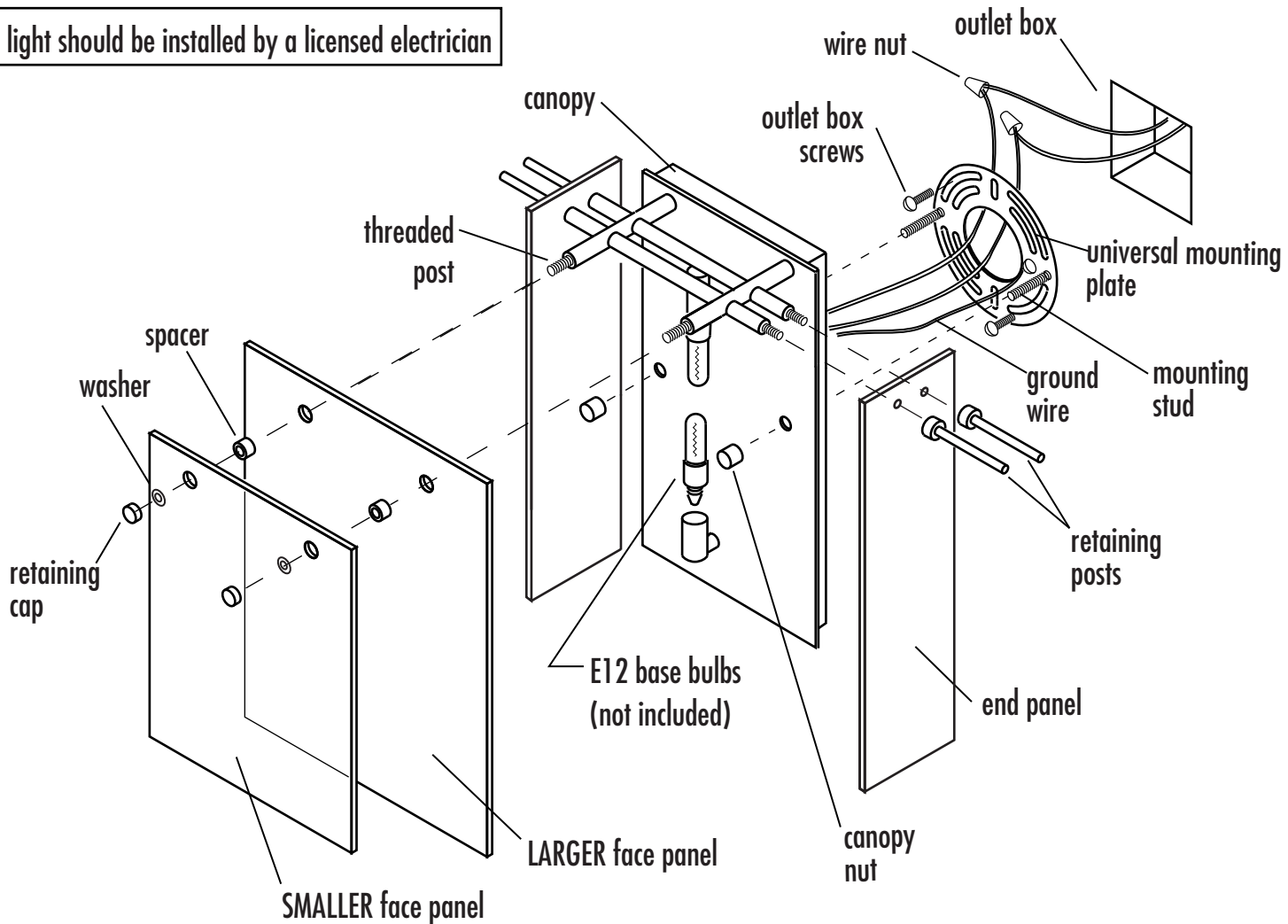


This light should be installed by a licensed electrician



LAMP INSTALLATION & ASSEMBLY

1. Shut off power to outlet box.
2. Unscrew canopy nuts and remove universal mounting plate from canopy. Attach the mounting plate to the outlet box using outlet box screws.
3. Make appropriate electrical connections using wire nuts. The bare wire is the ground wire and must be connected to a grounding terminal or a ground wire in the outlet box. It is important that these connections are well insulated to prevent short circuits. Place connections in outlet box.
4. Secure canopy over the outlet box with canopy nuts.
5. Install E12 candelabra base bulbs (not included). A frosted bulb is preferred.
6. Carefully place end panels on fixture and secure with retaining posts.
7. Remove the retaining cap and the spacer from each of the threaded posts on the front of the fixture.
8. Carefully place the LARGER face panel on the fixture.
9. Place the two spacers on the two posts.
10. Carefully place the SMALLER face panel on the fixture.
11. Secure the panels with the four retaining caps and washers. **DO NOT OVERTIGHTEN** - the glass may crack.