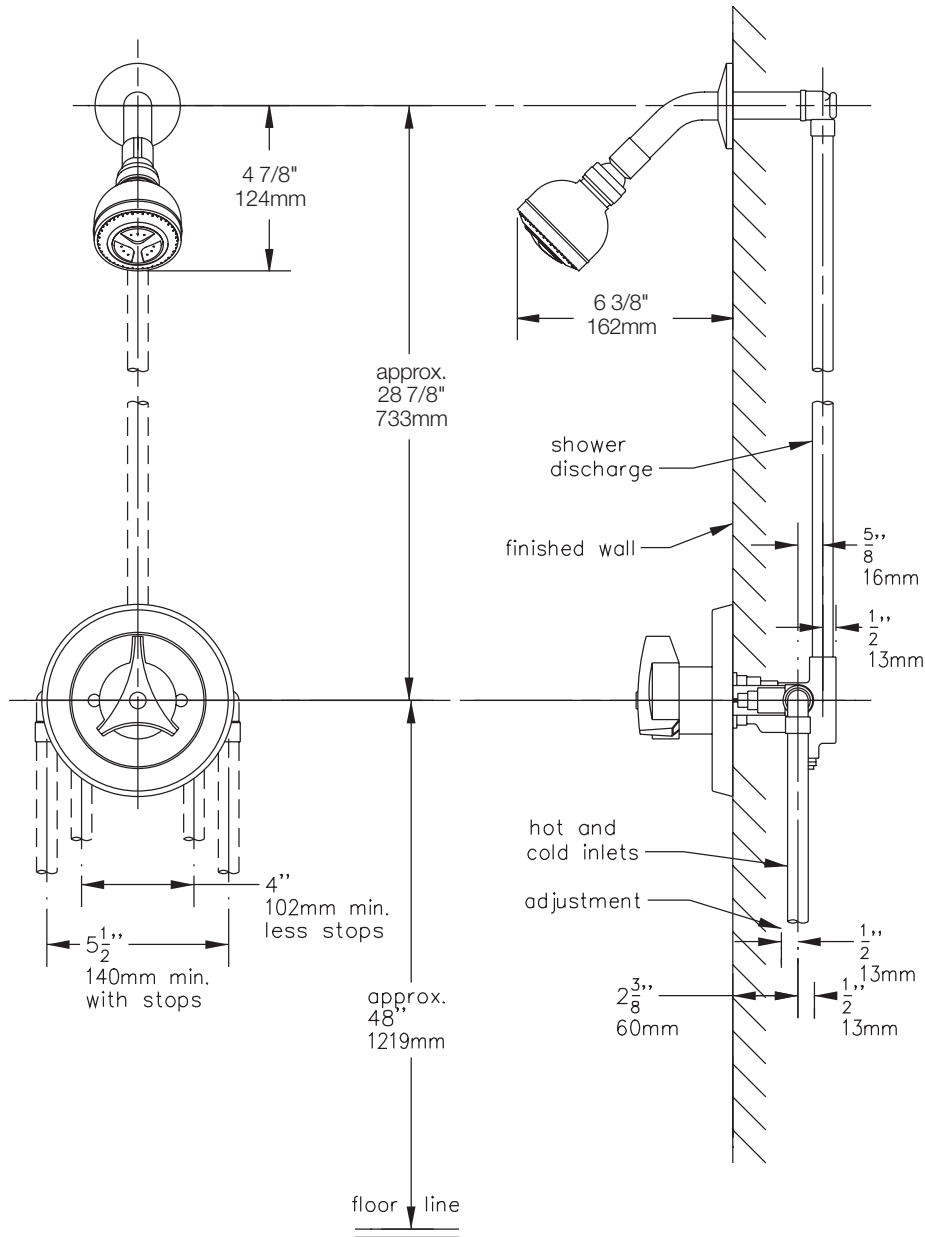


96-1

Temptrol® Pressure-Balancing mixing valve with adjustable stop screw to limit handle turn. Clear-Flo shower head with arm and flange.

Suffix X: Integral service stops—allows water shut-off at valve for service



This drawing to be used for rough-in installation only. All floor to center dimensions optional. Concealed piping and fittings not furnished by manufacturer. For ADA compliance (Americans with Disabilities Act) consult ADAAG or your state regulations for proper product choice and mounting locations. For complete installation, adjustment and service information see installation instructions.

Symmons® INDUSTRIES, INC.

31 Brooks Drive, Braintree, MA 02184-3804

Tel: 1-800-SYMMONS, (781) 848-2250 Fax: 1-800-961-9621, (781) 843-3849

Web site: www.symmons.com © 2003 Symmons Industries, Inc. 110603