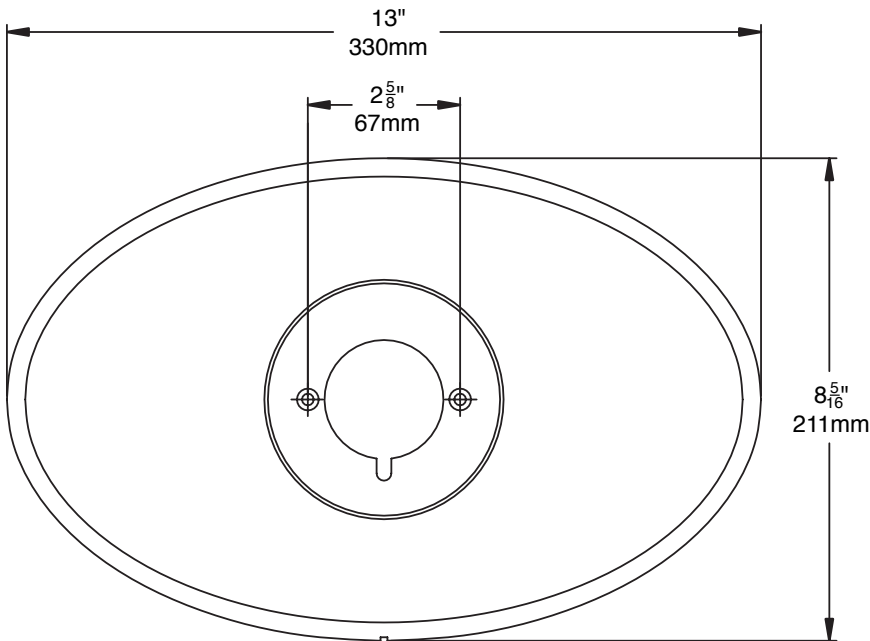
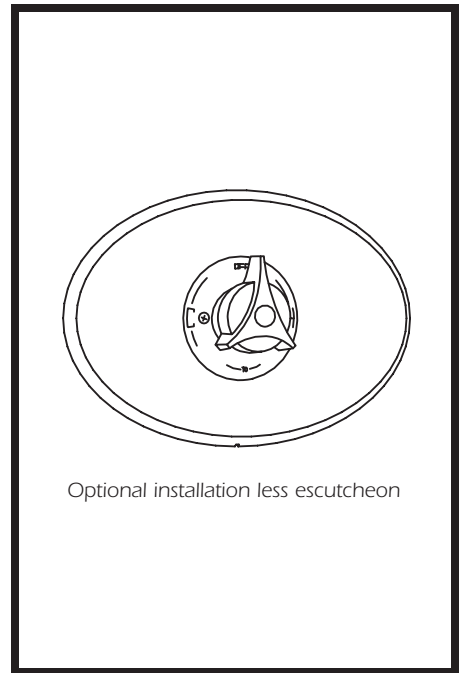


RC Remodel Cover Plate

Use to convert single, two, or three handle shower or tub/shower fittings to a Temptrol® series pressure-balancing valve. Can be used on fiberglass or tiled walls. Does not require any tile work. Use with applicable Temptrol series shower or tub/shower valve. Plate can be installed with or without escutcheon on certain models. Contact factory for information on specific models. **(Temptrol tub/shower valve not included.)**



Job/Location

.....
.....

Engineer

.....
.....

Contractor

.....
.....

SYMMONS INDUSTRIES, INC.
31 Brooks Drive, Braintree, MA 02184-3804
TEL: 1-800-SYMMONS, (781) 848-2250 FAX: 1-800-961-9621, (781) 843-3849
Web site: www.symmons.com

