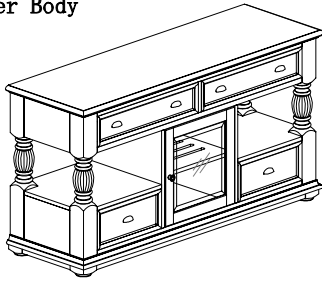


Components and Hardware List

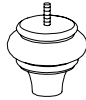
Server Body



(A)

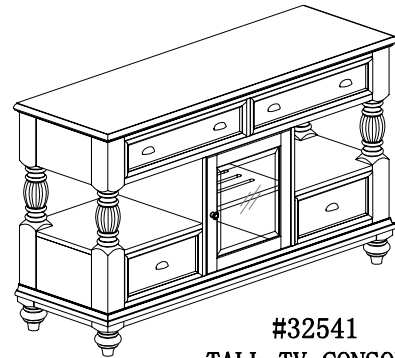
1 pc.

Bun Foot



(B)

4 pcs.



#32541
TALL TV CONSOLE

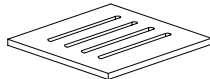
Support Leg



(C)

1 pc.

Adjustable Shelf



(D)

1 pc.

Shelf Pins



(E)

4 pcs.

Anti-tipping Restraint



(F)

1 pc.

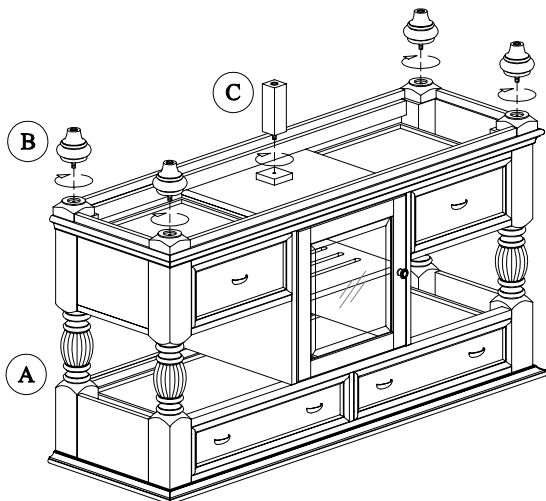
Be sure to check all packing material carefully for small parts, which may have come loose inside the carton during shipment.

ASSEMBLY STEP:

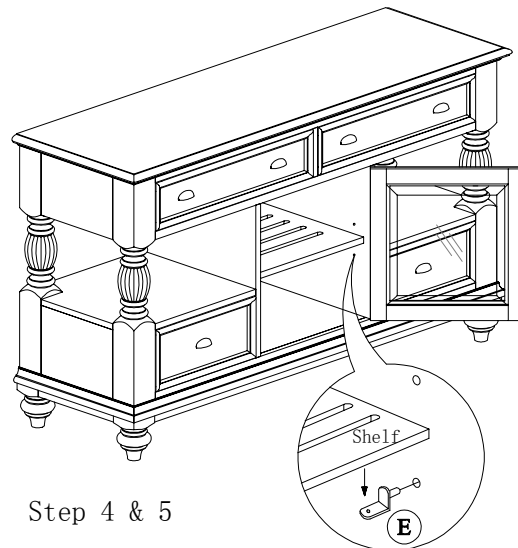
1. Carefully place the Server upside down on a soft, clean surface.
2. Assemble the 4 Bun feet on the bottom corners as shown.
3. Assemble the Support Leg underneath the middle of the Server as shown.
4. Using two people, carefully set the Server upright.
5. Insert the Shelf Pins (E) into the desired level of holes and place the Adjustable Shelf (D) on the pins.

There are levelers located in the bottom of the Bun Feet and center Support Leg which can be adjusted to compensate for uneven flooring if needed.

If this Console will be used with a TV, an anti-tipping restraint has been included which can be used to help minimize the risk of tipping forward, if used.



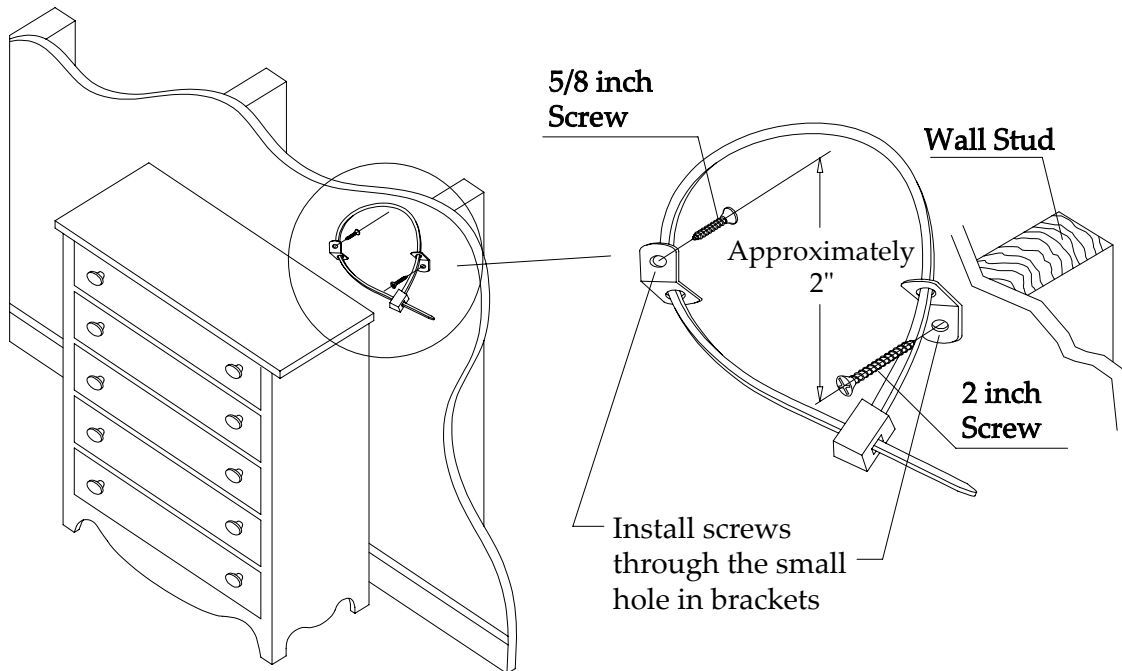
Step 1, 2, 3



Step 4 & 5

Anti-Tip Hardware Installation Instructions

Notice: In homes where small children may be present, Riverside Furniture Corp. recommends that steps be taken for certain furniture items to prevent or minimize the risk of tip-over. This furniture is equipped with Tip-over Restraint Hardware for use to minimize this risk, if used. Please follow below installation steps. Riverside Furniture Corp. recommends that parents and guardians periodically visit the U.S. Consumer Product Safety Commission (CPSC) website at <http://www.cpsc.gov/> and stay up to date on all issues related to children's product safety.



1. Temporarily locate the furniture to near it's final location in the room next to a wall. Locate a wall stud behind your furniture and also mark the stud's location on the back of your furniture.
2. Firmly attach one bracket to the stud approximately 2" below the top of the furniture with the **2 inch long** Wood Screws provided. It may be necessary to drill 3/32 dia. pilot holes for the screws.
3. Firmly attach the other bracket onto a solid, structural part on the back of the furniture using the **5/8 inch long** Wood Screws. It may also be necessary to pilot bore for these screws.
4. Move the furniture into its final position, taking care to line up the wall bracket with the furniture bracket. Thread a strap through the bracket as shown in the illustration. Tighten strap until snug but do not over tighten.

Caution: Riverside Furniture Corp. assumes no liability for improper installation or excessive loads placed on screws, brackets or straps. Failure to detach this restraint before moving furniture may result in personal injury and property damage.

Warning: This tip-over restraint is not to be a substitute for proper adult supervision. Do not allow children to climb on furniture. Items left on top of the TV and furniture, such as toys, remote controls and treats might tempt young children to climb. Push the TV as far back as possible from the front of its stand. Place electrical cords out of a child's reach, and teach children not to play with the cords.