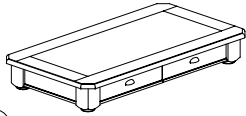


Components and Hardware List

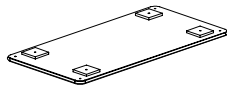
Table Top



(A)

1 pc.

Bottom Shelf



(B)

1 pc.

Post



(C)

4 pcs.

Base Foot



(D)

4 pcs.

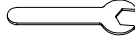
Castor



(E)

4 pcs.

12mm Wrench



(F)

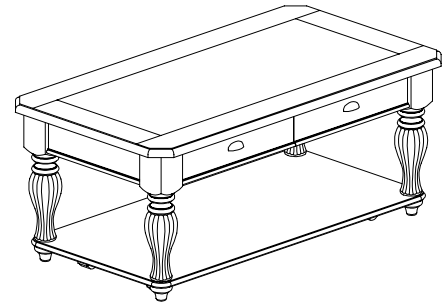
1 pc.

M⁵/₁₆" Flat Washer



(G)

4 pcs.



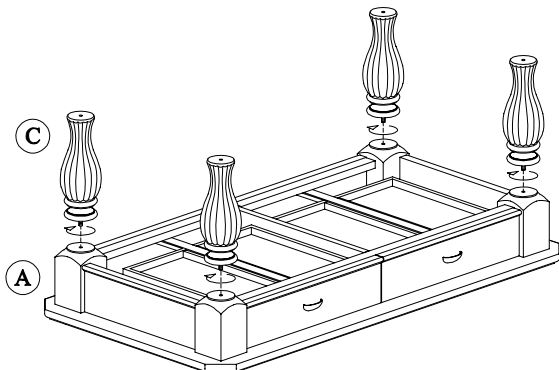
#32502 & #32402
RECTANGULAR COCKTAIL TABLE

Be sure to check all packing material carefully for small parts, which may have come loose inside the carton during shipment.

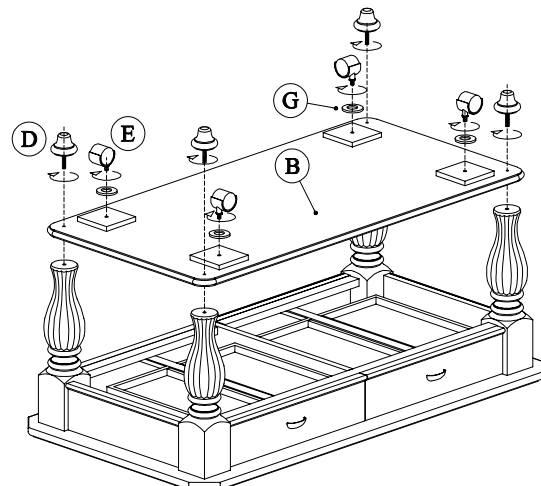
ASSEMBLY STEPS:

- Carefully place the Table Top upside down on a clean, soft surface such as a blanket or carpet.
- Attach a Post to the corner of the Table Top and tighten hand tight.
- Attach the Bottom Shelf to the bottom of the Posts using the Base Foot (D), tightened hand tight.
- If desired, attach the Casters (E) to the bottom of the Bottom Shelf (B). Tighten with the Wrench (F).

Carefully set the assembled table upright.



Step 1 & 2



Step 3 & 4