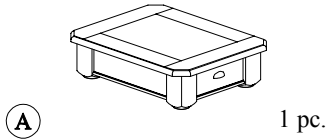
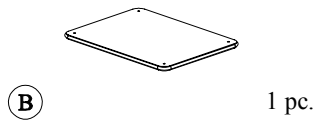


### Components and Hardware List

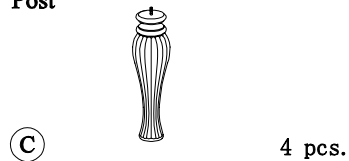
#### Table Top



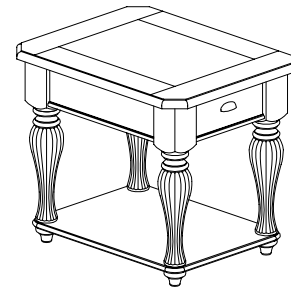
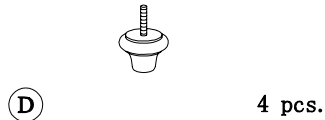
#### Bottom Shelf



#### Post



#### Base Foot



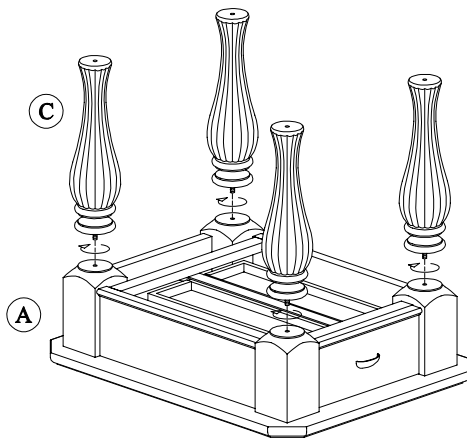
#32509 & #32409  
RECTANGULAR END TABLE

Be sure to check all packing material carefully for small parts, which may have come loose inside the carton during shipment.

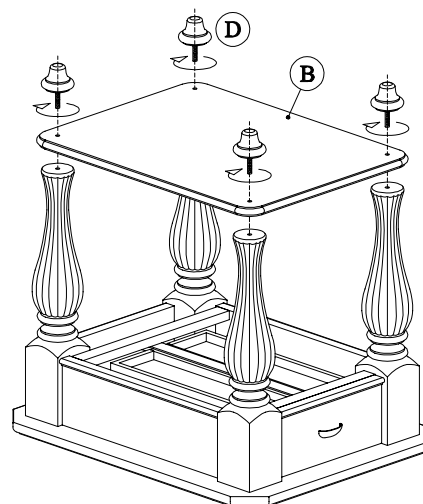
#### ASSEMBLY STEPS:

- Carefully place the Table Top upside down on a clean, soft surface such as a blanket or carpet.
- Attach a Post to the corner of the Table Top and tighten hand tight.
- Attach the Bottom Shelf to the bottom of the Posts using the Base Foot (D), tightened hand tight.

Carefully set the assembled table upright.



Step 1 & 2



Step 3