







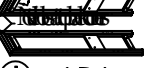
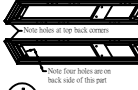




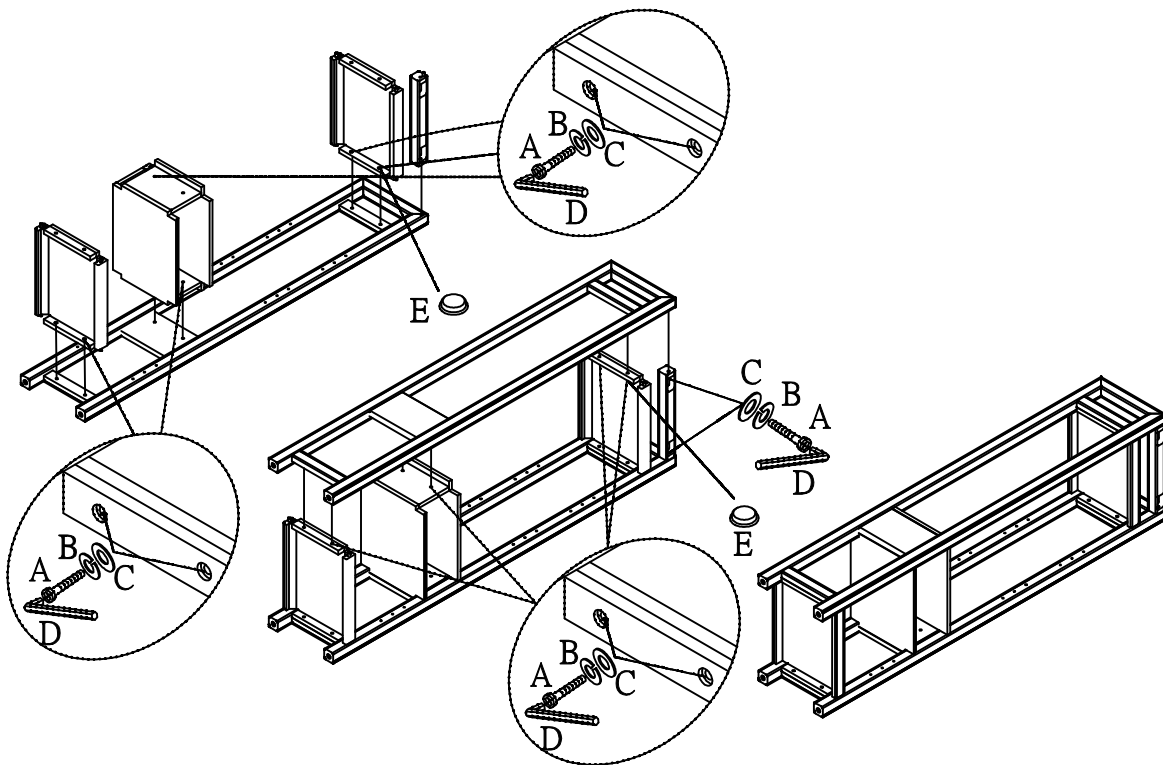
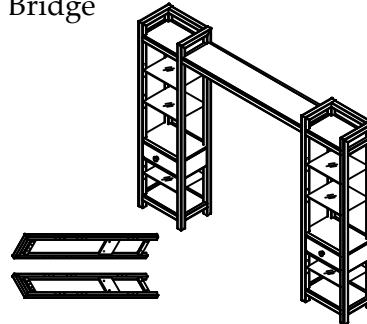


### Parts List

<b>M1/4 x 1 1/4" Allen Head Bolt</b>  <b>(A) 32 pcs</b>	<b>1/4" Spring Washer</b>  <b>(B) 32 pcs</b>	<b>1/4" Flat Washer</b>  <b>(C) 32 pcs</b>	<b>4mm Allen Wrench</b>  <b>(D) 1 pc</b>	<b>Plastic Cap</b>  <b>(E) 12 pcs</b>
<b>Top and Bottom Wood Frame</b>  <b>(F) 4 pcs</b>	<b>Center Drawer Box</b>  <b>(G) 2 pcs</b>	<b>Top Back Rail</b>  <b>(H) 2 pcs</b>	<b>End Frames For Left Pier</b>  <small>Note: four holes are on back side of this part</small> <b>(I) 1 Pair</b>	<b>End Frames For Right Pier</b>  <small>Note: holes at top back corners</small> <small>Note: four holes are on back side of this part</small> <b>(J) 1 Pair</b>
<b>Shelf Pins</b>  <b>(K) 24 pcs</b>	<b>Shelf Glass</b>  <b>(L) 6 pcs</b>	<b>Bridge</b>  <b>(M) 1 pc</b>	<b>Anti-Tipping Restraint</b>  <b>(N) 2 pcs</b>	<p><b>Be sure to check all packing material carefully for small parts, which may have come loose inside the carton during shipment.</b></p>

### 61091-Left and Right Facing Piers & Bridge

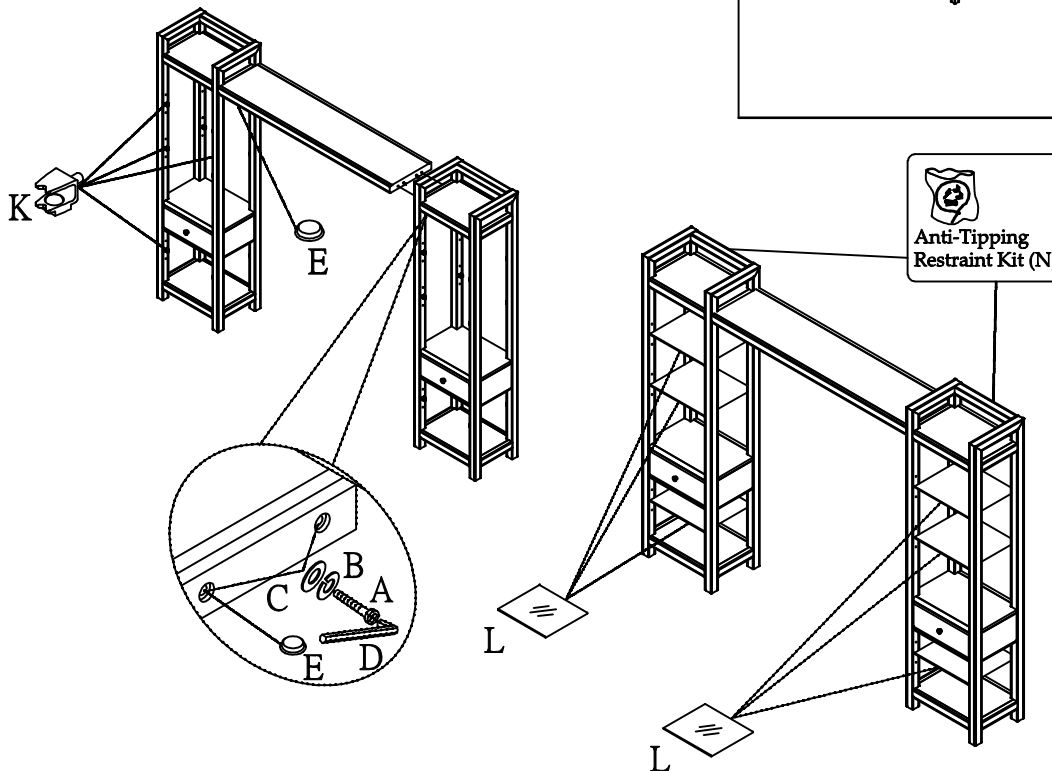
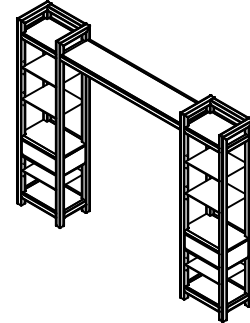


#### ASSEMBLY STEPS :

Pay special attention that the Piers will be assembled to be used as a Left-Hand Pier or a Right-Hand Pier.

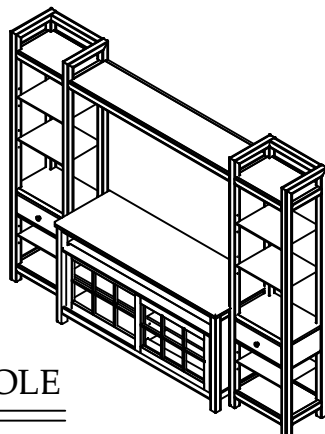
1. Place the Left Pier's End Frames (I) on a clean and soft surface.
2. Assemble the Top and Bottom Frames (F), the Top Back Rail (H) and the Center Drawer Box (G) to the End Frames (I) using the Allen Head Bolts (A), Spring Washers (B) and Flat Washers (C). Do not fully tighten any bolts until the Pier is completely assembled. Please notice the front and back edge of these parts during assembling. Repeat for other Pier. After verifying the units are assembled correctly tighten all bolts using the Allen Wrench (D).
3. Please cover the Plastic Cap (E) to the inside holes of the top frame. Carefully set the Piers upright.

### 61091-Left and Right Facing Piers & Bridge



4. With 2 people, assemble the Bridge (M) between the Left and Right Piers using the Allen Head Bolts (A), Spring Washers (B) and Flat Washers (C). Tighten with the Allen Wrench (D). Then use the Plastic Cap (E) to cover the holes.

5. In the upper and lower sections of the Piers, insert the Shelf Pins (K) into the holes on the end frames. Install the Glass Shelves (L). Secure the Glass Shelves by tightening the screw in the bottom of the Shelf Pins using your Phillips screwdriver.

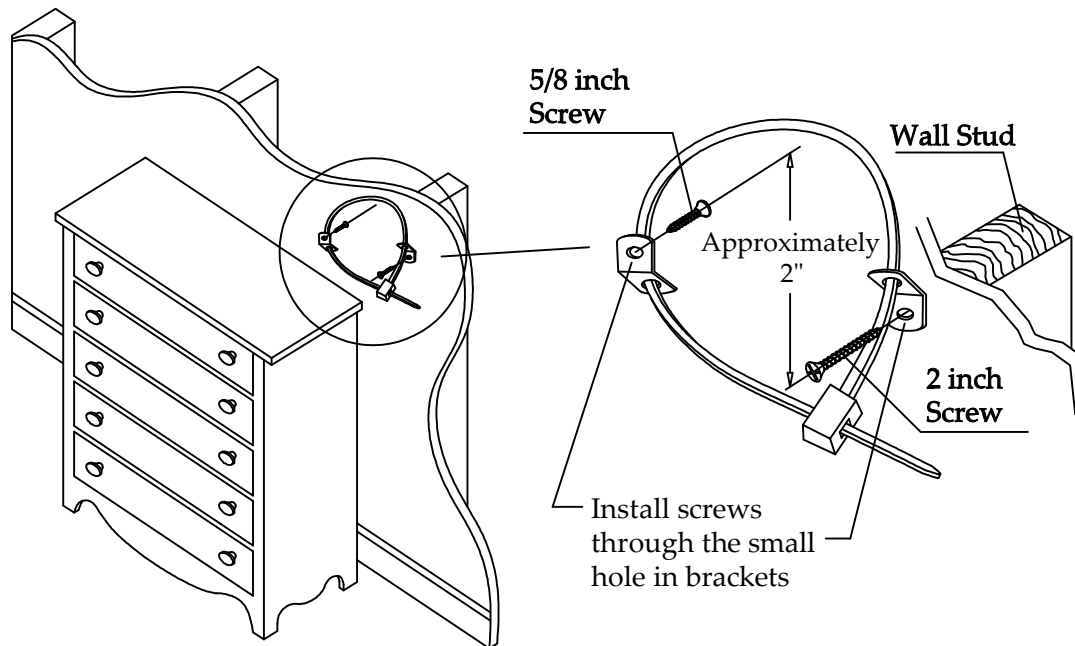


The Avenue Piers and Bridge can be set-up and used as an Entertainment Wall, using the TV Console.

61093-TV CONSOLE

## Anti-Tip Hardware Installation Instructions

Notice: In homes where small children may be present, Riverside Furniture Corp. recommends that steps be taken for certain furniture items to prevent or minimize the risk of tip-over. This furniture is equipped with Tip-over Restraint Hardware for use to minimize this risk, if used. Please follow below installation steps. Riverside Furniture Corp. recommends that parents and guardians periodically visit the U.S. Consumer Product Safety Commission (CPSC) website at <http://www.cpsc.gov/> and stay up to date on all issues related to children's product safety.



1. Temporarily locate the furniture to near it's final location in the room next to a wall. Locate a wall stud behind your furniture and also mark the stud's location on the back of your furniture.
2. Firmly attach one bracket to the stud approximately 2" below the top of the furniture with the **2 inch long** Wood Screws provided. It may be necessary to drill 3/32 dia. pilot holes for the screws.
3. Firmly attach the other bracket onto a solid, structural part on the back of the furniture using the **5/8 inch long** Wood Screws. It may also be necessary to pilot bore for these screws.
4. Move the furniture into its final position, taking care to line up the wall bracket with the furniture bracket. Thread a strap through the bracket as shown in the illustration. Tighten strap until snug but do not over tighten.

**Caution:** Riverside Furniture Corp. assumes no liability for improper installation or excessive loads placed on screws, brackets or straps. Failure to detach this restraint before moving furniture may result in personal injury and property damage.

**Warning:** This tip-over restraint is not to be a substitute for proper adult supervision. Do not allow children to climb on furniture. Items left on top of the TV and furniture, such as toys, remote controls and treats might tempt young children to climb. Push the TV as far back as possible from the front of its stand. Place electrical cords out of a child's reach, and teach children not to play with the cords.