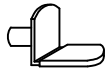


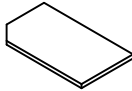
## Components and Hardware List

Shelf Pin



**(A)** 4 pcs.

Wood Shelf

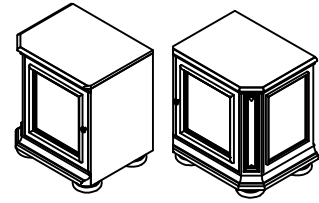


**(B)** 1 pc.

Bun Foot  
W/ Leveler



**(C)** 4 pcs.

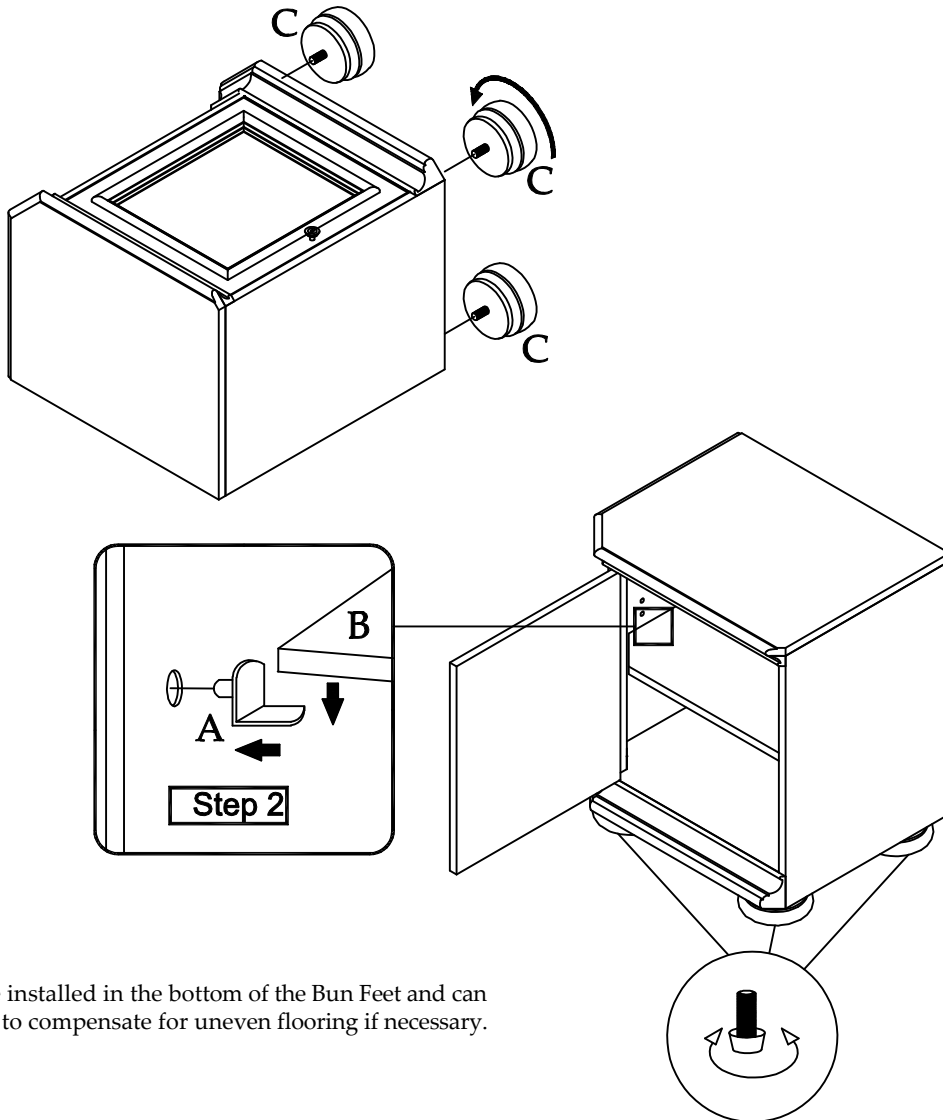


4945 / 8945 L/H Pier-Base  
4947 / 8947 R/H Pier-Base

**Step 1:** Place the Pier Base on it's back on a clean, soft surface such as a blanket or carpet. Assemble the four Bun Feet (C) onto the bottom. Set the unit upright.

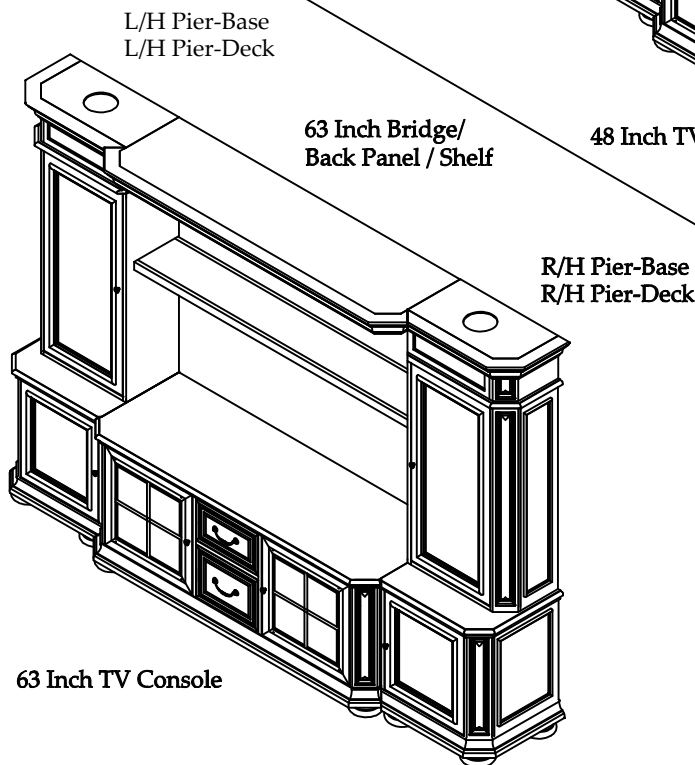
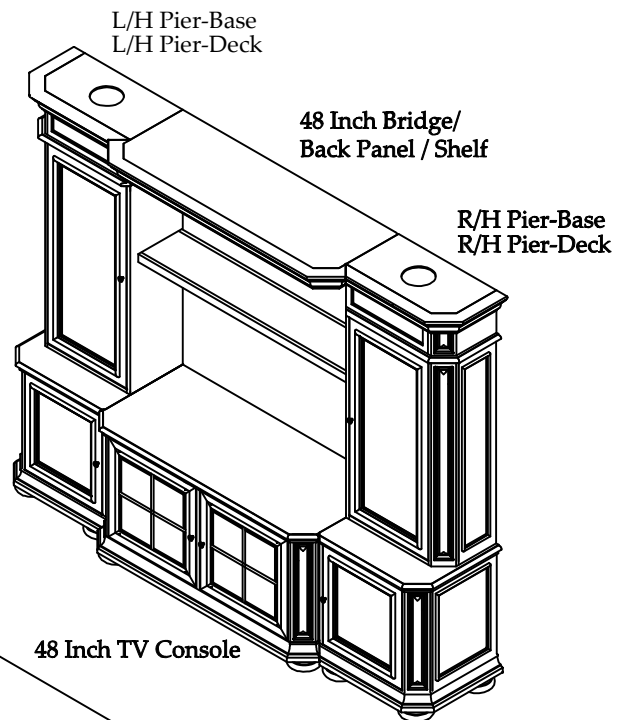
**Note:** *Step #2 below (installing shelves) should only be performed as one of the final steps for setting up the entire wall system, once all cabinets have been moved to their final locations and connected together.*

**Step 2:** Open the door, insert Shelf pins (A) into holes in side panels at the desired locations, then place Wood Shelf (B) on the Shelf pins.



Levelers are installed in the bottom of the Bun Feet and can be adjusted to compensate for uneven flooring if necessary.

Product No.	Specie	Product Description	Product No.	Specie	Product Description
4945	Cherry	L/H Pier-Base	8945	Oak	L/H Pier-Base
4946	Cherry	L/H Pier-Deck	8946	Oak	L/H Pier-Deck
4947	Cherry	R/H Pier-Base	8947	Oak	R/H Pier-Base
4948	Cherry	R/H Pier-Deck	8948	Oak	R/H Pier-Deck
4940	Cherry	48 Inch TV Console	8940	Oak	48 Inch TV Console
4941	Cherry	48 Inch Bridge/Back Panel/Shelf	8941	Oak	48 Inch Bridge/Back Panel/Shelf
4943	Cherry	63 Inch TV Console	8943	Oak	63 Inch TV Console
4944	Cherry	63 Inch Bridge/Back Panel/Shelf	8944	Oak	63 Inch Bridge/Back Panel/Shelf



Please read all instructions for individual units for detailed instructions before beginning assembly.

In homes where small children may be present, the Consumer Product Safety Commission (CPSC) recommends that steps be taken for certain furniture items to prevent or minimize the risk of tipover. Certain pieces of Riverside furniture are equipped with Safety Bracket Hardware for use to minimize this risk.

**Caution:** These restraints are only a deterrent and do not constitute a guarantee against tip-over. This product is not to be a substitute for proper parental supervision. Please refer to the instructions printed on the furniture restraint package for proper installation instructions. Any damage to the furniture as a result of improper installation of these restraints will be the responsibility of the owner, not Riverside Furniture Corp. or its retailers. Such damage is not covered under the Riverside Furniture Corp.'s Warranty. Riverside Furniture assumes no liability for improper installation or excessive loads placed on screws, brackets or straps.

**To help prevent tip-over hazards, the United States Consumer Product Safety Commission offers the following safety tips:**

- Y* **Verify that furniture is stable on its own. For added security, anchor to the floor or attach to the wall all entertainment units, TV stands, bookcases, shelving and bureaus to the wall using appropriate hardware, such as brackets, screws, or toggles.**
- Y* **Place televisions on sturdy furniture appropriate for the size of the TV or on a low-rise base.**
- Y* **Push the TV as far back as possible from the front of its stand.**
- Y* **Place electrical cords out of a child's reach, and teach children not to play with the cords.**
- Y* **Remove items that might tempt kids to climb, such as toys and remote controls, from the top of the TV and furniture.**

### **General Assembly Instructions**

**Step A:** If anti-tipping hardware will be used, temporarily move Piers to near their final location in the room, allowing appropriate space between Piers for the Bridge. Determine the proper mounting location and install the anti-tip hardware to the top back of the units and onto the wall. Do not install the connecting strap until the last step.

**Step B:** Install hardware to the back of the Piers that is used to attach the back panels.

**Step C:** Position left and right Piers in approximate final location, allowing appropriate space between Piers for the TV Console and Bridge.

**Step D:** Install Bridge between top of Piers but do not fully tighten connecting bolts.

**Step E:** Install Back Panels.

**Step F:** Move TV Console into position between Piers, taking care not to bump or scratch units.

**Step G:** Gently move Piers against TV Console and install Connecting Bolts, if applicable. Tighten bolts connecting Bridge to the top of the Pier Cabinets.

**Step H:** Install the Shelf between the Piers.

**Step I:** Install the Connecting Strap for the Anti-Tipping Restraints.