
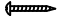



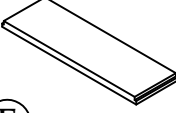
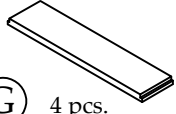
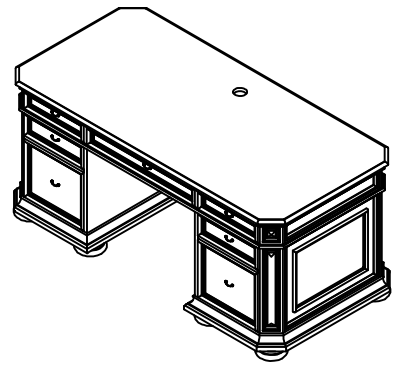


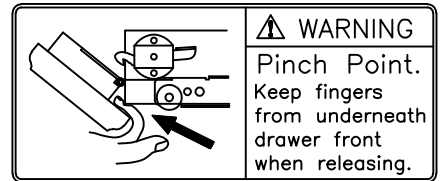
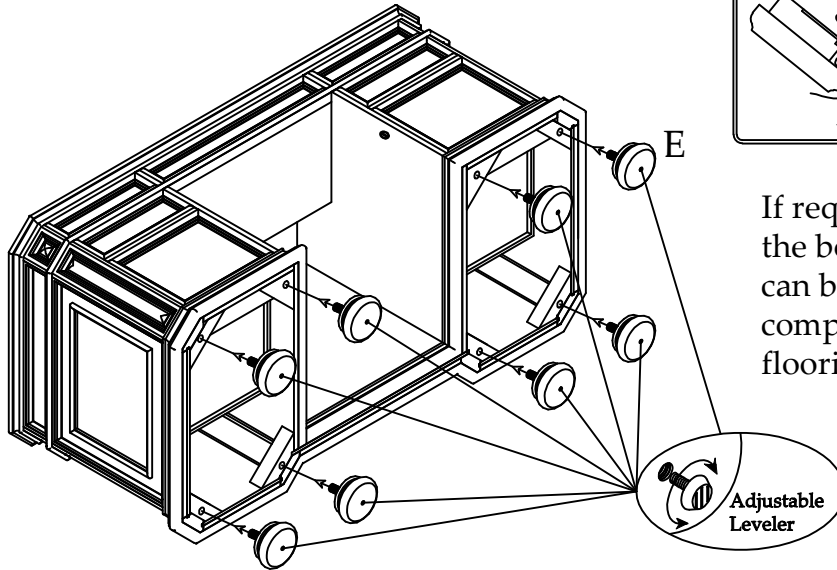
Made in China

### Components and Hardware List

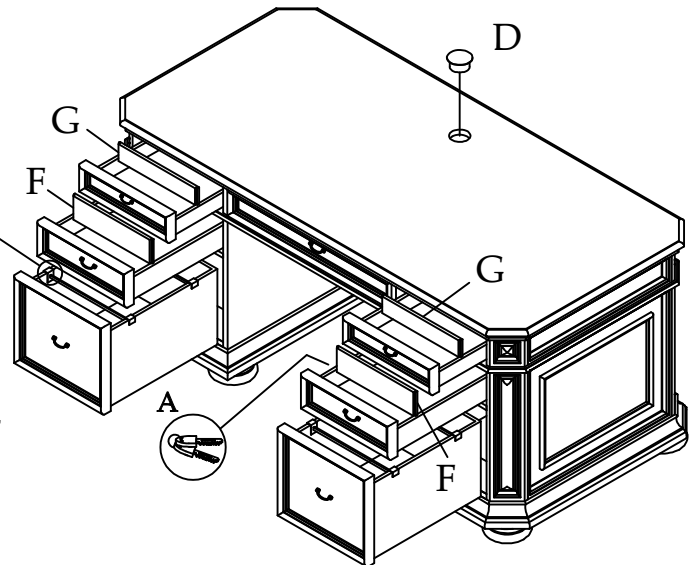
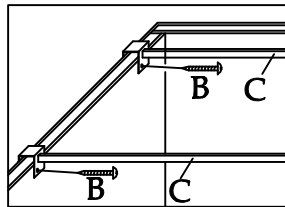
<p>Key</p>  <p>(A) 1 Set.</p>	<p>1/2" Wood Screw</p>  <p>(B) 8 pcs.</p>	<p>File rod</p>  <p>(C) 4 pcs.</p>	<p>Grommet</p>  <p>(D) 1 pc.</p>
<p>Bun Foot W/ Leveler</p>  <p>(E) 8 pcs.</p>	<p>Drawer Divider</p>  <p>(F) 4 pcs.</p>	<p>Top Drawer Divider</p>  <p>(G) 4 pcs.</p>	



4932  
Executive Desk



If required, the levelers in the bottom of the bun feet can be adjusted to compensate for uneven flooring, if required.



The File drawer may be set up to use either letter or legal size file folders using the File Rods supplied. Attaching the File Rods to the drawer sides using the wood screws is optional.